



SPLIT-TYPE ROOM AIR CONDITIONER

Owner's Manual & Installation Manual



MODEL:IDUMSEPC-18HRFN1MU0W
IDUMSEPD-24HRFN1MU0W



IMPORTANT NOTE:

Read this manual and SAFETY MANUAL(if any) carefully before installing or operating your new air conditioning unit. Make sure to save this manual for future reference.

Please check the applicable models, technical data, F-GAS(if any) and manufacturer information from the "Owner's Manual - Product Fiche " in the packaging of the outdoor unit (European Union products only) or in the packaging of the indoor unit (model dependent)

Table of Contents

Safety Precautions	04
---------------------------------	-----------

Owner's Manual

Unit Specifications and Features.....	08
--	-----------

1. Indoor unit display.....	08
-----------------------------	----

2. Operating temperature.....	09
-------------------------------	----

3. Other features	10
-------------------------	----

4. Setting angle of airflow.....	11
----------------------------------	----

5. Manual operation (without Remote).....	11
---	----

Care and Maintenance.....	12
----------------------------------	-----------

Troubleshooting.....	14
-----------------------------	-----------

Installation Manual

Accessories.....	17
Installation Summary - Indoor Unit	18
Unit Parts.....	19
Indoor Unit Installation.....	20
1. Select installation location.....	20
2. Attach mounting plate to wall.....	20
3. Drill wall hole for connective piping.....	21
4. Prepare refrigerant piping.....	22
5. Connect drain hose.....	24
6. Connect signal and power cables.....	25
7. Wrap piping and cables.....	26
8. Mount indoor unit.....	27
Outdoor Unit Installation.....	27
1. Select installation location.....	27
2. Install drain joint.....	28
3. Anchor outdoor unit.....	28
4. Connect signal and power cables.....	30
Refrigerant Piping Connection.....	31
A. Note on Pipe Length.....	31
B. Connection Instructions –Refrigerant Piping.....	31
1. Cut pipe.....	31
2. Remove burrs.....	32
3. Flare pipe ends.....	32
4. Connect pipes.....	32
Air Evacuation.....	34
1. Evacuation Instructions.....	34
2. Note on Adding Refrigerant.....	35
Electrical and Gas Leak Checks.....	36
Test Run.....	37
Packing and unpacking the unit	38

Safety Precautions

Read Safety Precautions Before Operation and Installation

Incorrect installation due to ignoring instructions can cause serious damage or injury.

The seriousness of potential damage or injuries is classified as either a **WARNING** or **CAUTION**.



WARNING

This symbol indicates the possibility of personnel injury or loss of life.



CAUTION

This symbol indicates the possibility of property damage or serious consequences.



WARNING

This appliance can be used by children aged from 8 years and above and persons with reduced physical, sensory or mental capabilities or lack of experience and knowledge if they have been given supervision or instruction concerning use of the appliance in a safe way and understand the hazards involved. Children shall not play with the appliance. Cleaning and user maintenance shall not be made by children without supervision (European Union countries).

This appliance is not intended for use by persons (including children) with reduced physical, sensory or mental capabilities, or lack of experience and knowledge, unless they have been given supervision or instruction concerning use of the appliance by a person responsible for their safety. Children should be supervised to ensure that they do not play with the appliance.



WARNINGS FOR PRODUCT USE

- If an abnormal situation arises (like a burning smell), immediately turn off the unit and disconnect the power. Call your dealer for instructions to avoid electric shock, fire or injury.
- **Do not** insert fingers, rods or other objects into the air inlet or outlet. This may cause injury, since the fan may be rotating at high speeds.
- **Do not** use flammable sprays such as hair spray, lacquer or paint near the unit. This may cause fire or combustion.
- **Do not** operate the air conditioner in places near or around combustible gases. Emitted gas may collect around the unit and cause explosion.
- **Do not** operate your air conditioner in a wet room such as a bathroom or laundry room. Too much exposure to water can cause electrical components to short circuit.
- **Do not** expose your body directly to cool air for a prolonged period of time.
- **Do not** allow children to play with the air conditioner. Children must be supervised around the unit at all times.
- If the air conditioner is used together with burners or other heating devices, thoroughly ventilate the room to avoid oxygen deficiency.
- In certain functional environments, such as kitchens, server rooms, etc., the use of specially designed air-conditioning units is highly recommended.

CLEANING AND MAINTENANCE WARNINGS

- Turn off the device and disconnect the power before cleaning. Failure to do so can cause electrical shock.
- **Do not** clean the air conditioner with excessive amounts of water.
- **Do not** clean the air conditioner with combustible cleaning agents. Combustible cleaning agents can cause fire or deformation.

 **CAUTION**

- Turn off the air conditioner and disconnect the power if you are not going to use it for a long time.
- Turn off and unplug the unit during storms.
- Make sure that water condensation can drain unhindered from the unit.
- **Do not** operate the air conditioner with wet hands. This may cause electric shock.
- **Do not** use device for any other purpose than its intended use.
- **Do not** climb onto or place objects on top of the outdoor unit.
- **Do not** allow the air conditioner to operate for long periods of time with doors or windows open, or if the humidity is very high.

 **ELECTRICAL WARNINGS**

- Only use the specified power cord. If the power cord is damaged, it must be replaced by the manufacturer, its service agent or similarly qualified persons in order to avoid a hazard.
- Keep power plug clean. Remove any dust or grime that accumulates on or around the plug. Dirty plugs can cause fire or electric shock.
- **Do not** pull power cord to unplug unit. Hold the plug firmly and pull it from the outlet. Pulling directly on the cord can damage it, which can lead to fire or electric shock.
- **Do not** modify the length of the power supply cord or use an extension cord to power the unit.
- **Do not** share the electrical outlet with other appliances. Improper or insufficient power supply can cause fire or electrical shock.
- The product must be properly grounded at the time of installation, or electrical shock may occur.
- For all electrical work, follow all local and national wiring standards, regulations, and the Installation Manual. Connect cables tightly, and clamp them securely to prevent external forces from damaging the terminal. Improper electrical connections can overheat and cause fire, and may also cause shock. All electrical connections must be made according to the Electrical Connection Diagram located on the panels of the indoor and outdoor units.
- All wiring must be properly arranged to ensure that the control board cover can close properly. If the control board cover is not closed properly, it can lead to corrosion and cause the connection points on the terminal to heat up, catch fire, or cause electrical shock.
- If connecting power to fixed wiring, an all-pole disconnection device which has at least 3mm clearances in all poles, and have a leakage current that may exceed 10mA, the residual current device(RCD) having a rated residual operating current not exceeding 30mA, and disconnection must be incorporated in the fixed wiring in accordance with the wiring rules.

TAKE NOTE OF FUSE SPECIFICATIONS


The air conditioner's circuit board (PCB) is designed with a fuse to provide overcurrent protection. The specifications of the fuse are printed on the circuit board ,such as : T3.15AL/250VAC, T5AL/250VAC, T3.15A/250VAC, T5A/250VAC, T20A/250VAC, T30A/250VAC,etc.
NOTE: For the units using R32 or R290 refrigerant , only the blast-proof ceramic fuse can be used.

UV-C lamp(Applicable to the unit contains an UV-C lamp only)

This appliance contains a UV-C lamp. Read the maintenance instructions before opening the appliance.

1. Do not operate UV-C lamps outside of the appliance.
2. Appliances that are obviously damaged must not be operated.
3. Unintended use of the appliance or damage to the housing may result in the escape of dangerous UV-C radiation. UV-C radiation may, even in small doses, cause harm to the eyes and skin.

4. Before opening doors and access panels bearing the ULTRAVIOLET RADIATION hazard symbol for the conducting USER MAINTENANCE, it is recommended to disconnect the power.
5. The UV-C lamp can not be cleaned, repaired and replaced.
6. UV-C BARRIERS bearing the ULTRAVIOLET RADIATION hazard symbol should not be removed.

 **WARNING** This appliance contains an UV emitter. Do not stare at the light source.

WARNINGS FOR PRODUCT INSTALLATION

1. Installation must be performed by an authorized dealer or specialist. Defective installation can cause water leakage, electrical shock, or fire.
2. Installation must be performed according to the installation instructions. Improper installation can cause water leakage, electrical shock, or fire.
(In North America, installation must be performed in accordance with the requirement of NEC and CEC by authorized personnel only.)
3. Contact an authorized service technician for repair or maintenance of this unit. This appliance shall be installed in accordance with national wiring regulations.
4. Only use the included accessories, parts, and specified parts for installation. Using non-standard parts can cause water leakage, electrical shock, fire, and can cause the unit to fail.
5. Install the unit in a firm location that can support the unit's weight. If the chosen location cannot support the unit's weight, or the installation is not done properly, the unit may drop and cause serious injury and damage.
6. Install drainage piping according to the instructions in this manual. Improper drainage may cause water damage to your home and property.
7. For units that have an auxiliary electric heater, **do not** install the unit within 1 meter (3 feet) of any combustible materials.
8. **Do not** install the unit in a location that may be exposed to combustible gas leaks. If combustible gas accumulates around the unit, it may cause fire.
9. Do not turn on the power until all work has been completed.
10. When moving or relocating the air conditioner, consult experienced service technicians for disconnection and reinstallation of the unit.
11. How to install the appliance to its support, please read the information for details in "indoor unit installation" and "outdoor unit installation" sections .

Note about Fluorinated Gasses(Not applicable to the unit using R290 Refrigerant)

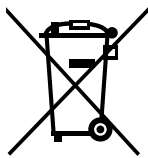
1. This air-conditioning unit contains fluorinated greenhouse gasses. For specific information on the type of gas and the amount, please refer to the relevant label on the unit itself or the "Owner's Manual - Product Fiche " in the packaging of the outdoor unit. (European Union products only).
2. Installation, service, maintenance and repair of this unit must be performed by a certified technician.
3. Product uninstallation and recycling must be performed by a certified technician.
4. For equipment that contains fluorinated greenhouse gases in quantities of 5 tonnes of CO₂ equivalent or more, but of less than 50 tonnes of CO₂ equivalent, If the system has a leak-detection system installed, it must be checked for leaks at least every 24 months.
5. When the unit is checked for leaks, proper record-keeping of all checks is strongly recommended.

WARNING for Using R32/R290 Refrigerant

- When flammable refrigerant are employed, appliance shall be stored in a well -ventilated area where the room size corresponds to the room area as specific for operation.
For R32 frigerant models:
Appliance shall be installed, operated and stored in a room with a floor area larger than 4m².
For R290 refrigerant models, appliance shall be installed, operated and stored in a room with a floor area larger than:
≤9000Btu/h units: 13m²
>9000Btu/h and ≤12000Btu/h units: 17m²
>12000Btu/h and ≤18000Btu/h units: 26m²
>18000Btu/h and ≤24000Btu/h units: 35m²
- Reusable mechanical connectors and flared joints are not allowed indoors. (**EN** Standard Requirements).
- Mechanical connectors used indoors shall have a rate of not more than 3g/year at 25% of the maximum allowable pressure. When mechanical connectors are reused indoors, sealing parts shall be renewed. When flared joints are reused indoors, the flare part shall be re-fabricated. (**UL** Standard Requirements)
- When mechanical connectors are reused indoors, sealing parts shall be renewed. When flared joints are reused indoors, the flare part shall be re-fabricated. (**IEC** Standard Requirements)
- Mechanical connectors used indoors shall comply with ISO 14903.

European Disposal Guidelines

This marking shown on the product or its literature, indicates that waste electrical and eletrical equipment should not be mixed with general household waste.



Correct Disposal of This Product (Waste Electrical & Electronic Equipment)

This appliance contains refrigerant and other potentially hazardous materials. When disposing of this appliance, the law requires special collection and treatment. **Do not** dispose of this product as household waste or unsorted municipal waste.

When disposing of this appliance, you have the following options:

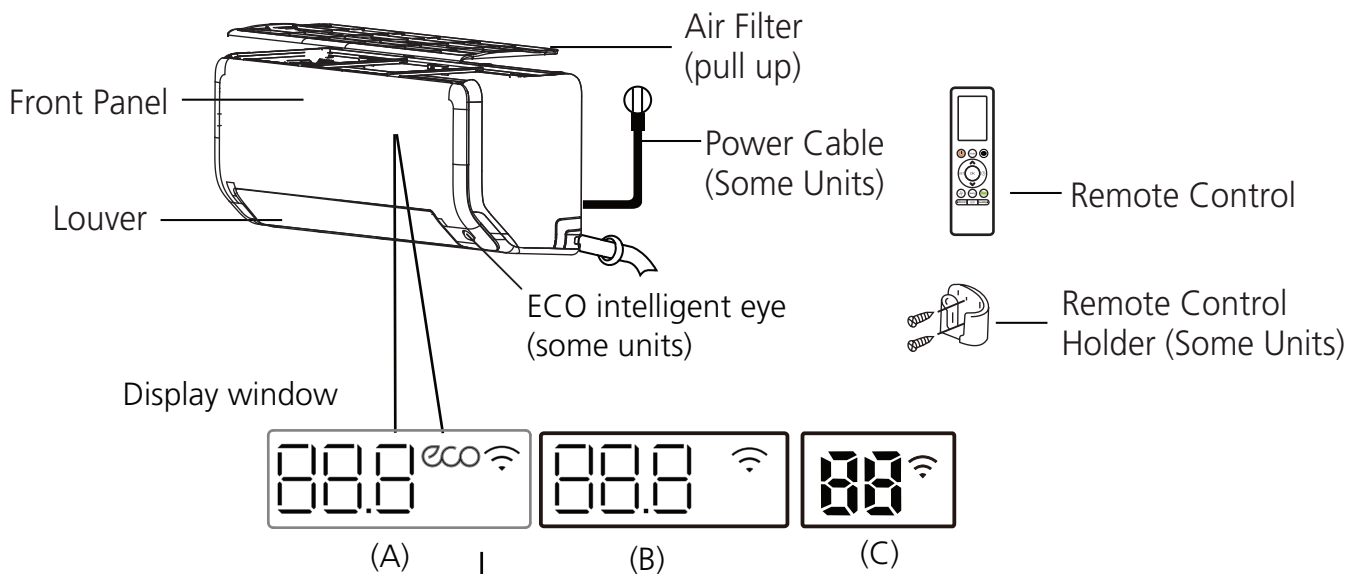
- Dispose of the appliance at designated municipal electronic waste collection facility.
- When buying a new appliance, the retailer will take back the old appliance free of charge.
- The manufacturer will take back the old appliance free of charge.
- Sell the appliance to certified scrap metal dealers.

Special notice

Disposing of this appliance in the forest or other natural surroundings endangers your health and is bad for the environment. Hazardous substances may leak into the ground water and enter the food chain.

Unit Specifications and Features

Indoor unit display



" 88.8 " "88" Displays temperature, operation feature and Error codes:

" 01 " for 3 seconds when:

- TIMER ON is set (if the unit is OFF, " 01 " remains on when TIMER ON is set)
- FRESH , UV-C lamp, SWING, TURBO , ECO, BREEZE AWAY, ECO INTELLIGENT EYE or SILENCE feature is turned on

" 0F " for 3 seconds when:

- TIMER OFF is set
- FRESH , UV-C lamp, SWING, TURBO , ECO, BREEZE AWAY, ECO INTELLIGENT EYE or SILENCE feature is turned off

" dF " when defrosting(for cooling & heating units)

" CL " when Active Clean feature is turned on(For Inverter split type)
when the Self clean feature is turned on (For fixed-speed type)

" FP " when 8°C(46°F) heating mode is turned on(some units)

" ECO " when ECO feature is activated(some units)

"  " when wireless control feature is activated(some units)

Display Code Meanings

NOTE: Different models have different front panel and display window. Not all the indicators describing below are available for the air conditioner you purchased. Please check the indoor display window of the unit you purchased.

Illustrations in this manual are for explanatory purposes. The actual shape of your indoor unit may be slightly different. The actual shape shall prevail.

Operating temperature

When your air conditioner is used outside of the following temperature ranges, certain safety protection features may activate and cause the unit to disable.

Inverter Split Type

	COOL mode	HEAT mode	DRY mode
Room Temperature	17°C - 32°C (62°F - 90°F)	0°C - 30°C (32°F - 86°F)	10°C - 32°C (50°F - 90°F)
Outdoor Temperature	0°C - 50°C (32°F - 122°F)	-15°C - 24°C (5°F - 75°F)	0°C - 50°C (32°F - 122°F)
	-15°C - 50°C (5°F - 122°F) (For models with low temp. cooling systems.)		
	0°C - 52°C (32°F - 126°F) (For special tropical models)		0°C - 52°C (32°F - 126°F) (For special tropical models)

FOR OUTDOOR UNITS WITH BASEPAN HEATER OR CRANKCASE HEATER

When outside temperature is below 0°C(32°F), we strongly recommend keeping the unit plugged in at all time to ensure smooth ongoing performance.

Fixed-speed Type

	COOL mode	HEAT mode	DRY mode
Room Temperature	17°C-32°C (62°F-90°F)	0°C-30°C (32°F-86°F)	10°C-32°C (50°F-90°F)
Outdoor Temperature	18°C-43°C (64°F-109°F)	-7°C-24°C (19°F-75°F)	11°C-43°C (52°F-109°F)
	-7°C-43°C (19°F-109°F) (For models with low-temp cooling systems)		18°C-43°C (64°F-109°F)
	18°C-52°C (64°F-126°F) (For special tropical models)		18°C-52°C (64°F-126°F) (For special tropical models)

NOTE: Room relative humidity less than 80%. If the air conditioner operates in excess of this figure, the surface of the air conditioner may attract condensation. Please sets the vertical air flow louver to its maximum angle (vertically to the floor), and set HIGH fan mode.

To further optimize the performance of your unit, do the following:

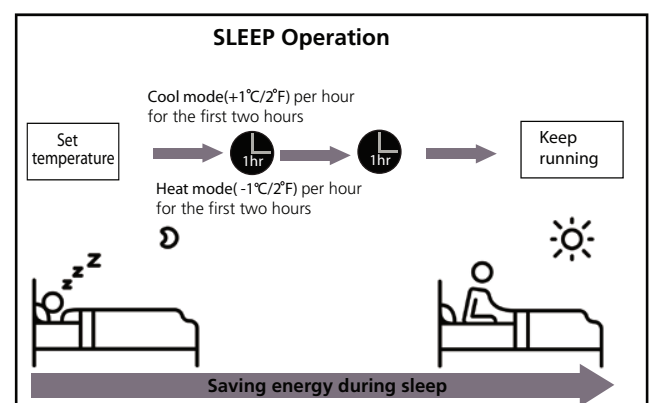
- Keep doors and windows closed.
- Limit energy usage by using TIMER ON and TIMER OFF functions.
- Do not block air inlets or outlets.
- Regularly inspect and clean air filters.

A guide on using the infrared remote is not included in this literature package. Not all the functions are available for the air conditioner, please check the indoor display and remote control of the unit you purchased.

Other Features

- **Auto-Restart(some units)**
If the unit loses power, it will automatically restart with the prior settings once power has been restored.
- **Anti-mildew (some units)**
When turning off the unit from COOL, AUTO (COOL), or DRY modes, the air conditioner will continue operate at very low power to dry up condensed water and prevent mildew growth.
- **Wireless Control(some units)**
Wireless control allows you to control your air conditioner using your mobile phone and a wireless connection.
For the USB device access, replacement, maintenance operations must be carried out by professional staff.
- **Louver Angle Memory(some units)**
When turning on your unit, the louver will automatically resume its former angle.
- **Active Clean function(some units)**
-- The Active Clean Technology washes away dust, mold, and grease that may cause odors when it adheres to the heat exchanger by automatically freezing and then rapidly thawing the frost. A "pi-pi" sound will be heard. The Active clean operation is used to produce more condensed water to improve the cleaning effect, and the cold air will blow out. After cleaning, the internal wind wheel then keeps operating with hot air to blow-dry the evaporator, thus preventing the growth of mold and keeping the inside clean.
-- When this function is turned on, the indoor unit display window appears "CL " , after 20 to 45 minutes, the unit will turn off automatically and cancel Active Clean function.
- **Breeze Away (some units)**
This feature avoids direct air flow blowing on the body and make you feel indulging in silky coolness.

- **Refrigerant Leakage Detection(some units)**
The indoor unit will automatically display "ELOC" when it detects refrigerant leakage.
- **ECO Intelligent eye(some units)**
The system is controlled intelligently under Intelligent eye mode. It can detect the people's activities in the room. In cooling mode, when you are away for 30 minutes, the unit will automatically lower the frequency to save energy(for Inverter models only). And the unit will automatically start and resume operation if sensing human activity again.
- **Sleep Operation**
The SLEEP function is used to decrease energy use while you sleep (and don't need the same temperature settings to stay comfortable). This function can only be activated via remote control. And the Sleep function is not available in FAN or DRY mode.
When in COOL mode, the unit will increase the temperature by 1°C (2°F) after 1 hour, and will increase an additional 1°C (2°F) after another hour.
When in HEAT mode, the unit will decrease the temperature by 1°C (2°F) after 1 hour, and will decrease an additional 1°C (2°F) after another hour.
The sleep feature will stop after 8 hours and the system will keep running with final situation.



NOTE:

For multi-split air conditioners, the following functions are not available:
Active clean function, Silence feature, Breeze away function, Refrigerant leakage detection function and Eco feature.

• Setting Angle of Air Flow

Setting vertical angle of air flow

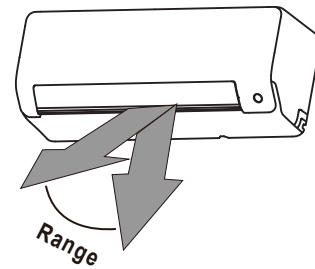
While the unit is on, use the **SWING** button on remote control to set the direction (vertical angle) of airflow. Please refer to the Remote Control Manual for details.

NOTE ON LOUVER ANGLES

When using COOL or DRY mode, do not set louver at too vertical an angle for long periods of time. This can cause water to condense on the louver blade, which will drop on your floor or furnishings.

When using COOL or HEAT mode, setting the louver at too vertical an angle can reduce the performance of the unit due to restricted air flow.

NOTE: According to the relative standards requirement, please sets the vertical air flow louver to its maximum angle under heating capacity test.



NOTE: Do not move louver by hand. This will cause the louver to become out of sync. If this occurs, turn off the unit and unplug it for a few seconds, then restart the unit. This will reset the louver.

Fig. A



CAUTION

Do not put your fingers in or near the blower and suction side of the unit. The high-speed fan inside the unit may cause injury.

Setting horizontal angle of air flow

The horizontal angle of the airflow must be set manually. Grip the deflector rod (See **Fig.B**) and manually adjust it to your preferred direction.

For some units, the horizontal angle of the airflow can be set by remote control. please refer to the Remote Control Manual.

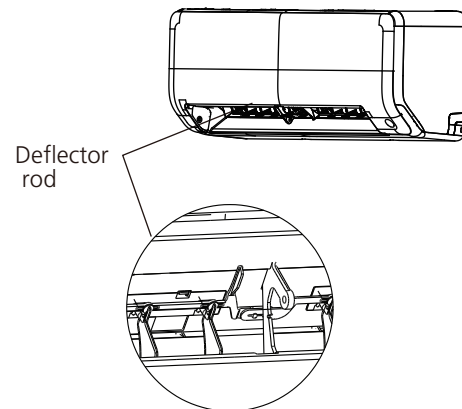


Fig. B

Manual Operation(without remote)



CAUTION

The manual button is intended for testing purposes and emergency operation only. Please do not use this function unless the remote control is lost and it is absolutely necessary. To restore regular operation, use the remote control to activate the unit. Unit must be turned off before manual operation.

To operate your unit manually:

1. Locate the **MANUAL CONTROL button** on the right-hand side panel of the unit.
2. Press the **MANUAL CONTROL button** one time to activate FORCED AUTO mode.
3. Press the **MANUAL CONTROL button** again to activate FORCED COOLING mode.
4. Press the **MANUAL CONTROL button** a third time to turn the unit off.

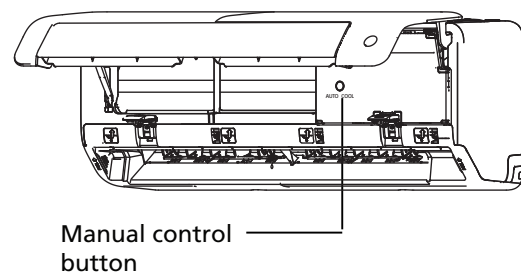


Fig. C

Care and Maintenance

Cleaning Your Indoor Unit

BEFORE CLEANING OR MAINTENANCE

ALWAYS TURN OFF YOUR AIR CONDITIONER SYSTEM AND DISCONNECT ITS POWER SUPPLY BEFORE CLEANING OR MAINTENANCE.

CAUTION

Only use a soft, dry cloth to wipe the unit clean. If the unit is especially dirty, you can use a cloth soaked in warm water to wipe it clean.

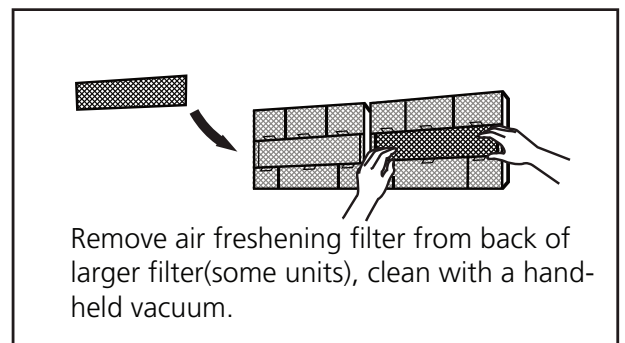
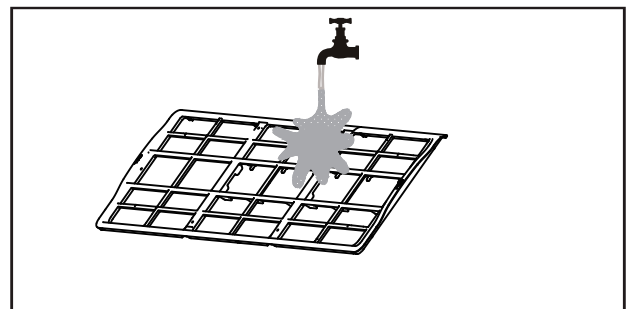
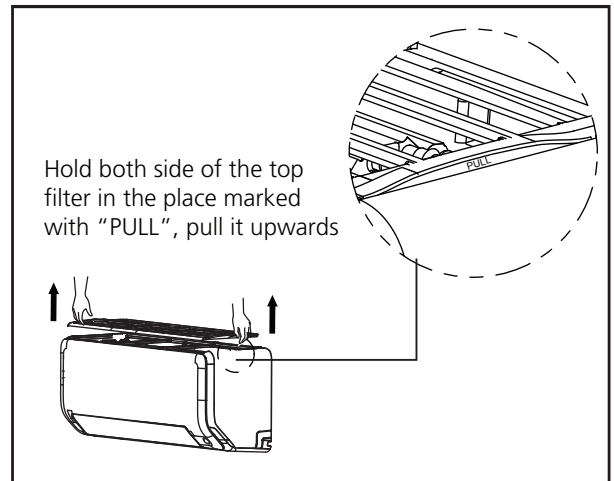
- **Do not** use chemicals or chemically treated cloths to clean the unit
- **Do not** use benzene, paint thinner, polishing powder or other solvents to clean the unit. They can cause the plastic surface to crack or deform.
- **Do not** use water hotter than 40°C (104°F) to clean the front panel. This can cause the panel to deform or become discolored.

Cleaning Your Air Filter

A clogged air filter can reduce the cooling efficiency of your unit, can also make the air flow irregular and too much noisy, so please clean the air filter as often as necessary. Once the abnormal noise of air flow is heard, please clean the air filter immediately.

1. The air filter is on the top of the air conditioner.
2. Hold both side of the top filter in the place marked with "PULL", then pull it upwards.
3. If your filter has small air freshening filters, unclip them from the larger filter. Clean these air freshening filters with a hand-held vacuum.
4. Clean the large air filter with warm, soapy water. Be sure to use a mild detergent.

5. Rinse the filter with fresh water, then shake off excess water.
6. Dry it in a cool, dry place, and refrain from exposing it to direct sunlight.
7. When dry, re-clip the air freshening filter to the larger filter, then install it back on the indoor unit.



CAUTION

- Before changing the filter or cleaning, turn off the unit and disconnect its power supply.
- When removing filter, do not touch metal parts in the unit. The sharp metal edges can cut you.
- Do not use water to clean the inside of the indoor unit. This can destroy insulation and cause electrical shock.
- Do not expose filter to direct sunlight when drying. This can shrink the filter.

Air Filter Reminders (Optional)

Air Filter Cleaning Reminder

After 240 hours of use, the display window on the indoor unit will flash "CL." This is a reminder to clean your filter. After 15 seconds, the unit will revert to its previous display.

To reset the reminder, press the **LED** button on your remote control 4 times, or press the **MANUAL CONTROL** button 3 times. If you don't reset the reminder, the "CL" indicator will flash again when you restart the unit.

Air Filter Replacement Reminder

After 2,880 hours of use, the display window on the indoor unit will flash "nF." This is a reminder to replace your filter. After 15 seconds, the unit will revert to its previous display.

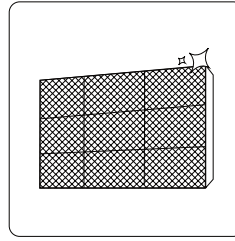
To reset the reminder, press the **LED** button on your remote control 4 times, or press the **MANUAL CONTROL** button 3 times. If you don't reset the reminder, the "nF" indicator will flash again when you restart the unit.

CAUTION

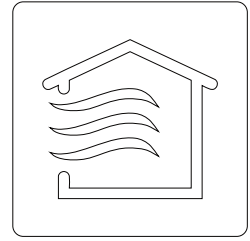
- Any maintenance and cleaning of outdoor unit should be performed by an authorized dealer or a licensed service provider.
- Any unit repairs should be performed by an authorized dealer or a licensed service provider.

Maintenance – Long Periods of Non-Use

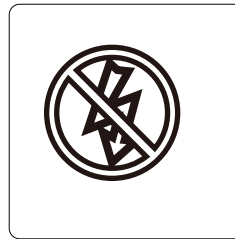
If you plan not to use your air conditioner for an extended period of time, do the following:



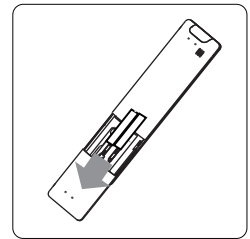
Clean all filters



Turn on FAN function until unit dries out completely



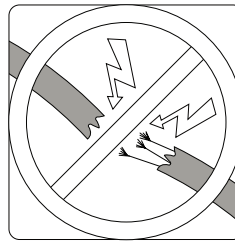
Turn off the unit and disconnect the power



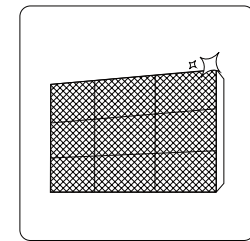
Remove batteries from remote control

Maintenance – Pre-Season Inspection

After long periods of non-use, or before periods of frequent use, do the following:



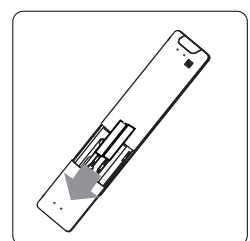
Check for damaged wires



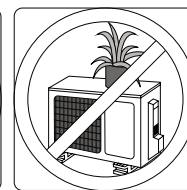
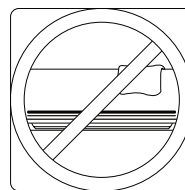
Clean all filters



Check for leaks



Replace batteries



Make sure nothing is blocking all air inlets and outlets

Troubleshooting

SAFETY PRECAUTIONS

If ANY of the following conditions occurs, turn off your unit immediately!

- The power cord is damaged or abnormally warm
- You smell a burning odor
- The unit emits loud or abnormal sounds
- A power fuse blows or the circuit breaker frequently trips
- Water or other objects fall into or out of the unit

DO NOT ATTEMPT TO FIX THESE YOURSELF! CONTACT AN AUTHORIZED SERVICE PROVIDER IMMEDIATELY!

Common Issues

The following problems are not a malfunction and in most situations will not require repairs.

Issue	Possible Causes
Unit does not turn on when pressing ON/OFF button	The Unit has a 3-minute protection feature that prevents the unit from overloading. The unit cannot be restarted within three minutes of being turned off.
The unit changes from COOL/HEAT mode to FAN mode	The unit may change its setting to prevent frost from forming on the unit. Once the temperature increases, the unit will start operating in the previously selected mode again.
	The set temperature has been reached, at which point the unit turns off the compressor. The unit will continue operating when the temperature fluctuates again.
The indoor unit emits white mist	In humid regions, a large temperature difference between the room's air and the conditioned air can cause white mist.
Both the indoor and outdoor units emit white mist	When the unit restarts in HEAT mode after defrosting, white mist may be emitted due to moisture generated from the defrosting process.
The indoor unit makes noises	A rushing air sound may occur when the louver resets its position.
	A squeaking sound may occur after running the unit in HEAT mode due to expansion and contraction of the unit's plastic parts.
Both the indoor unit and outdoor unit make noises	Low hissing sound during operation: This is normal and is caused by refrigerant gas flowing through both indoor and outdoor units.
	Low hissing sound when the system starts, has just stopped running, or is defrosting: This noise is normal and is caused by the refrigerant gas stopping or changing direction.
	Squeaking sound: Normal expansion and contraction of plastic and metal parts caused by temperature changes during operation can cause squeaking noises.

Issue	Possible Causes
The outdoor unit makes noises	The unit will make different sounds based on its current operating mode.
Dust is emitted from either the indoor or outdoor unit	The unit may accumulate dust during extended periods of non-use, which will be emitted when the unit is turned on. This can be mitigated by covering the unit during long periods of inactivity.
The unit emits a bad odor	The unit may absorb odors from the environment (such as furniture, cooking, cigarettes, etc.) which will be emitted during operations.
	The unit's filters have become moldy and should be cleaned.
The fan of the outdoor unit does not operate	During operation, the fan speed is controlled to optimize product operation.
Operation is erratic, unpredictable, or unit is unresponsive	Interference from cell phone towers and remote boosters may cause the unit to malfunction. In this case, try the following: <ul style="list-style-type: none"> • Disconnect the power, then reconnect. • Press ON/OFF button on remote control to restart operation.

NOTE: If problem persists, contact a local dealer or your nearest customer service center. Provide them with a detailed description of the unit malfunction as well as your model number.

Troubleshooting

When troubles occur, please check the following points before contacting a repair company.

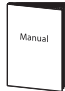


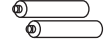

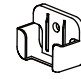





Problem	Possible Causes	Solution
Poor Cooling Performance	Temperature setting may be higher than ambient room temperature	Lower the temperature setting
	The heat exchanger on the indoor or outdoor unit is dirty	Clean the affected heat exchanger
	The air filter is dirty	Remove the filter and clean it according to instructions
	The air inlet or outlet of either unit is blocked	Turn the unit off, remove the obstruction and turn it back on
	Doors and windows are open	Make sure that all doors and windows are closed while operating the unit
	Excessive heat is generated by sunlight	Close windows and curtains during periods of high heat or bright sunshine
	Too many sources of heat in the room (people, computers, electronics, etc.)	Reduce amount of heat sources
	Low refrigerant due to leak or long-term use	Check for leaks, re-seal if necessary and top off refrigerant
SILENCE function is activated (optional function)	SILENCE function can lower product performance by reducing operating frequency. Turn off SILENCE function.	

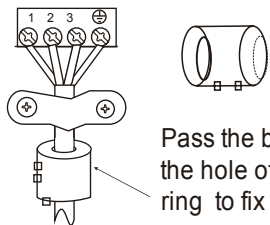
Problem	Possible Causes	Solution
The unit is not working	Power failure	Wait for the power to be restored
	The power is turned off	Turn on the power
	The fuse is burned out	Replace the fuse
	Remote control batteries are dead	Replace batteries
	The Unit's 3-minute protection has been activated	Wait three minutes after restarting the unit
	Timer is activated	Turn timer off
The unit starts and stops frequently	There's too much or too little refrigerant in the system	Check for leaks and recharge the system with refrigerant.
	Incompressible gas or moisture has entered the system.	Evacuate and recharge the system with refrigerant
	The compressor is broken	Replace the compressor
	The voltage is too high or too low	Install a manostat to regulate the voltage
Poor heating performance	The outdoor temperature is extremely low	Use auxiliary heating device
	Cold air is entering through doors and windows	Make sure that all doors and windows are closed during use
	Low refrigerant due to leak or long-term use	Check for leaks, re-seal if necessary and top off refrigerant
Indicator lamps continue flashing	The unit may stop operation or continue to run safely. If the indicator lamps continue to flash or error codes appear, wait for about 10 minutes. The problem may resolve itself. If not, disconnect the power, then connect it again. Turn the unit on. If the problem persists, disconnect the power and contact your nearest customer service center.	
Error code appears and begins with the letters as the following in the window display of indoor unit:	<ul style="list-style-type: none"> • E(x), P(x), F(x) • EH(xx), EL(xx), EC(xx) • PH(xx), PL(xx), PC(xx) 	

NOTE: If your problem persists after performing the checks and diagnostics above, turn off your unit immediately and contact an authorized service center.

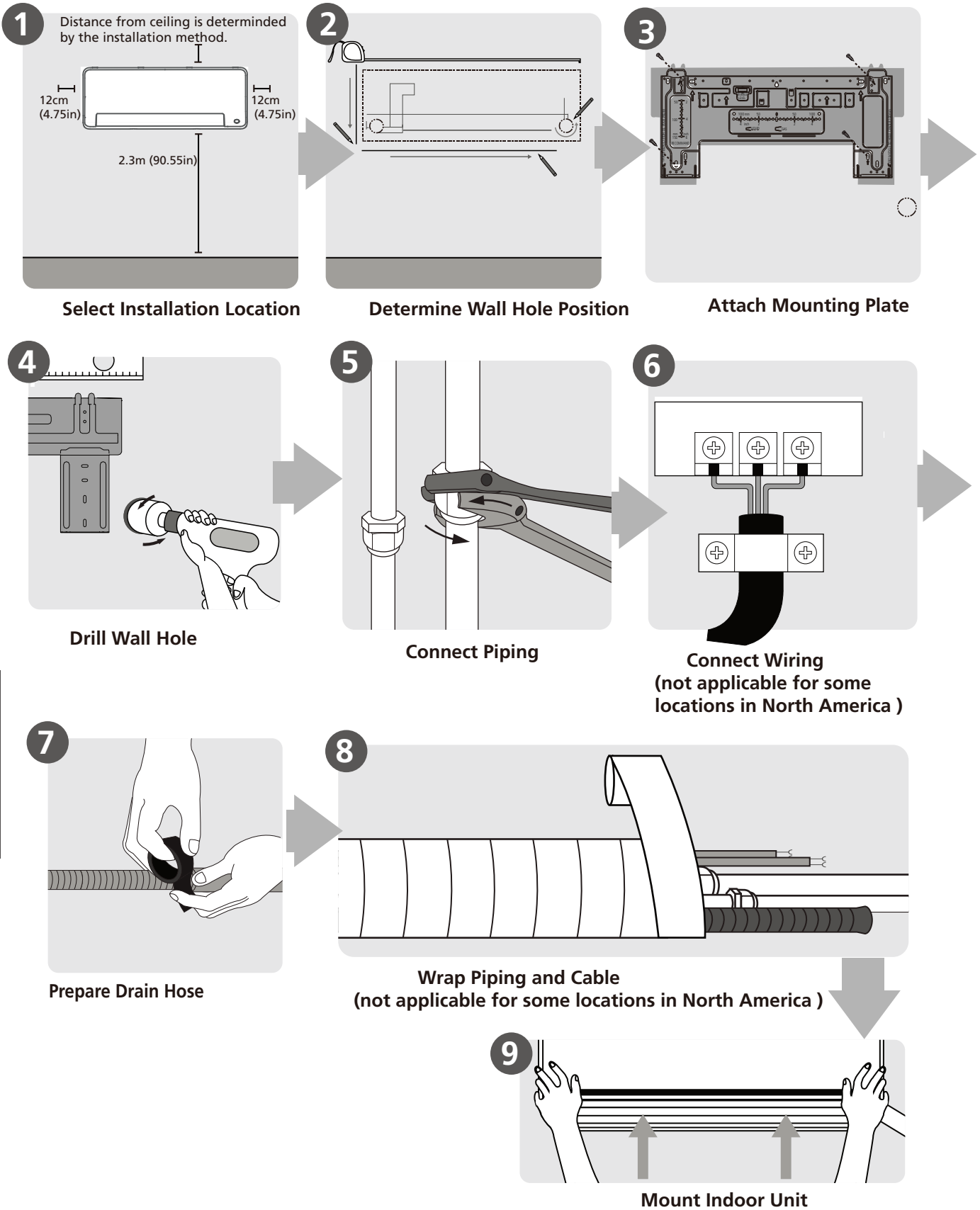
Accessories

The air conditioning system comes with the following accessories. Use all of the installation parts and accessories to install the air conditioner. Improper installation may result in water leakage, electrical shock and fire, or cause the equipment to fail. The items are not included with the air conditioner must be purchased separately.

Name of Accessories	Q'ty(pc)	Shape	Name of Accessories	Q'ty(pc)	Shape
Manual	2-3		Remote controller	1	
Drain joint (for cooling & heating models)	1		Battery	2	
Seal (for cooling & heating models)	1		Remote controller holder(optional)	1	
Mounting plate	1		Fixing screw for remote controller holder(optional)	2	
Anchor	5~8 (depending on models)		Small Filter (Need to be installed on the back of main air filter by the authorized technician while installing the machine)	1~2 (depending on models)	
Mounting plate fixing screw	5~8 (depending on models)				

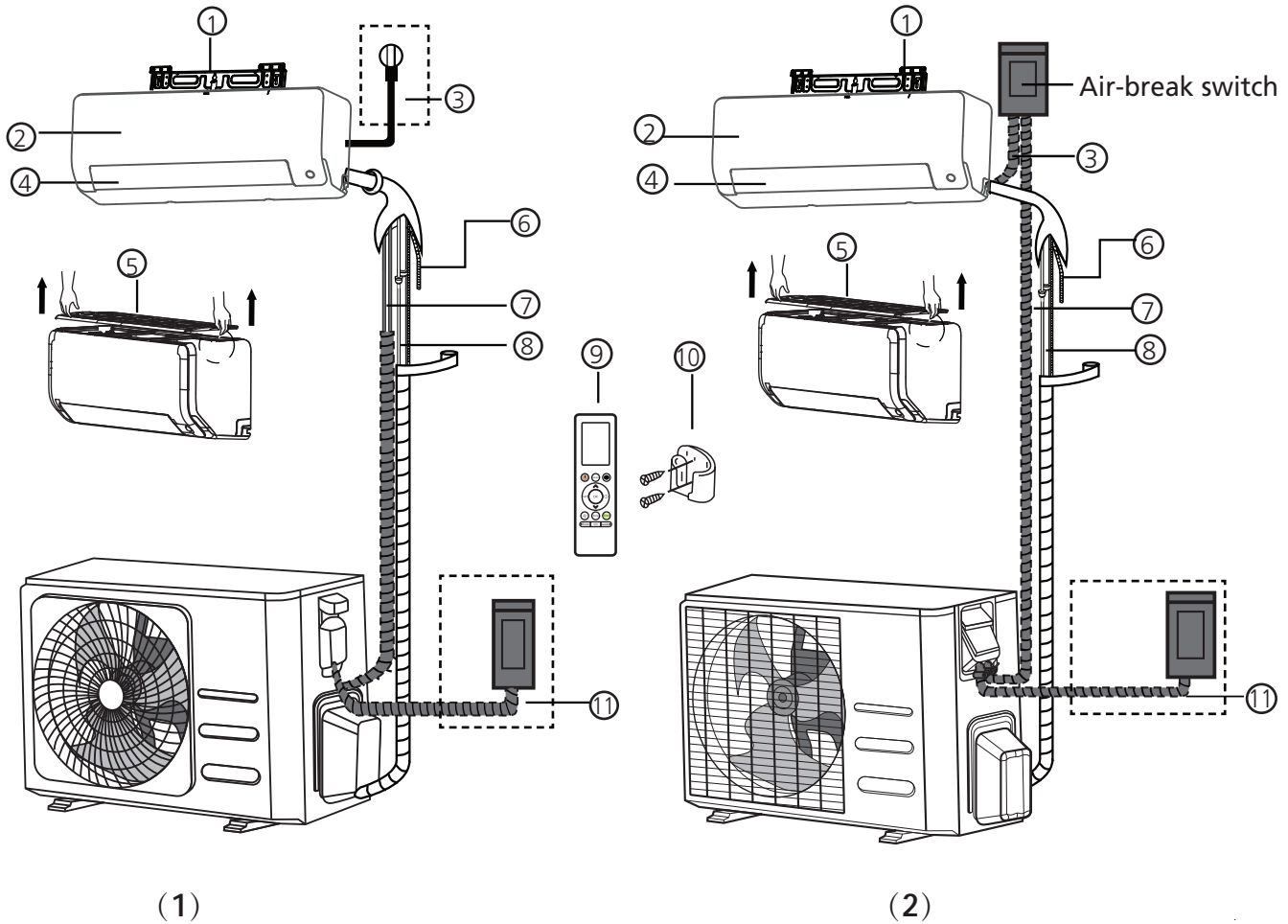
Name	Shape	Quantity(PC)	
Connecting pipe assembly	Liquid side	Φ 6.35 (1/4in)	Parts you must purchase separately. Consult the dealer about the proper pipe size of the unit you purchased.
		Φ 9.52 (3/8in)	
	Gas side	Φ 9.52 (3/8in)	
		Φ 12.7 (1/2in)	
		Φ 16 (5/8in)	
Magnetic ring and belt (if supplied ,please refer to the wiring diagram to install it on the connective cable.)	 <p>Pass the belt through the hole of the Magnetic ring to fix it on the cable</p>	Varies by model	

Installation Summary - Indoor Unit



Unit Parts

NOTE: The installation must be performed in accordance with the requirement of local and national standards. The installation may be slightly different in different areas.



- | | | |
|----------------------------|---------------------------|---|
| ① Wall Mounting Plate | ⑤ Air filter(pull it out) | ⑨ Remote Controller |
| ② Front Panel | ⑥ Drainage Pipe | ⑩ Remote Controller Holder (Some Units) |
| ③ Power Cable (Some Units) | ⑦ Signal Cable | ⑪ Outdoor Unit Power Cable (Some Units) |
| ④ Louver | ⑧ Refrigerant Piping | |

NOTE ON ILLUSTRATIONS

Illustrations in this manual are for explanatory purposes. The actual shape of your indoor unit may be slightly different. The actual shape shall prevail.

Indoor Unit Installation

Installation Instructions – Indoor unit

PRIOR TO INSTALLATION

Before installing the indoor unit, refer to the label on the product box to make sure that the model number of the indoor unit matches the model number of the outdoor unit.

Step 1: Select installation location

Before installing the indoor unit, you must choose an appropriate location. The following are standards that will help you choose an appropriate location for the unit.

Proper installation locations meet the following standards:

- ☑ Good air circulation
- ☑ Convenient drainage
- ☑ Noise from the unit will not disturb other people
- ☑ Firm and solid—the location will not vibrate
- ☑ Strong enough to support the weight of the unit
- ☑ A location at least one meter from all other electrical devices (e.g., TV, radio, computer)

DO NOT install unit in the following locations:

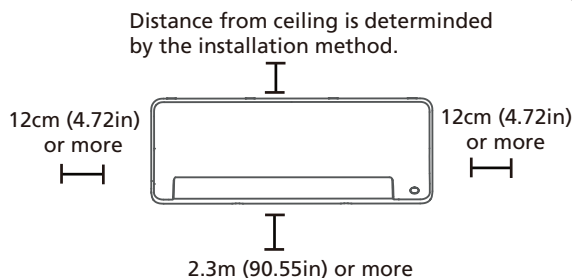
- ⊘ Near any source of heat, steam, or combustible gas
- ⊘ Near flammable items such as curtains or clothing
- ⊘ Near any obstacle that might block air circulation
- ⊘ Near the doorway
- ⊘ In a location subject to direct sunlight

NOTE ABOUT WALL HOLE:

If there is no fixed refrigerant piping:

While choosing a location, be aware that you should leave ample room for a wall hole (see **Drill wall hole for connective piping** step) for the signal cable and refrigerant piping that connect the indoor and outdoor units. The default position for all piping is the right side of the indoor unit (while facing the unit). However, the unit can accommodate piping to both the left and right.

Refer to the following diagram to ensure proper distance from walls and ceiling:



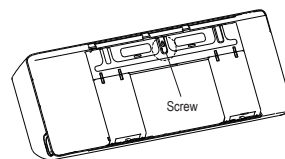
NOTE:

- **If no need the back holder to prop up the unit:**
Finishing the pipe and cable connections before mount the indoor unit on the wall. If the installation height is limited, 5cm from the ceiling is allowable, but this can lower product performance. To ensure enough space to install and remove the top air filter, keep at least 10cm or more from the ceiling.
- **Need the back holder to prop up the unit:**
If connecting pipe and cable with front panel open, the minimum distance from ceiling is 22cm or more, if connecting pipe and cable without front panel(remove it), the minimum distance from ceiling is 11cm or more.

Step 2: Attach mounting plate to wall

The mounting plate is the device on which you will mount the indoor unit.

- Remove the screw that attaches the mounting plate to the back of the indoor unit.



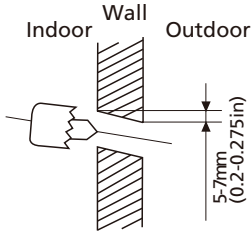
- Secure the mounting plate to the wall with the screws provided. Make sure that mounting plate is flat against the wall.

NOTE FOR CONCRETE OR BRICK WALLS:

If the wall is made of brick, concrete, or similar material, drill 5mm-diameter (0.2in-diameter) holes in the wall and insert the sleeve anchors provided. Then secure the mounting plate to the wall by tightening the screws directly into the clip anchors.

Step 3: Drill wall hole for connective piping

1. Determine the location of the wall hole based on the position of the mounting plate. Refer to **Mounting Plate Dimensions**.
2. Using a 65mm (2.5in) or 90mm(3.54in) (depending on models)core drill, drill a hole in the wall. Make sure that the hole is drilled at a slight downward angle, so that the outdoor end of the hole is lower than the indoor end by about 5mm to 7mm (0.2-0.275in). This will ensure proper water drainage.



NOTE: When the gas side connective pipe is Φ 16mm(5/8in) or more, the wall hole should be 90mm(3.54in).

3. Place the protective wall cuff in the hole. This protects the edges of the hole and will help seal it when you finish the installation process.

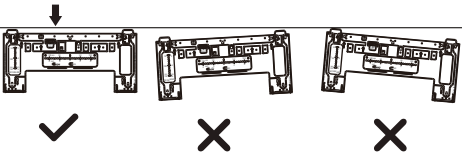
CAUTION

When drilling the wall hole, make sure to avoid wires, plumbing, and other sensitive components.

MOUNTING PLATE DIMENSIONS

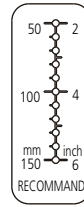
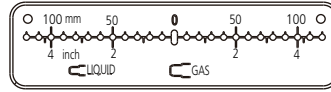
Different models have different mounting plates. For the convenience of installation, there are bubble level, carved dimensions on the mounting plate. Please install the plate and drill wall hole according to the information of the mounting plate. See the figures below.

Correct orientation of Mounting Plate



Unit: mm(inch)

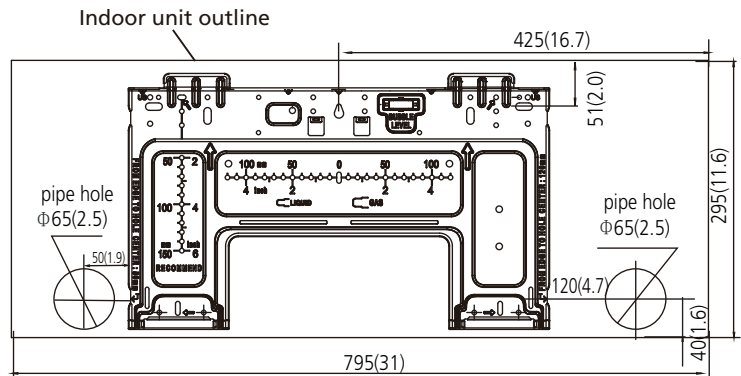
Horizontal direction ruler



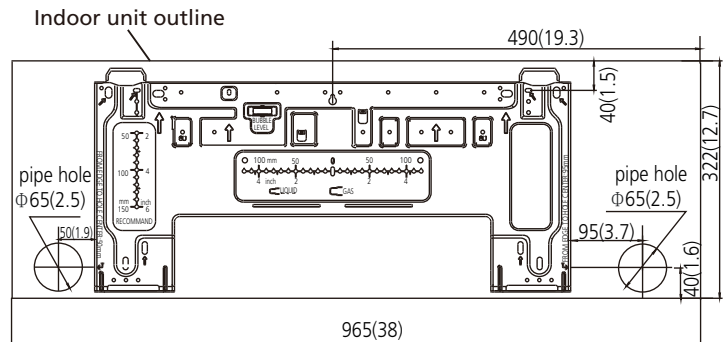
Vertical direction ruler



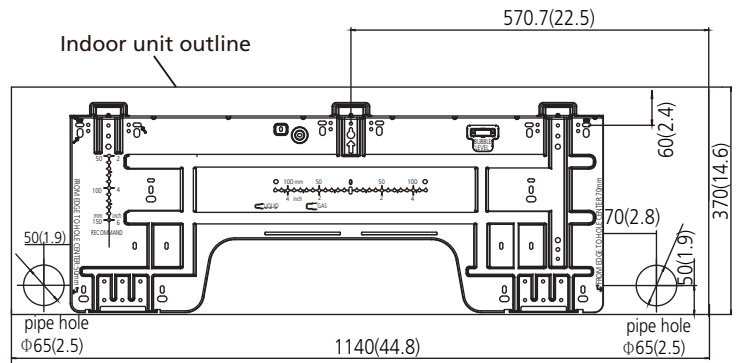
CAUTION: The Bubble level on the mounting plate can't be removed. If it is broken, make sure to clean up the leaking liquid.



Model A



Model B



Model C

Step 4: Prepare refrigerant piping

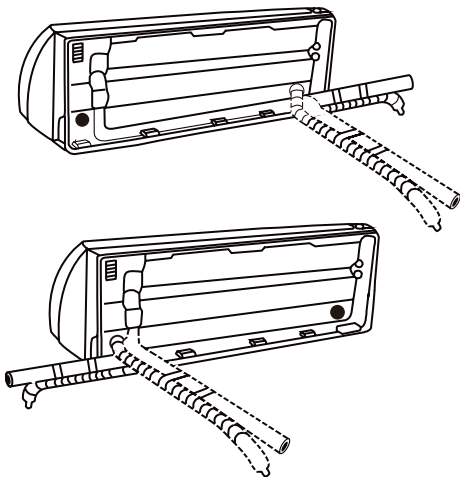
The refrigerant piping is inside an insulating sleeve attached to the back of the unit. You must prepare the piping before passing it through the hole in the wall. Refer to the **Refrigerant Piping Connection** section of this manual for detailed instructions on pipe flaring and flare torque requirements, technique, etc.

NOTE ON PIPING ANGLE

Refrigerant piping can exit the indoor unit from four different angles:

- Left-hand side
- Left rear
- Right-hand side
- Right rear

Refer to **figures below** for details.



NOTE ON PIPING CONNECTING

- In some locations of US, a conduit tube must be used to connect the cable. To ensure an enough space for the pipes running and the machine is against the wall after installation, It is recommended to attach the drain hose to the right-hand side (when you're facing the back of the unit).
- When choose Left-hand side or Right-hand side piping, please make sure that the pipes come out horizontally so as not to affect the lower panel installtion.

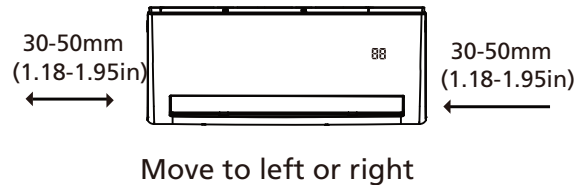
⚠ CAUTION

Be extremely careful not to dent or damage the piping while bending them away from the unit. Any dents in the piping will affect the unit's performance.

If refrigerant piping is already embedded in the wall, do the following:

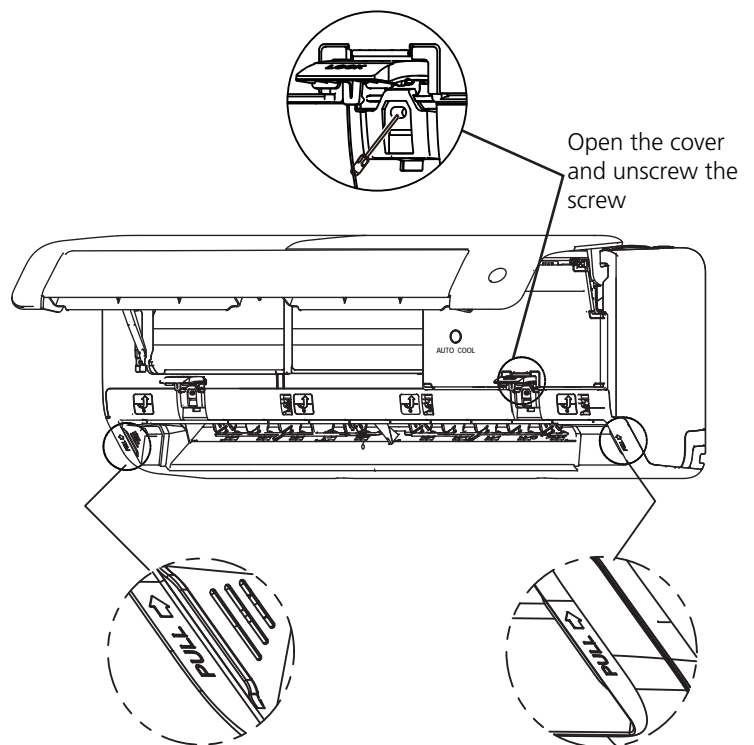
Step 1: Hook the indoor unit on the mounting plate:

1. Keep in mind that the hooks on the mounting plate are smaller than the holes on the back of the unit. If you find that you don't have ample room to connect embedded pipes to the indoor unit, the unit can be adjusted left or right by about 30-50mm (1.18-1.95in), depending on the model.

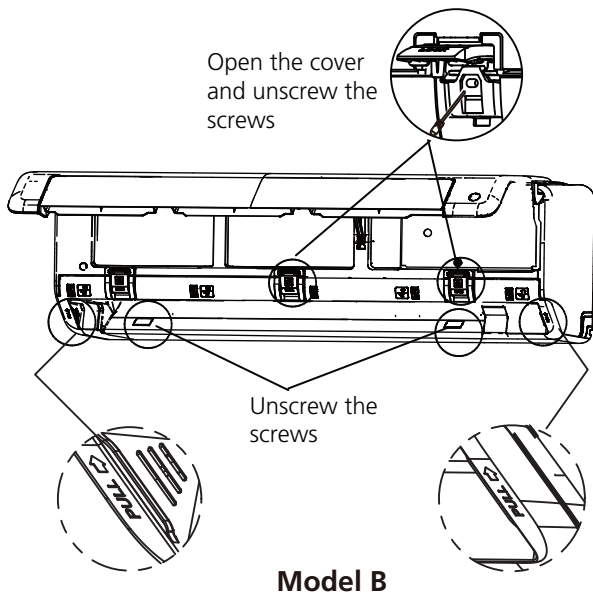


Step 2: Prepare refrigerant piping:

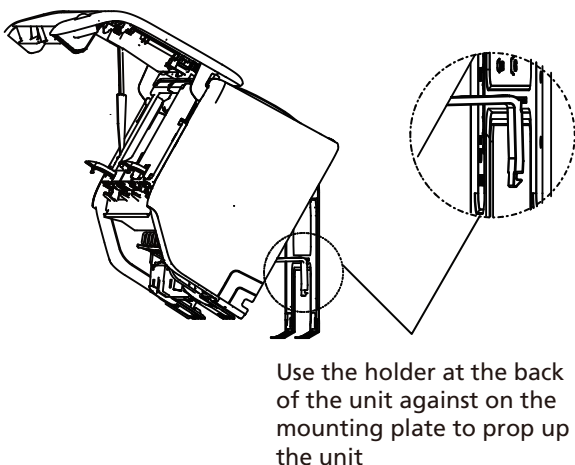
1. Open and fix the position of the panel, then, open the covers of the two lock blocks, unscrew the screw showed in the picture below, then hold both sides of the lower panel in the place marked "PULL", pull it upwards to release the buckles, then take the lower panel down.



Model A



2. Use the holder at the back of the unit to prop up the unit, giving you enough room to connect the refrigerant piping, signal cable, and drain hose.



Step 3. Connect drain hose and refrigerant piping (refer to **Refrigerant Piping Connection** section of this manual for instructions).

Step 4. Keep pipe connection point exposed to perform the leak test (refer to **Electrical Checks and Leak Checks** section of this manual).

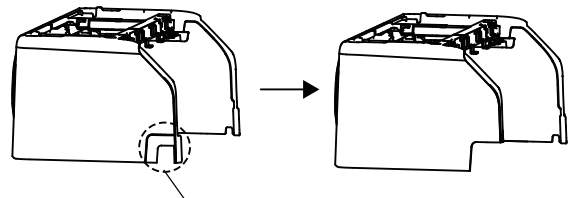
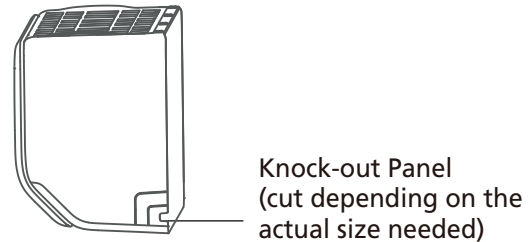
Step 5. After the leak test, wrap the connection point with insulation tape.

Step 6. Remove the bracket or wedge that is propping with insulation tape.

Step 7. Using even pressure, push down on the bottom half of the unit. Keep pushing down until the unit snaps onto the hooks along the bottom of the mounting plate.

If there is no refrigerant piping embedded in the wall, do the following:

1. Based on the position of the wall hole relative to the mounting plate, choose the side from which the piping will exit the unit.
2. If the wall hole is behind the unit, keep the knock-out panel in place. If the wall hole is to the side of the indoor unit, remove the plastic knock-out panel from that side of the unit. (See figure below). This will create a slot through which your piping can exit the unit. Use needle nose pliers if the plastic panel is too difficult to remove by hand.



3. Use scissors to cut down the length of the insulating sleeve to reveal about 40mm (1.57in) of the refrigerant piping. This serves two purposes:
 - To facilitate the **Refrigerant Piping Connection** process.
 - To facilitate **Gas Leak Checks** and enable you to check for dents
4. Use the holder at the back of the unit to prop up the unit, giving you enough room to connect the refrigerant piping, signal cable, and drain hose.
5. Connect the indoor unit's refrigerant piping to the connective piping that will join the indoor and outdoor units. Refer to the **Refrigerant Piping Connection** section of this manual for detailed instructions.
6. Based on the position of the wall hole relative to the mounting plate, determine the necessary angle of your piping.
7. Grip the refrigerant piping at the base of the bend.
8. Slowly, with even pressure, bend the piping towards the hole. **Do not** dent or damage the piping during the process.

Step 5: Connect drain hose

By default, the drain hose is attached to the left-hand side of unit (when you're facing the back of the unit). However, it can also be attached to the right-hand side. To ensure proper drainage, attach the drain hose on the same side that your refrigerant piping exits the unit.

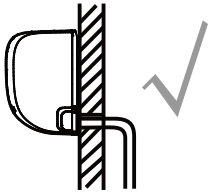
NOTE: In some locations of US, if the machine has installed the conduit panel, please choose right-hand side drainage.

- Wrap the connection point firmly with Teflon tape to ensure a good seal and to prevent leaks.
- Remove the air filter and pour a small amount of water into the drain pan to make sure that water flows from the unit smoothly.

! NOTE ON DRAIN HOSE PLACEMENT

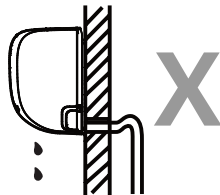
Make sure to arrange the drain hose according to the following figures.

- ⊘ **DO NOT** kink the drain hose.
- ⊘ **DO NOT** create a water trap.
- ⊘ **DO NOT** put the end of drain hose in water or a container that will collect water.



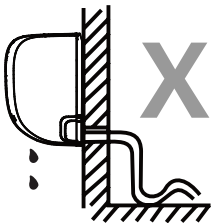
CORRECT

Make sure there are no kinks or dent in drain hose to ensure proper drainage.



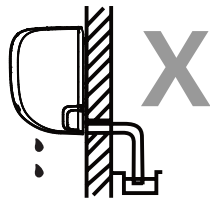
NOT CORRECT

Kinks in the drain hose will create water traps.



NOT CORRECT

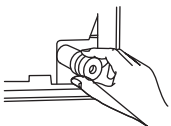
Kinks in the drain hose will create water traps.



NOT CORRECT

Do not place the end of the drain hose in water or in containers that collect water. This will prevent proper drainage.

PLUG THE UNUSED DRAIN HOLE



To prevent unwanted leaks you must plug the unused drain hole with the rubber plug provided.

! BEFORE PERFORMING ANY ELECTRICAL WORK, READ THESE REGULATIONS

1. All wiring must comply with local and national electrical codes, regulations and must be installed by a licensed electrician.
2. All electrical connections must be made according to the Electrical Connection Diagram located on the panels of the indoor and outdoor units.
3. If there is a serious safety issue with the power supply, stop work immediately. Explain your reasoning to the client, and refuse to install the unit until the safety issue is properly resolved.
4. Power voltage should be within 90-110% of rated voltage. Insufficient power supply can cause malfunction, electrical shock, or fire.
5. If connecting power to fixed wiring, a surge protector and main power switch should be installed.
6. If connecting power to fixed wiring, a switch or circuit breaker that disconnects all poles and has a contact separation of at least 1/8in (3mm) must be incorporated in the fixed wiring. The qualified technician must use an approved circuit breaker or switch.
7. Only connect the unit to an individual branch circuit outlet. Do not connect another appliance to that outlet.
8. Make sure to properly ground the air conditioner.
9. Every wire must be firmly connected. Loose wiring can cause the terminal to overheat, resulting in product malfunction and possible fire.
10. Do not let wires touch or rest against refrigerant tubing, the compressor, or any moving parts within the unit.
11. If the unit has an auxiliary electric heater, it must be installed at least 1 meter (40in) away from any combustible materials.
12. To avoid getting an electric shock, never touch the electrical components soon after the power supply has been turned off. After turning off the power, always wait 10 minutes or more before you touch the electrical components.

! WARNING

BEFORE PERFORMING ANY ELECTRICAL OR WIRING WORK, TURN OFF THE MAIN POWER TO THE SYSTEM.

Step 6: Connect signal and power cables

The signal cable enables communication between the indoor and outdoor units. You must first choose the right cable size before preparing it for connection.

Cable Types

- **Indoor Power Cable** (if applicable): H05VV-F or H05V2V2-F
- **Outdoor Power Cable:** H07RN-F or H05RN-F
- **Signal Cable:** H07RN-F

NOTE: In North America, choose the cable type according to the local electrical codes and regulations.

Minimum Cross-Sectional Area of Power and Signal Cables (For reference) (Not applicable for North America)

Rated Current of Appliance (A)	Nominal Cross-Sectional Area (mm ²)
> 3 and ≤ 6	0.75
> 6 and ≤ 10	1
> 10 and ≤ 16	1.5
> 16 and ≤ 25	2.5
> 25 and ≤ 32	4
> 32 and ≤ 40	6

CHOOSE THE RIGHT CABLE SIZE

The size of the power supply cable, signal cable, fuse, and switch needed is determined by the maximum current of the unit. The maximum current is indicated on the nameplate located on the side panel of the unit. Refer to this nameplate to choose the right cable, fuse, or switch.

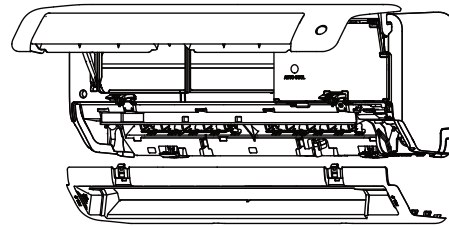
NOTE: In North America, please choose the right cable size according to the Minimum Circuit Ampacity indicated on the nameplate of the unit.

1. Open and fix the position of the panel, then, open the covers of the two lock blocks, unscrew the screw, then hold both sides of the lower panel in the place marked "PULL", pull it upwards to release the buckles, then take the lower panel down (please refer to Page 22-23).
2. Open the wire box cover to connect the cable.
3. Unscrew the cable clamp below the terminal block and place it to the side.
4. Facing the back of the unit, remove the plastic panel on the bottom left-hand side.

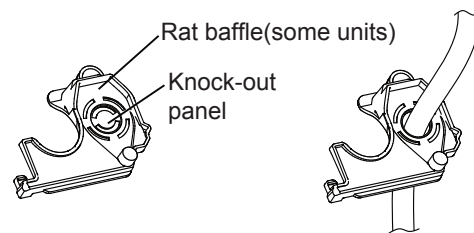
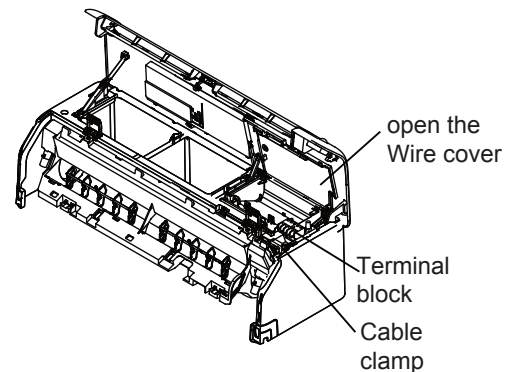
⚠ WARNING

ALL WIRING MUST BE PERFORMED STRICTLY IN ACCORDANCE WITH THE WIRING DIAGRAM LOCATED ON THE BACK OF THE INDOOR UNIT'S FRONT PANEL .

5. Feed the signal wire through this slot, from the back of the unit to the front.
6. Facing the front of the unit, connect the wire according to the indoor unit's wiring diagram, connect the u-lug and firmly screw each wire to its corresponding terminal.



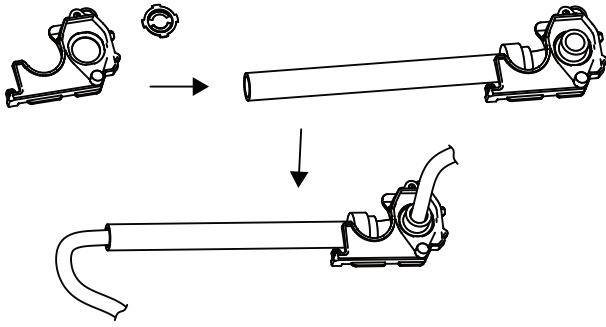
First open the front panel, then remove the lower panel.



NOTE: If the size of the cable is too big, remove the middle small plastic knock-out panel to create a slot through which the cable can exit. If you want to remove the chassis or drain hose, please remove the rat baffle first.

In North America

First remove the knock-out panel to create a slot through which the conduit tube can install. Then make the cable through the conduit tube and connect to the indoor unit.



⚠ CAUTION

DO NOT MIX UP LIVE AND NULL WIRES

This is dangerous, and can cause the air conditioning unit to malfunction.

- After checking to make sure every connection is secure, use the cable clamp to fasten the signal cable to the unit. Screw the cable clamp down tightly.
- Replace the wire cover on the front of the unit, and the plastic panel on the back.

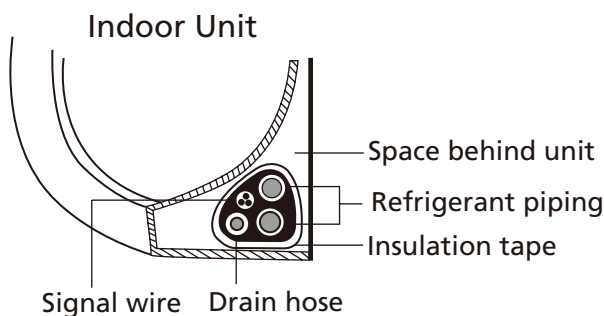
! NOTE ABOUT WIRING

THE WIRING CONNECTION PROCESS MAY DIFFER SLIGHTLY BETWEEN UNITS AND REGIONS.

Step 7: Wrapping and cables

Before passing the piping, drain hose, and the signal cable through the wall hole, you must bundle them together to save space, protect them, and insulate them (This may not be applicable for some locations in US).

- Bundle the drain hose, refrigerant pipes, and signal cable as shown below:



DRAIN HOSE MUST BE ON BOTTOM

Make sure that the drain hose is at the bottom of the bundle. Putting the drain hose at the top of the bundle can cause the drain pan to overflow, which can lead to fire or water damage.

DO NOT INTERTWINE SIGNAL CABLE WITH OTHER WIRES

While bundling these items together, do not intertwine or cross the signal cable with any other wiring.

- Using adhesive vinyl tape, attach the drain hose to the underside of the refrigerant pipes.
- Using insulation tape, wrap the signal wire, refrigerant pipes, and drain hose tightly together. Double-check that all items are bundled.

DO NOT WRAP ENDS OF PIPING

When wrapping the bundle, keep the ends of the piping unwrapped. You need to access them to test for leaks at the end of the installation process (refer to **Electrical Checks and Leak Checks** section of this manual)

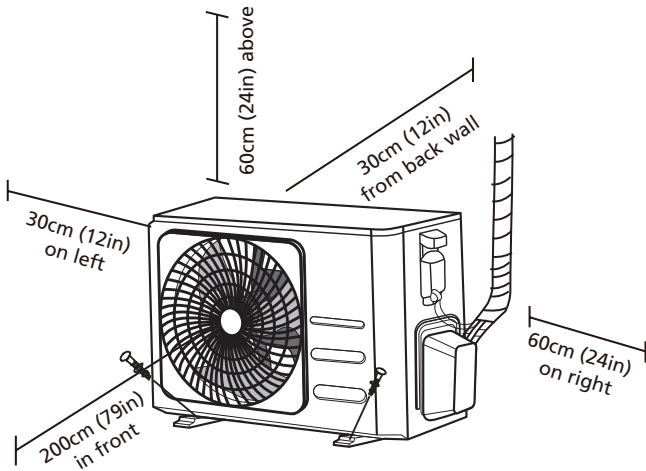
Step 8: Mount indoor unit

If you installed new connective piping to the outdoor unit, do the following:

- If you have already passed the refrigerant piping through the hole in the wall, proceed to Step 4.
- Otherwise, double-check that the ends of the refrigerant pipes are sealed to prevent dirt or foreign materials from entering the pipes.
- Slowly pass the wrapped bundle of refrigerant pipes, drain hose, and signal wire through the hole in the wall.
- Hook the top of the indoor unit on the upper hook of the mounting plate.
- Check that unit is hooked firmly on mounting by applying slight pressure to the left and right-hand sides of the unit. The unit should not jiggle or shift.
- Using even pressure, push down on the bottom half of the unit. Keep pushing down until the unit snaps onto the hooks along the bottom of the mounting plate.
- Again, check that the unit is firmly mounted by applying slight pressure to the left and the right-hand sides of the unit.

Outdoor Unit Installation

Install the unit by following local codes and regulations, there may be differ slightly between different regions.



Installation Instructions – Outdoor unit

Step 1: Select installation location

Before installing the outdoor unit, you must choose an appropriate location. The following are standards that will help you choose an appropriate location for the unit.

Proper installation locations meet the following standards:

- Meets all spatial requirements shown in Installation Space Requirements above.
- Good air circulation and ventilation
- Firm and solid—the location can support the unit and will not vibrate
- Noise from the unit will not disturb others
- Protected from prolonged periods of direct sunlight or rain
- Where snowfall is anticipated, take appropriate measures to prevent ice buildup and coil damage.

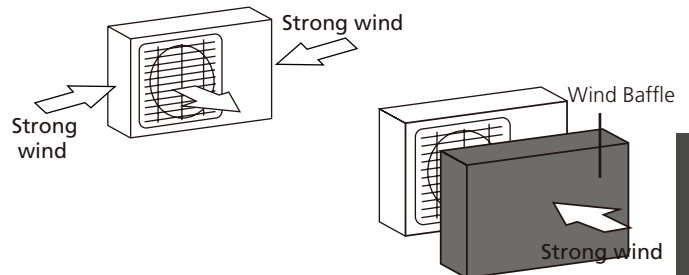
DO NOT install unit in the following locations:

- ⊘ Near an obstacle that will block air inlets and outlets
- ⊘ Near a public street, crowded areas, or where noise from the unit will disturb others
- ⊘ Near animals or plants that will be harmed by hot air discharge
- ⊘ Near any source of combustible gas
- ⊘ In a location that is exposed to large amounts of dust
- ⊘ In a location exposed to a excessive amounts of salty air

SPECIAL CONSIDERATIONS FOR EXTREME WEATHER

If the unit is exposed to heavy wind:

Install unit so that air outlet fan is at a 90° angle to the direction of the wind. If needed, build a barrier in front of the unit to protect it from extremely heavy winds. See Figures below.



If the unit is frequently exposed to heavy rain or snow:

Build a shelter above the unit to protect it from the rain or snow. Be careful not to obstruct air flow around the unit.

If the unit is frequently exposed to salty air (seaside):

Use outdoor unit that is specially designed to resist corrosion.

Step 2: Install drain joint(Heat pump unit only)

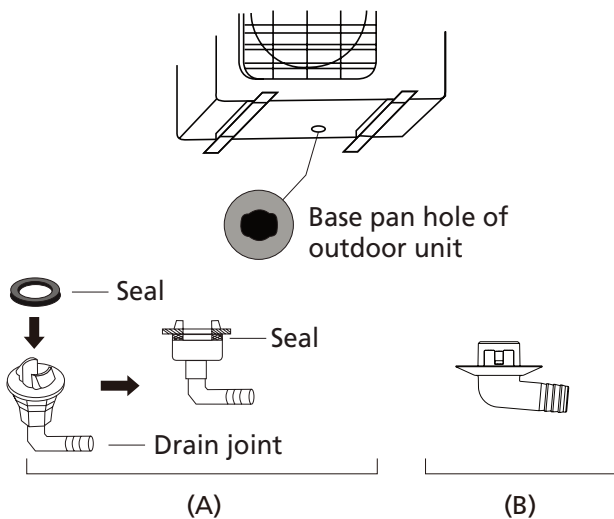
Before bolting the outdoor unit in place, you must install the drain joint at the bottom of the unit. Note that there are two different types of drain joints depending on the type of outdoor unit.

If the drain joint comes with a rubber seal (see Fig. A), do the following:

1. Fit the rubber seal on the end of the drain joint that will connect to the outdoor unit.
2. Insert the drain joint into the hole in the base pan of the unit.
3. Rotate the drain joint 90° until it clicks in place facing the front of the unit.
4. Connect a drain hose extension (not included) to the drain joint to redirect water from the unit during heating mode.

If the drain joint doesn't come with a rubber seal (see Fig. B), do the following:

1. Insert the drain joint into the hole in the base pan of the unit. The drain joint will click in place.
2. Connect a drain hose extension (not included) to the drain joint to redirect water from the unit during heating mode.

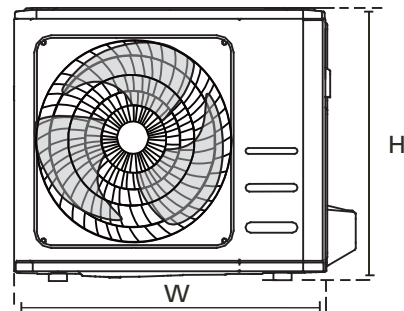
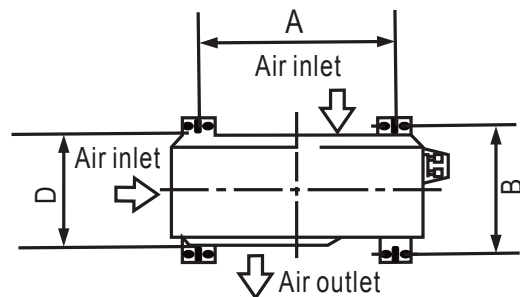


Step 3: Anchor outdoor unit

The outdoor unit can be anchored to the ground or to a wall-mounted bracket with bolt(M10). Prepare the installation base of the unit according to the dimensions below.

UNIT MOUNTING DIMENSIONS

The following is a list of different outdoor unit sizes and the distance between their mounting feet. Prepare the installation base of the unit according to the dimensions below.



! IN COLD CLIMATES

In cold climates, make sure that the drain hose is as vertical as possible to ensure swift water drainage. If water drains too slowly, it can freeze in the hose and flood the unit.

Outdoor Unit Dimensions (mm)	Mounting Dimensions	
	W x H x D	Distance A (mm)
681x434x285 (26.8" x 17.1" x 11.2")	460 (18.1")	292 (11.5")
700x550x270 (27.5" x 21.6" x 10.6")	450 (17.7")	260 (10.2")
700x550x275 (27.5" x 21.6" x 10.8")	450 (17.7")	260 (10.2")
720x495x270 (28.3" x 19.5" x 10.6")	452 (17.8")	255 (10.0")
728x555x300 (28.7" x 21.8" x 11.8")	452 (17.8")	302(11.9")
765x555x303 (30.1" x 21.8" x 11.9")	452 (17.8")	286(11.3")
770x555x300 (30.3" x 21.8" x 11.8")	487 (19.2")	298 (11.7")
805x554x330 (31.7" x 21.8" x 12.9")	511 (20.1")	317 (12.5")
800x554x333 (31.5" x 21.8" x 13.1")	514 (20.2")	340 (13.4")
845x702x363 (33.3" x 27.6" x 14.3")	540 (21.3")	350 (13.8")
890x673x342 (35.0" x 26.5" x 13.5")	663 (26.1")	354 (13.9")
946x810x420 (37.2" x 31.9" x 16.5")	673 (26.5")	403 (15.9")
946x810x410 (37.2" x 31.9" x 16.1")	673 (26.5")	403 (15.9")

If you will install the unit on the ground or on a concrete mounting platform, do the following:

1. Mark the positions for four expansion bolts based on dimensions chart.
2. Pre-drill holes for expansion bolts.
3. Place a nut on the end of each expansion bolt.
4. Hammer expansion bolts into the pre-drilled holes.
5. Remove the nuts from expansion bolts, and place outdoor unit on bolts.
6. Put washer on each expansion bolt, then replace the nuts.
7. Using a wrench, tighten each nut until snug.

 **WARNING**

WHEN DRILLING INTO CONCRETE, EYE PROTECTION IS RECOMMENDED AT ALL TIMES.

If you will install the unit on a wall-mounted bracket, do the following:

 **CAUTION**

Make sure that the wall is made of solid brick, concrete, or of similarly strong material. **The wall must be able to support at least four times the weight of the unit.**

1. Mark the position of bracket holes based on dimensions chart.
2. Pre-drill the holes for the expansion bolts.
3. Place a washer and nut on the end of each expansion bolt.
4. Thread expansion bolts through holes in mounting brackets, put mounting brackets in position, and hammer expansion bolts into the wall.
5. Check that the mounting brackets are level.
6. Carefully lift unit and place its mounting feet on brackets.
7. Bolt the unit firmly to the brackets.
8. If allowed, install the unit with rubber gaskets to reduce vibrations and noise.

Step 4: Connect signal and power cables

The outside unit's terminal block is protected by an electrical wiring cover on the side of the unit. A comprehensive wiring diagram is printed on the inside of the wiring cover.

WARNING

BEFORE PERFORMING ANY ELECTRICAL OR WIRING WORK, TURN OFF THE MAIN POWER TO THE SYSTEM.

1. Prepare the cable for connection:

USE THE RIGHT CABLE

Please choose the right cable refer to "Cable types" in page 25.

CHOOSE THE RIGHT CABLE SIZE

The size of the power supply cable, signal cable, fuse, and switch needed is determined by the maximum current of the unit. The maximum current is indicated on the nameplate located on the side panel of the unit.

NOTE: In North America, please choose the right cable size according to the Minimum Circuit Ampacity indicated on the nameplate of the unit.

- Using wire strippers, strip the rubber jacket from both ends of cable to reveal about 40mm (1.57in) of the wires inside.
- Strip the insulation from the ends of the wires.
- Using a wire crimper, crimp u-lugs on the ends of the wires.

PAY ATTENTION TO LIVE WIRE

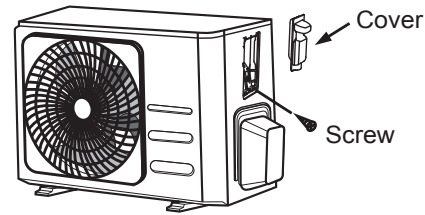
While crimping wires, make sure you clearly distinguish the Live ("L") Wire from other wires.

WARNING

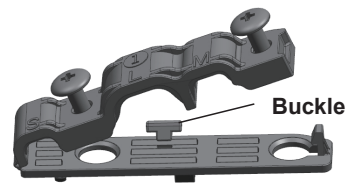
ALL WIRING WORK MUST BE PERFORMED STRICTLY IN ACCORDANCE WITH THE WIRING DIAGRAM LOCATED INSIDE OF WIRE COVER OF THE OUTDOOR UNIT .

- Unscrew the electrical wiring cover and remove it.
- Unscrew the cable clamp below the terminal block and place it to the side.
- Connect the wire according to the wiring diagram, and firmly screw the u-lug of each wire to its corresponding terminal.
- After checking to make sure every connection is secure, loop the wires around to prevent rain water from flowing into the terminal.
- Using the cable clamp, fasten the cable to the unit. Screw the cable clamp down tightly.

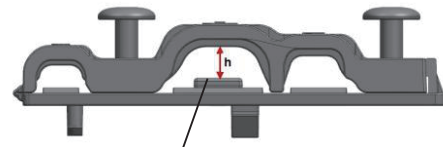
- Insulate unused wires with PVC electrical tape. Arrange them so that they do not touch any electrical or metal parts.
- Replace the wire cover on the side of the unit, and screw it in place.



NOTE: If the cable clamp looks like the following, please select the appropriate through-hole according to the diameter of the wire.



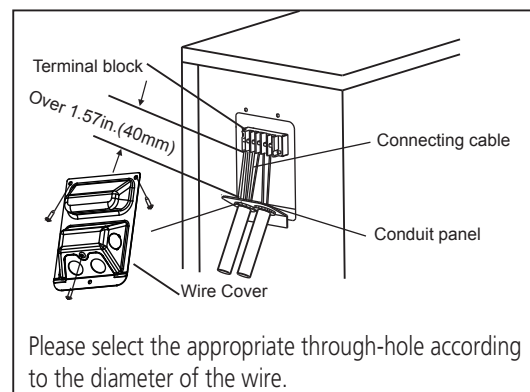
Three size hole: Small, Large, Medium



When the cable is not fasten enough, use the buckle to prop it up, so it can be clamped tightly.

In North America

- Remove the wire cover from the unit by loosening the 3 screws.
- Dismount caps on the conduit panel.
- Temporarily mount the conduit tubes(not included) on the conduit panel.
- Properly connect both the power supply and low voltage lines to the corresponding terminals on the terminal block.
- Ground the unit in accordance with local codes.
- Be sure to size each wire allowing several inches longer than the required length for wiring.
- Use lock nuts to secure the conduit tubes.



Refrigerant Piping Connection

When connecting refrigerant piping, **do not** let substances or gases other than the specified refrigerant enter the unit. The presence of other gases or substances will lower the unit's capacity, and can cause abnormally high pressure in the refrigeration cycle. This can cause explosion and injury.

Note on Pipe Length

The length of refrigerant piping will affect the performance and energy efficiency of the unit. Nominal efficiency is tested on units with a pipe length of 5 meters (16.5ft) (In North America, the standard pipe length is 7.5m (25')). A minimum pipe run of 3 metres is required to minimise vibration & excessive noise. In special tropical area, for the R290 refrigerant models, no refrigerant can be added and the maximum length of refrigerant pipe should not exceed 10 meters(32.8ft).

Refer to the table below for specifications on the maximum length and drop height of piping.

Maximum Length and Drop Height of Refrigerant Piping per Unit Model

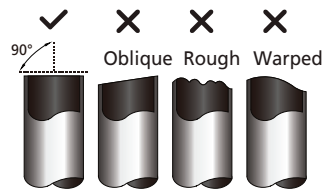
Model	Capacity (BTU/h)	Max. Length (m)	Max. Drop Height (m)
R410A,R32 Inverter Split Air Conditioner	< 15,000	25 (82ft)	10 (33ft)
	≥ 15,000 and < 24,000	30 (98.5ft)	20 (66ft)
	≥ 24,000 and < 36,000	50 (164ft)	25 (82ft)
R22 Fixed-speed Split Air Conditioner	< 18,000	10 (33ft)	5 (16ft)
	≥ 18,000 and < 21,000	15 (49ft)	8(26ft)
	≥ 21,000 and < 35,000	20 (66ft)	10(33ft)
R410A, R32 Fixed-speed Split Air Conditioner	< 18,000	20 (66ft)	8(26ft)
	≥ 18,000 and < 36,000	25 (82ft)	10(33ft)

Connection Instructions – Refrigerant Piping

Step 1: Cut pipes

When preparing refrigerant pipes, take extra care to cut and flare them properly. This will ensure efficient operation and minimize the need for future maintenance.

1. Measure the distance between the indoor and outdoor units.
2. Using a pipe cutter, cut the pipe a little longer than the measured distance.
3. Make sure that the pipe is cut at a perfect 90° angle.



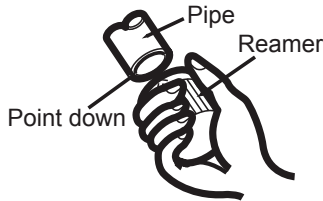
DO NOT DEFORM PIPE WHILE CUTTING

Be extra careful not to damage, dent, or deform the pipe while cutting. This will drastically reduce the heating efficiency of the unit.

Step 2: Remove burrs

Burrs can affect the air-tight seal of refrigerant piping connection. They must be completely removed.

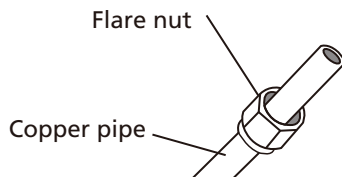
1. Hold the pipe at a downward angle to prevent burrs from falling into the pipe.
2. Using a reamer or deburring tool, remove all burrs from the cut section of the pipe.



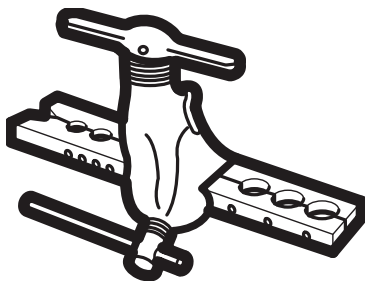
Step 3: Flare pipe ends

Proper flaring is essential to achieve an airtight seal.

1. After removing burrs from cut pipe, seal the ends with PVC tape to prevent foreign materials from entering the pipe.
2. Sheath the pipe with insulating material.
3. Place flare nuts on both ends of pipe. Make sure they are facing in the right direction, because you can't put them on or change their direction after flaring.

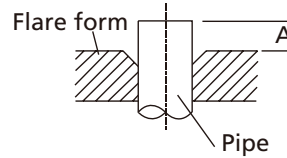


4. Remove PVC tape from ends of pipe when ready to perform flaring work.
5. Clamp flare form on the end of the pipe. The end of the pipe must extend beyond the edge of the flare form in accordance with the dimensions shown in the table below.



PIPING EXTENSION BEYOND FLARE FORM

Outer Diameter of Pipe (mm)	A (mm)	
	Min.	Max.
Ø 6.35 (Ø 0.25")	0.7 (0.0275")	1.3 (0.05")
Ø 9.52 (Ø 0.375")	1.0 (0.04")	1.6 (0.063")
Ø 12.7 (Ø 0.5")	1.0 (0.04")	1.8 (0.07")
Ø 16 (Ø 0.63")	2.0 (0.078")	2.2 (0.086")
Ø 19 (Ø 0.75")	2.0 (0.078")	2.4 (0.094")



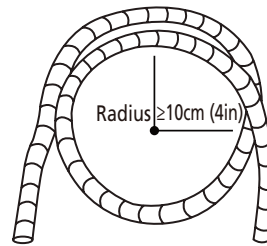
6. Place flaring tool onto the form.
7. Turn the handle of the flaring tool clockwise until the pipe is fully flared.
8. Remove the flaring tool and flare form, then inspect the end of the pipe for cracks and even flaring.

Step 4: Connect pipes

When connecting refrigerant pipes, be careful not to use excessive torque or to deform the piping in any way. You should first connect the low-pressure pipe, then the high-pressure pipe.

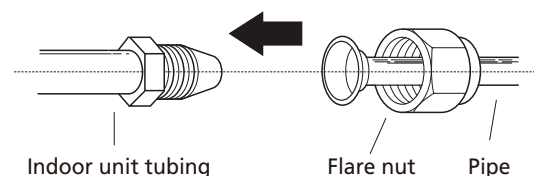
MINIMUM BEND RADIUS

When bending connective refrigerant piping, the minimum bending radius is 10cm.

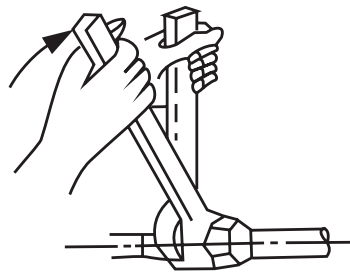


Instructions for Connecting Piping to Indoor Unit

1. Align the center of the two pipes that you will connect.



- Tighten the flare nut as tightly as possible by hand.
- Using a spanner, grip the nut on the unit tubing.
- While firmly gripping the nut on the unit tubing, use a torque wrench to tighten the flare nut according to the torque values in the **Torque Requirements** table below. Loosen the flaring nut slightly, then tighten again.



TORQUE REQUIREMENTS

Outer Diameter of Pipe (mm)	Tightening Torque (N•m)	Flare dimension(B) (mm)	Flare shape
Ø 6.35 (Ø 0.25")	18~20(180~200kgf.cm)	8.4~8.7 (0.33~0.34")	
Ø 9.52 (Ø 0.375")	32~39(320~390kgf.cm)	13.2~13.5 (0.52~0.53")	
Ø 12.7 (Ø 0.5")	49~59(490~590kgf.cm)	16.2~16.5 (0.64~0.65")	
Ø 16 (Ø 0.63")	57~71(570~710kgf.cm)	19.2~19.7 (0.76~0.78")	
Ø 19 (Ø 0.75")	67~101(670~1010kgf.cm)	23.2~23.7 (0.91~0.93")	

⊘ DO NOT USE EXCESSIVE TORQUE

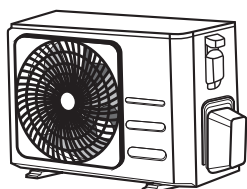
Excessive force can break the nut or damage the refrigerant piping. You must not exceed torque requirements shown in the table above.

Instructions for Connecting Piping to Outdoor Unit

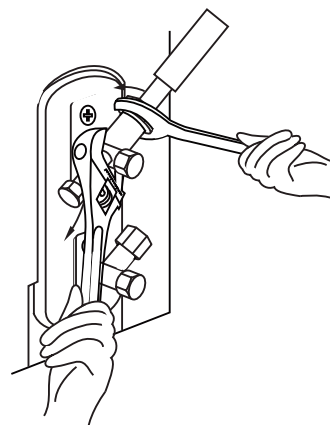
- Unscrew the cover from the packed valve on the side of the outdoor unit.
- Remove protective caps from ends of valves.
- Align flared pipe end with each valve, and tighten the flare nut as tightly as possible by hand.
- Using a spanner, grip the body of the valve. Do not grip the nut that seals the service valve.
- Loosen the flaring nut slightly, then tighten again.
- Repeat Steps 3 to 6 for the remaining pipe.

! USE SPANNER TO GRIP MAIN BODY OF VALVE

Torque from tightening the flare nut can snap off other parts of valve.



Valve cover



- While firmly gripping the body of the valve, use a torque wrench to tighten the flare nut according to the correct torque values.

Air Evacuation

Preparations and Precautions

Air and foreign matter in the refrigerant circuit can cause abnormal rises in pressure, which can damage the air conditioner, reduce its efficiency, and cause injury. Use a vacuum pump and manifold gauge to evacuate the refrigerant circuit, removing any non-condensable gas and moisture from the system.

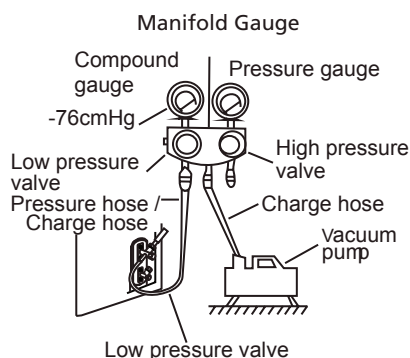
Evacuation should be performed upon initial installation and when unit is relocated.

BEFORE PERFORMING EVACUATION

- ☑ Check to make sure the connective pipes between the indoor and outdoor units are connected properly.
- ☑ Check to make sure all wiring is connected properly.

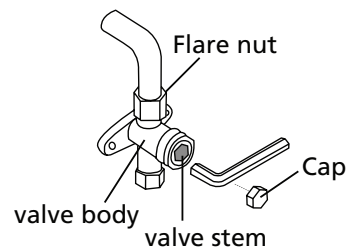
Evacuation Instructions

1. Connect the charge hose of the manifold gauge to service port on the outdoor unit's low pressure valve.
2. Connect another charge hose from the manifold gauge to the vacuum pump.
3. Open the Low Pressure side of the manifold gauge. Keep the High Pressure side closed.
4. Turn on the vacuum pump to evacuate the system.
5. Run the vacuum for at least 15 minutes, or until the Compound Meter reads -76cmHg (-10^5Pa).



6. Close the Low Pressure side of the manifold gauge, and turn off the vacuum pump.
7. Wait for 5 minutes, then check that there has been no change in system pressure.

8. If there is a change in system pressure, refer to Gas Leak Check section for information on how to check for leaks. If there is no change in system pressure, unscrew the cap from the packed valve (high pressure valve).
9. Insert hexagonal wrench into the packed valve (high pressure valve) and open the valve by turning the wrench in a $1/4$ counterclockwise turn. Listen for gas to exit the system, then close the valve after 5 seconds.
10. Watch the Pressure Gauge for one minute to make sure that there is no change in pressure. The Pressure Gauge should read slightly higher than atmospheric pressure.
11. Remove the charge hose from the service port.



12. Using hexagonal wrench, fully open both the high pressure and low pressure valves.
13. Tighten valve caps on all three valves (service port, high pressure, low pressure) by hand. You may tighten it further using a torque wrench if needed.

! OPEN VALVE STEMS GENTLY

When opening valve stems, turn the hexagonal wrench until it hits against the stopper. Do not try to force the valve to open further.

Note on Adding Refrigerant

Some systems require additional charging depending on pipe lengths. The standard pipe length varies according to local regulations. For example, in North America, the standard pipe length is 7.5m (25'). In other areas, the standard pipe length is 5m (16'). The refrigerant should be charged from the service port on the outdoor unit's low pressure valve. The additional refrigerant to be charged can be calculated using the following formula:

ADDITIONAL REFRIGERANT PER PIPE LENGTH

Connective Pipe Length (m)	Air Purging Method	Additional Refrigerant	
≤ Standard pipe length	Vacuum Pump	N/A	
> Standard pipe length	Vacuum Pump	Liquid Side: Ø 6.35 (ø 0.25") R32: (Pipe length – standard length) x 12g/m (Pipe length – standard length) x 0.13oz/ft R290: (Pipe length – standard length) x 10g/m (Pipe length – standard length) x 0.10oz/ft R410A: (Pipe length – standard length) x 15g/m (Pipe length – standard length) x 0.16oz/ft R22: (Pipe length – standard length) x 20g/m (Pipe length – standard length) x 0.21oz/ft	Liquid Side: Ø 9.52 (ø 0.375") R32: (Pipe length – standard length) x 24g/m (Pipe length – standard length) x 0.26oz/ft R290: (Pipe length – standard length) x 18g/m (Pipe length – standard length) x 0.19oz/ft R410A: (Pipe length – standard length) x 30g/m (Pipe length – standard length) x 0.32oz/ft R22: (Pipe length – standard length) x 40g/m (Pipe length – standard length) x 0.42oz/ft

For R290 refrigerant unit, the total amount of refrigerant to be charged is no more than: 387g(≤9000Btu/h), 447g(>9000Btu/h and ≤12000Btu/h), 547g(>12000Btu/h and ≤18000Btu/h), 632g(>18000Btu/h and ≤24000Btu/h).

 **CAUTION** DO NOT mix refrigerant types.

Electrical and Gas Leak Checks

Before Test Run

Only perform test run after you have completed the following steps:

- **Electrical Safety Checks** – Confirm that the unit's electrical system is safe and operating properly
- **Gas Leak Checks** – Check all flare nut connections and confirm that the system is not leaking
- Confirm that gas and liquid (high and low pressure) valves are fully open

Electrical Safety Checks

After installation, confirm that all electrical wiring is installed in accordance with local and national regulations, and according to the Installation Manual.

BEFORE TEST RUN

Check Grounding Work

Measure grounding resistance by visual detection and with grounding resistance tester. Grounding resistance must be less than 0.1Ω .

Note: This may not be required for some locations in North America.

DURING TEST RUN

Check for Electrical Leakage

During the **Test Run**, use an electroprobe and multimeter to perform a comprehensive electrical leakage test.

If electrical leakage is detected, turn off the unit immediately and call a licensed electrician to find and resolve the cause of the leakage.

Note: This may not be required for some locations in North America.

WARNING – RISK OF ELECTRIC SHOCK

ALL WIRING MUST COMPLY WITH LOCAL AND NATIONAL ELECTRICAL CODES, AND MUST BE INSTALLED BY A LICENSED ELECTRICIAN.

Gas Leak Checks

There are two different methods to check for gas leaks.

Soap and Water Method

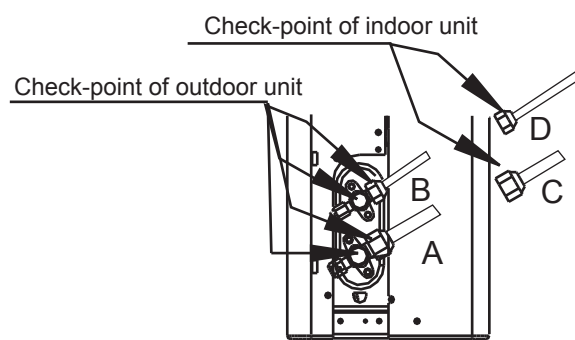
Using a soft brush, apply soapy water or liquid detergent to all pipe connection points on the indoor unit and outdoor unit. The presence of bubbles indicates a leak.

Leak Detector Method

If using leak detector, refer to the device's operation manual for proper usage instructions.

AFTER PERFORMING GAS LEAK CHECKS

After confirming that the all pipe connection points **DO NOT** leak, replace the valve cover on the outside unit.



A: Low pressure stop valve
B: High pressure stop valve
C & D: Indoor unit flare nuts

Test Run

Test Run Instructions

You should perform the **Test Run** for at least 30 minutes.

1. Connect power to the unit.
2. Press the **ON/OFF** button on the remote controller to turn it on.
3. Press the **MODE** button to scroll through the following functions, one at a time:
 - COOL – Select lowest possible temperature
 - HEAT – Select highest possible temperature
4. Let each function run for 5 minutes, and perform the following checks:

List of Checks to Perform	PASS/FAIL	
No electrical leakage		
Unit is properly grounded		
All electrical terminals properly covered		
Indoor and outdoor units are solidly installed		
All pipe connection points do not leak	Outdoor (2):	Indoor (2):
Water drains properly from drain hose		
All piping is properly insulated		
Unit performs COOL function properly		
Unit performs HEAT function properly		
Indoor unit louvers rotate properly		
Indoor unit responds to remote controller		

DOUBLE-CHECK PIPE CONNECTIONS

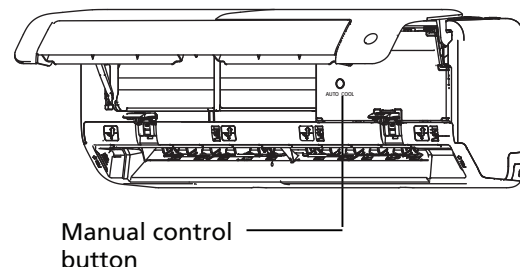
During operation, the pressure of the refrigerant circuit will increase. This may reveal leaks that were not present during your initial leak check. Take time during the Test Run to double-check that all refrigerant pipe connection points do not have leaks. Refer to **Gas Leak Check** section for instructions.

5. After the Test Run is successfully completed, and you confirm that all checks points in List of Checks to Perform have PASSED, do the following:
 - a. Using remote control, return unit to normal operating temperature.
 - b. Using insulation tape, wrap the indoor refrigerant pipe connections that you left uncovered during the indoor unit installation process.

IF AMBIENT TEMPERATURE IS BELOW 17°C (62°F)

You can't use the remote controller to turn on the COOL function when the ambient temperature is below 16°C. In this instance, you can use the **MANUAL CONTROL** button to test the COOL function.

1. The **MANUAL CONTROL** button is located on the right-hand side panel of the unit.
2. Press the button 2 times to select the COOL function.
3. Perform Test Run as normal.



Packing and unpacking the unit

Instructions for packing and unpacking the unit:

Unpacking:

Indoor unit:

1. Cut the sealing tape on the carton with a knife, one cut on the left, one cut in the middle and one cut on the right.
2. Use the vice to take out the sealing nails on the top of the carton.
3. Open the carton.
4. Take out the middle support plate if it is included.
5. Take out the accessory package, and take out the connecting wire if it is included.
6. Lift the machine out of the carton and lay it flat.
7. Remove the left and right package foam or the upper and lower packaging foam, untie the packaging bag.

Outdoor Unit

1. Cut the packing belt.
2. Take the unit out of the carton.
3. Remove the foam from the unit.
4. Remove the packaging bag from the unit.

Packing:

Indoor unit:

1. Put the indoor unit into the packing bag.
2. Attach the left and right package foam or the upper and lower packaging foam to the unit.
3. Put the unit into the carton, then put accessory package in.
4. Close the carton and seal it with the tape.
5. Using the packing belt if necessary.

Outdoor unit:

1. Put the outdoor unit into the packing bag.
2. Put the bottom foam into the box.
3. Put the unit into the carton, then put the upper packaging foam on the unit.
4. Close the carton and seal it with the tape.
5. Using the packing belt if necessary.

NOTE: Please keep all packaging items if you may need in the future.

The design and specifications are subject to change without prior notice for product improvement. Consult with the sales agency or manufacturer for details. Any updates to the manual will be uploaded to the service website, please check for the latest version.

CS014UI-EP(B)



CLIMATISEUR DU TYPE SPLIT

Manuel d'utilisateur & Manuel d'installation



MODÈLE: IDUMSEPC-18HRFN1MU0W
IDUMSEPD-24HRFN1MU0W



NOTE IMPORTANTE :

Lisez attentivement ce manuel et le MANUEL DE SÉCURITÉ (le cas échéant) avant d'installer ou d'utiliser votre nouvelle unité de climatisation. Veillez à conserver ce manuel pour toute référence ultérieure.

Veillez vérifier les modèles applicables, les données techniques, le F-GAS (le cas échéant) et les informations du fabricant dans le « Manuel d'utilisateur - Fiche de produit » dans l'emballage de l'unité extérieure (produits de l'Union européenne uniquement) ou dans l'emballage de l'unité intérieure (selon le modèle).

Table des Matières

Précautions de sécurité	04
--------------------------------------	-----------

Manuel d'Utilisateur

Spécifications et fonctions de l'unité	08
1. Affichage d'unité intérieure	08
2. Température de fonctionnement.....	09
3. Autres fonctions	10
4. Réglage de l'angle du flux d'air.....	11
5. Fonctionnement manuel (sans télécommande)	11
Entretien et Maintenance	12
Dépannage	14

Manuel d'installation

Accessoires	17
Résumé de l'installation - Unité intérieure.....	18
Pièces de l'unité	19
Installation de l'unité intérieure	20
1. Sélectionner l'emplacement de l'installation.....	20
2. Fixer la plaque de montage au mur.....	20
3. Percer un trou au mur pour la tuyauterie de connexion	21
4. Préparer la tuyauterie de réfrigérant.....	22
5. Connecter les tuyaux de drainage.....	24
6. Connecter le câble de signal	25
7. Enrouler la tuyauterie et les câbles	26
8. Installer l'unité intérieure.....	27
Installation de l'unité extérieure.....	27
1. Sélectionner l'emplacement de l'installation.....	27
2. Installer le joint de drainage.....	28
3. Fixer l'unité extérieure	28
4. Connecter les câbles de signal et alimentation	30
Raccordement de la tuyauterie de réfrigérant.....	31
A. Note sur la longueur de tuyau	31
B. Instructions de raccordement - Tuyauterie de réfrigérant	31
1. Couper le tuyau	31
2. Enlever les bavures	32
3. Évaser les extrémités des tuyaux.....	32
4. Connecter les tuyaux.....	32
Évacuation d'air.....	34
1. Instructions d'évacuation.....	34
2. Note relative à l'ajout de réfrigérant.....	35
Vérification des fuites de gaz et d'électricité.....	36
Mise en service	37
Emballage et déballage de l'unité	38

Précautions de sécurité

Lisez les précautions de sécurité avant l'utilisation et l'installation

Une installation incorrecte due au non-respect des instructions peut causer de graves dommages ou des blessures.

La gravité des dommages ou blessures potentiels est classée par **AVERTISSEMENT** ou par **ATTENTION**.



AVERTISSEMENT

Ce symbole indique la possibilité de dommages corporels ou de pertes de vies humaines.



ATTENTION

Ce symbole indique la possibilité de dommages matériels ou de conséquences graves.



AVERTISSEMENT

Cet appareil peut être utilisé par des enfants âgés de 8 ans et plus et par des personnes ayant des capacités physiques, sensorielles ou mentales réduites ou manquant d'expérience et de connaissances, à condition qu'elles aient été supervisées ou qu'elles aient reçu des instructions concernant l'utilisation de l'appareil de manière sûre et qu'elles comprennent les risques encourus. Les enfants ne doivent pas jouer avec l'appareil. Le nettoyage et l'entretien des utilisateurs ne doivent pas être effectués par des enfants sans surveillance (exigences de la norme EN).

Cet appareil n'est pas destiné à être utilisé par des personnes (y compris des enfants) dont les capacités physiques, sensorielles ou mentales sont réduites ou qui manquent d'expérience et de connaissances, sauf si elles ont été supervisées ou instruites sur l'utilisation de l'appareil par une personne responsable de leur sécurité. Les enfants doivent être surveillés pour s'assurer qu'ils ne jouent pas avec l'appareil.



AVERTISSEMENTS POUR L'UTILISATION DU PRODUIT

- En cas d'anomalie (comme une odeur de brûlure), il faut éteindre immédiatement l'unité et débrancher l'alimentation. Appelez votre revendeur pour des instructions afin d'éviter le choc électrique, l'incendie ou les blessures.
- **Ne pas** insérer les doigts, les tiges ou autres objets dans l'entrée ou la sortie d'air. Cela peut causer des blessures, car le ventilateur peut tourner à haute vitesse.
- **Ne pas** utiliser de sprays inflammables tels que la laque pour les cheveux, la laque ou la peinture près de l'unité. Cela peut provoquer un incendie ou une combustion.
- **Ne pas** faire fonctionner le climatiseur à proximité ou autour des gaz combustibles. Les gaz émis peuvent s'accumuler autour de l'appareil et provoquer une explosion.
- **Ne pas** faire fonctionner le climatiseur dans une pièce humide telle qu'une salle de bain ou une buanderie. Une exposition excessive à l'eau peut provoquer un court-circuit des composants électriques.
- **Ne pas** exposer votre corps directement à l'air frais pendant une période de temps prolongée.
- **Ne pas** laisser les enfants jouer autour du climatiseur. Les enfants doivent être surveillés à tout moment autour de l'unité.
- Si le climatiseur est utilisé avec des brûleurs ou d'autres unités de chauffage, aérez entièrement la salle pour éviter une carence en oxygène.
- Dans certains environnements fonctionnels, tels que les cuisines, les salles de serveurs, etc., l'utilisation d'unités de climatisation spécialement conçues est fortement recommandée.

AVERTISSEMENTS DE NETTOYAGE ET DE MAINTENANCE

- Éteignez le dispositif et débranchez l'alimentation avant le nettoyage. La négligence de cette opération peut provoquer un choc électrique.
- **Ne pas** nettoyer le climatiseur avec des quantités excessives d'eau.
- **Ne pas** nettoyer le climatiseur avec des produits de nettoyage inflammables. Les produits de nettoyage combustibles peuvent provoquer un incendie ou une déformation.

ATTENTION

- Éteindre le climatiseur et débrancher l'alimentation si vous ne l'utilisez pas pendant une longue période.
- Éteignez et débranchez l'unité pendant les tempêtes.
- Assurez-vous que la condensation de l'eau puisse s'écouler sans entrave de l'unité.
- **Ne pas** faire fonctionner le climatiseur avec les mains mouillées. Cela peut provoquer un choc électrique.
- **Ne pas** utiliser l'unité à d'autres fins que l'utilisation prévue.
- **Ne pas** monter sur ou placer des objets sur le dessus de l'unité extérieure.
- **Ne pas** laisser le climatiseur fonctionner pendant de longues périodes avec des portes ou des fenêtres ouvertes, ou lorsque l'humidité est très élevée.

AVERTISSEMENTS ÉLECTRIQUES

- Utilisez uniquement le câble d'alimentation spécifié. Si le câble d'alimentation est endommagé, ce câble doit être remplacé par le fabricant, son agent de service ou des personnes de qualification similaire pour éviter tout risque.
- Gardez la fiche d'alimentation propre. Enlevez toute la poussière ou la saleté s'accumulant sur ou autour de la fiche. Des fiches sales peuvent provoquer un incendie ou un choc électrique.
- **Ne pas** tirer le câble d'alimentation pour débrancher l'unité. Tenez fermement la fiche et retirez-la de la prise. Le tirage direct sur le câble peut l'endommager, et provoquer un incendie ou un choc électrique.
- **Ne pas** modifier la longueur du câble d'alimentation ou utiliser un câble de rallonge pour alimenter l'unité.
- **Ne pas** partager la prise électrique avec d'autres appareils. Alimentation incorrecte ou insuffisante peut provoquer un incendie ou un choc électrique.
- Le produit doit être mis à la terre au moment de l'installation, sinon, le choc électrique peut-être se produire.
- Pour tous les opérations sous tension, veuillez suivre toutes les normes de câblage locales et nationales, les réglementations et le manuel d'installation. Connectez les câbles étroitement et les serrez fermement pour éviter que des forces externes n'endommagent le terminal. Des connexions électriques incorrectes peuvent surchauffer et provoquer un incendie, ainsi que des chocs. Tous les raccordements électriques doivent être effectués conformément au schéma de raccordement électrique situé sur les panneaux des unités intérieures et extérieures.
- Tout le câblage doit être correctement disposé pour que le couvercle du panneau de commande puisse se fermer correctement. Si le couvercle du panneau de commande n'est pas correctement fermé, cela peut entraîner de la corrosion et provoquer les points de connexion sur la borne à chauffer, s'enflammer ou provoquer un choc électrique.
- Si vous raccordez l'alimentation à un câblage fixe, un dispositif de déconnexion tout pôle ayant au moins 3mm d'espacement dans tous les pôles et un courant de fuite pouvant dépasser 10mA, le dispositif à courant différentiel résiduel ayant un courant de fonctionnement résiduel nominal ne dépassant pas 30mA, et la déconnexion doit être intégrée au câblage fixe conformément aux règles de câblage.

PRENDRE NOTE DES SPÉCIFICATIONS DU FUSIBLE

La carte de circuit imprimé du climatiseur est conçue avec un fusible pour fournir une protection contre les surintensités.

Les spécifications du fusible sont imprimées sur le circuit imprimé, telles que:

T3.15AL/250VAC, T5AL/250VAC, T3.15A/250VAC, T5A/250VAC, T20A/250VAC, T30A/250VAC, etc.


NOTE : Pour les unités avec le réfrigérant R32 ou R290, seul le fusible en céramique résistant aux explosions peut être utilisé.

Lampe UV-C (Applicable uniquement à l'unité contenant une lampe UV-C)

Cet appareil contient une lampe UV-C. Lisez les instructions d'entretien avant d'ouvrir l'appareil.

1. Ne faites pas fonctionner les lampes UV-C à l'extérieur de l'appareil.
2. Les appareils qui sont manifestement endommagés ne doivent pas être utilisés.
3. L'utilisation involontaire de l'appareil ou l'endommagement du boîtier peut entraîner la libération d'un rayonnement UV-C dangereux. Le rayonnement UV-C peut, même à faible dose, être dangereux pour les yeux et la peau.

4. Avant d'ouvrir les portes et les panneaux d'accès portant le symbole de danger de RADIATION ULTRAVIOLET pour la conduite de la MAINTENANCE DE L'UTILISATEUR, il est recommandé de débrancher l'alimentation.
5. La lampe UV-C ne peut pas être nettoyée, réparée et remplacée.
6. Les BARRIERES UV-C portant le symbole de danger de RADIATION ULTRAVIOLET ne doivent pas être enlevées.

 **AVERTISSEMENT** Cet appareil contient un émetteur d'UV. Ne fixez pas la source de lumière.

AVERTISSEMENTS POUR L'INSTALLATION DU PRODUIT

1. L'installation doit être effectuée par un revendeur ou un spécialiste autorisé. L'installation défectueuse peut provoquer une fuite d'eau, un choc électrique ou un incendie.
2. L'installation doit être effectuée conformément aux instructions d'installation. Une installation incorrecte peut provoquer une fuite d'eau, un choc électrique ou un incendie. (En Amérique du Nord, l'installation doit être uniquement effectuée conformément aux exigences de NEC et CEC par un personnel autorisé.)
3. Contactez un technicien de service autorisé pour la réparation ou la maintenance de l'unité. L'appareil doit être installé conformément aux réglementations de câblage nationales.
4. Utilisez uniquement les accessoires, les pièces, ainsi que les pièces spécifiées incluses pour l'installation. L'utilisation de pièce non standard peut provoquer des fuites d'eau, des chocs électriques, des incendies et peut causer des dommages de l'unité.
5. Installez l'unité dans un emplacement ferme étant capable de supporter son poids. Si l'emplacement choisi ne peut pas supporter le poids de l'unité ou si l'installation n'est pas effectuée correctement, l'unité peut tomber et subir des blessures graves et des dommages.
6. Installez la tuyauterie de drainage conformément aux instructions de ce manuel. Un mauvais drainage peut provoquer des dégâts d'eau à votre maison et vos biens.
7. Pour les unités équipées d'un chauffage électrique auxiliaire, **ne pas** installer l'unité à moins de 1 mètre (3 pieds) de tout matériau combustible.
8. **Ne pas** installer l'unité dans un endroit pouvant être exposé à des fuites de gaz combustible. Si le gaz combustible s'accumule autour de l'unité, cela peut provoquer l'incendie.
9. Ne pas démarrer l'unité avant que tous les travaux soient terminés.
10. Lors du déplacement de climatiseur, consultez des techniciens de service expérimentés pour la déconnexion et la réinstallation de l'unité.
11. Pour installer l'unité sur son support, veuillez lire les informations dans les sections « Installation de l'unité intérieure » et « Installation de l'unité extérieure » pour plus de détails.

Note sur les gaz fluorés (non applicable à l'unité utilisant le réfrigérant R290)

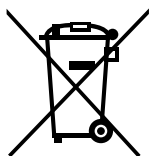
1. Ce climatiseur contient des gaz de serre fluorés. Pour des informations spécifiques sur le type de gaz et la quantité, veuillez vous reporter à l'étiquette appropriée sur l'unité ou dans le « Manuel d'utilisateur - Fiche de produit » dans l'emballage de l'unité extérieure. (Produits de l'Union européenne uniquement).
2. L'installation, le service, la maintenance et la réparation de l'unité doivent être effectués par un technicien certifié.
3. Le démontage et le recyclage du produit doivent être effectués par un technicien certifié.
4. Pour les équipements qui contiennent des gaz à effet de serre fluorés en quantité égale ou supérieure à 5 tonnes d'équivalent CO₂, mais inférieure à 50 tonnes d'équivalent CO₂, si un système de détection des fuites est installé, il doit être vérifié au moins tous les 24 mois.
5. Lorsque l'unité est vérifiée pour les fuites, il est fortement recommandé de conserver un enregistrement de toutes les vérifications.

**AVERTISSEMENT pour l'utilisation de réfrigérant R32/R290**

- Lorsque le réfrigérant inflammable est utilisé, l'unité doit être entreposée dans un puits ventilé où la taille de la salle correspond à celle spécifiée pour le fonctionnement.
Pour les modèles frigorifiques R32 :
L'appareil doit être installé, utilisé et stocké dans une chambre d'une superficie supérieure à 4m².
Pour les modèles à réfrigérant R290, l'appareil doit être installé, utilisé et stocké dans une pièce dont la surface au sol est supérieure à :
<=9000Btu/h unités : 13m²
>9000Btu/h et <=12000Btu/h unités : 17m²
>12000Btu/h et <=18000Btu/h unités : 26m²
>18000Btu/h et <=24000Btu/h unités : 35m²
- Les raccords mécaniques réutilisables et les joints d'évasement ne sont pas autorisés à l'intérieur. (Exigence de la norme **EN**)
- Les connecteurs mécaniques utilisés à l'intérieur ne doivent pas dépasser 3g/an à 25% de la pression maximale admissible. Lorsque les connecteurs mécaniques sont réutilisés à l'intérieur, les pièces d'étanchéité doivent être remplacées. Lorsque les joints plats sont réutilisés à l'intérieur, la partie d'évasement doit être refabriquée. (Exigence de la norme **UL**)
- Lorsque les connecteurs mécaniques sont réutilisés à l'intérieur, les pièces d'étanchéité doivent être remplacées. Lorsque les joints plats sont réutilisés à l'intérieur, la partie d'évasement doit être refabriquée. (Exigence de la norme IEC)
- Les connecteurs mécaniques utilisés à l'intérieur doivent être conformes à la norme ISO 14903.

Lignes directrices européennes en matière d'élimination

Ce marquage figurant sur le produit ou sa documentation indique que les déchets d'équipements électriques et électroniques ne doivent pas être mélangés aux déchets ménagers généraux.



Élimination correcte de ce produit
(Déchets d'équipements électriques et électroniques)

Le présent appareil contient du réfrigérant et d'autres matériaux potentiellement dangereux. Lors de la mise au rebut de cet appareil, la loi exige une collecte et un traitement spéciaux. **Ne pas** disposer ce produit avec les déchets ménagers ou les déchets municipaux non triés.

Lors de la mise au rebut du présent appareil, les options suivantes sont disponibles :

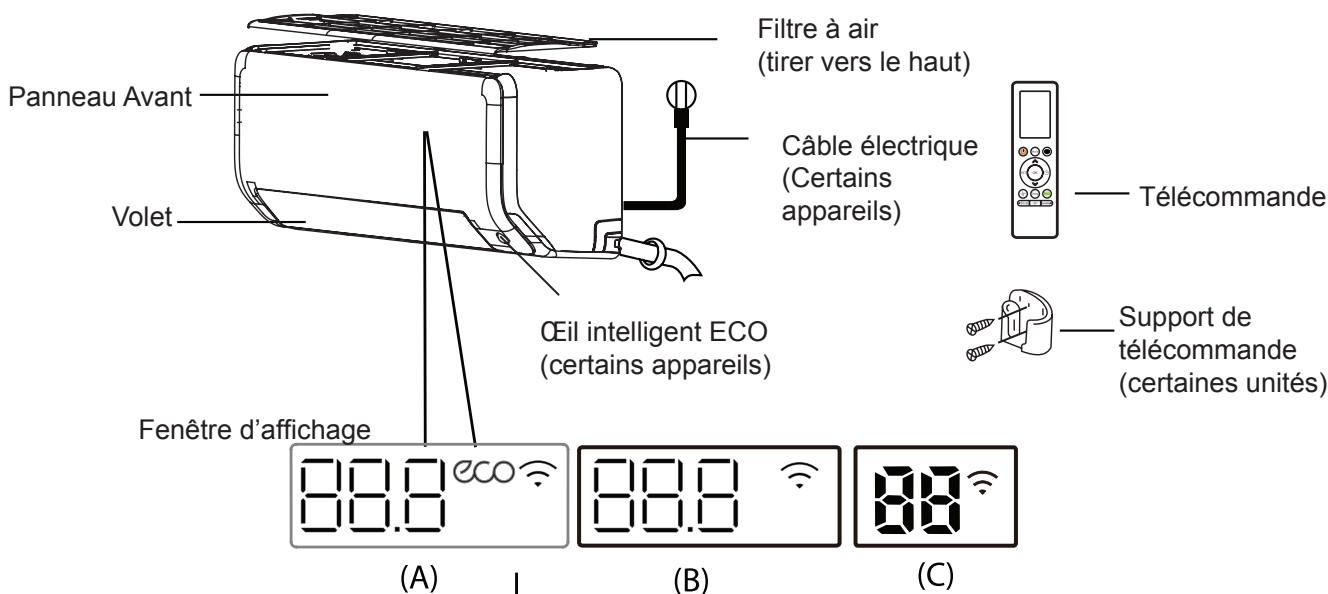
- Disposez l'appareil dans une installation municipale de collecte des déchets électriques.
- Lors de l'achat d'un nouvel appareil, le revendeur reprendra l'ancien unité gratuitement.
- Le fabricant reprendra l'ancien appareil gratuitement.
- Vendez l'appareil aux revendeurs certifiés de ferraille.

Avis spécial

L'élimination de cet appareil dans la forêt ou dans d'autres milieux naturels met en danger votre santé et est mauvaise pour l'environnement. Des substances dangereuses peuvent s'infiltrer dans les eaux souterraines et entrer dans la chaîne alimentaire.

Spécifications et fonctions de l'unité

Affichage de l'unité intérieure



« 88.8 » « 88 » Affiche la température, la fonction et les codes d'erreur :

« 01 » pendant 3 secondes lorsque :

- TIMER ON est réglé (si l'unité est éteint, « 01 » reste allumé quand TIMER ON est réglé)
- Les fonctions FRESH, UV-C lamp, SWING, TURBO, ECO, BREEZE AWAY, ECO INTELLIGENT EYE ou SILENCE sont activées.

« 02 » pendant 3 secondes lorsque :

- TIMER OFF est réglé
- Les fonctions FRESH, UV-C lamp, SWING, TURBO, ECO, BREEZE AWAY, ECO INTELLIGENT EYE ou SILENCE sont désactivées.

« dF » lors du dégivrage (pour unités de refroidissement & de chauffage)

« CL » lorsque la fonction de nettoyage actif est activée

« FP » lorsque le mode de chauffage 8°C (46°F) est activé (certaines unités)

« ECO » lorsque la fonction ECO est activée (certaines unités)

«  » lorsque la fonction commande sans fil est activée (certaines unités)

Signification du code d'affichage

NOTE : Différents modèles ont un panneau avant et une fenêtre d'affichage différents. Tous les indicateurs décrits ci-dessous ne sont pas disponibles pour le climatiseur que vous avez acheté. Veuillez vérifier la fenêtre d'affichage intérieure de l'unité que vous avez achetée.

Les illustrations de ce manuel sont à titre explicatif. La forme réelle de votre unité intérieure peut être légèrement différente. La forme réelle prévaut.

Température de fonctionnement

Lorsque votre climatiseur est utilisé en dehors des plages de température suivantes, certaines fonctions de protection de sécurité peuvent s'activer et entraîner la désactivation de l'appareil.

Onduleur Type Split

	Mode COOL	mode HEAT	Mode DRY
Température ambiante	16°C - 32°C (62°F - 90°F)	0°C - 30°C (32°F - 86°F)	10°C - 32°C (50°F - 90°F)
Température extérieure	0°C - 50°C (32°F - 122°F)	-15°C - 24°C (5°F - 75°F)	0°C - 50°C (32°F - 122°F)
	-15°C - 50°C (5°F - 122°F) (Pour les modèles avec les systèmes de refroidissement à basse température)		
	0°C - 52°C (32°F - 126°F) (Pour les modèles tropicaux spéciaux)		0°C - 52°C (32°F - 126°F) (Pour les modèles tropicaux spéciaux)

POUR LES UNITÉS EXTÉRIEURES ÉQUIPÉES D'UN RÉCHAUFFEUR DE BASE OU D'UN RÉCHAUFFEUR DE CARTER

Lorsque la température extérieure est inférieure à 0°C (32°F), nous vous recommandons fortement de garder l'appareil branché à tout moment pour assurer une performance régulière et continue.

Spécifications et fonctions de l'unité

Type à vitesse fixe

	Mode COOL	Mode HEAT	Mode DRY
Chambre Température	16°C-32°C (62°F-90°F)	0°C-30°C (32°F-86°F)	10°C-32°C (50°F-90°F)
Extérieur Température	18°C-43°C (64°F-109°F)	-7°C-24°C (19°F -75°F)	11°C-43°C (52°F-109°F)
	-7°C-43°C (19°F-109°F) (Pour les modèles avec les systèmes de refroidissement à basse température)		18°C-43°C (64°F-109°F)
	18°C-52°C (64°F-126°F) (Pour les modèles tropicaux spéciaux)		18°C-52°C (64°F-126°F) (Pour les modèles tropicaux spéciaux)

NOTE : Humidité relative de la chambre inférieure à 80%. Si le climatiseur fonctionne au-delà de cette valeur, la surface du climatiseur peut attirer la condensation. Veuillez régler la grille d'aération verticale à son angle maximum (verticalement par rapport au sol), et réglez le mode de ventilation HIGH.

Pour optimiser davantage les performances de votre appareil, veuillez procéder comme suit :

- Gardez les portes et les fenêtres fermées.
- Limitez la consommation d'énergie en utilisant les fonctions TIMER ON et TIMER OFF.
- Ne pas bloquer les entrées ou les sorties d'air.
- Inspectez et nettoyez régulièrement les filtres d'air.

Un guide sur l'utilisation de la télécommande infrarouge n'est pas inclus dans cette documentation. Toutes les fonctions ne sont pas disponibles pour le climatiseur, veuillez vérifier l'affichage intérieur et la télécommande de l'appareil que vous avez acheté.

Autres fonctions

- **Redémarrage automatique (certaines unités)**
Si l'appareil perd l'alimentation électrique, il redémarrera automatiquement avec les réglages précédents une fois l'alimentation est rétablie.
- **Anti-moisissure (certaines unités)**
Lorsque l'appareil est éteint en mode COOL, AUTO (COOL) ou DRY, le climatiseur continue de fonctionner à très faible puissance pour sécher l'eau condensée et empêcher la formation de moisissure.
- **Commande sans fil (certaines unités)**
La commande sans fil vous permet de contrôler votre climatiseur à l'aide de votre téléphone mobile et d'une connexion sans fil.
Pour l'accès au dispositif USB, le remplacement, les opérations de maintenance doivent être effectués par du personnel professionnel.
- **Mémoire d'angle de volet (certaines unités)**
Lorsque vous allumez votre appareil, le volet reprend automatiquement son ancien angle.
- **Fonction Nettoyage actif (certaines unités)**
 - La technologie Nettoyage actif dégage la poussière, la moisissure et la graisse qui peuvent causer des odeurs lorsqu'elle adhère à l'échangeur de chaleur en congelant automatiquement, puis en dégelant rapidement le givre. Un son «pi-pi» sera entendu. L'opération Nettoyage actif est utilisée pour produire plus d'eau condensée afin d'améliorer l'effet de nettoyage, et l'air froid sera expulsé. Après le nettoyage, la roue à vent interne continue à fonctionner avec l'air chaud pour sécher l'évaporateur, empêchant ainsi la croissance de la moisissure et gardant l'intérieur propre.
 - Lorsque cette fonction est activée, la fenêtre d'affichage de l'unité intérieure apparaît « CL », après 20 à 45 minutes, l'unité s'éteint automatiquement et annule la fonction Nettoyage actif.
- **Brise éloignée (certaines unités)**
Cette fonction évite que l'air ne souffle directement sur le corps et vous faites exposer à la fraîcheur soyeuse.

- **Détection de fuite de réfrigérant (certaines unités)**

L'appareil intérieure affiche automatiquement « ELOC » lorsque l'appareil détecte une fuite de réfrigérant.

- **Œil intelligent ECO (certaines unités)**

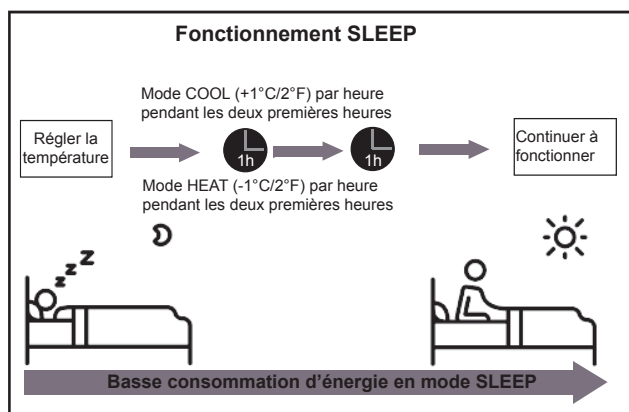
Le système est contrôlé intelligemment en fonction d'œil intelligent. Il peut détecter les activités des personnes dans la chambre. En mode refroidissement, lorsque vous êtes absent pendant 30 minutes, l'appareil réduit automatiquement la fréquence pour économiser de l'énergie (uniquement pour les modèles à onduleur). Et l'unité démarrera et reprendra automatiquement son fonctionnement si elle détecte à nouveau une activité humaine.

- **Fonctionnement de sommeil**

La fonction SLEEP est utilisée pour diminuer la consommation d'énergie pendant le sommeil (et ne nécessite pas les mêmes réglages de température pour rester confortable). Cette fonction ne peut être activée que par la télécommande. Et la fonction SLEEP n'est pas disponible en mode FAN ou DRY. En mode COOL, l'appareil augmente la température de 1°C (2°F) après 1 heure et augmente de 1°C (2°F) supplémentaire après une autre heure.

En mode HEAT, l'appareil diminue la température de 1°C (2°F) après 1 heure et diminue de 1°C (2°F) supplémentaire après une autre heure.

La fonction sommeil s'arrête après 8 heures et le système continue de fonctionner avec la situation finale.



NOTE :

Pour les climatiseurs type multi-split, les fonctions suivantes ne sont pas disponibles : Fonction de nettoyage actif, fonction SILENCE, fonction BREEZE AWAY, fonction de détection des fuites de réfrigérant et fonction Eco.

● Réglage de l'angle du flux d'air

Réglage de l'angle vertical du flux d'air

Lorsque l'appareil est allumé, utilisez le bouton **BALAYAGE** pour régler la direction (l'angle vertical) du flux d'air. Veuillez reporter au Manuel de Télécommande pour plus de détails.

NOTE SUR LES ANGLES DE VOLET

Lorsque vous utilisez le mode COOL ou DRY, ne pas régler le volet à un angle trop vertical pendant une longue période. Cela peut provoquer la condensation de l'eau sur la lame de volet, qui tombera sur votre plancher ou vos meubles.

Lorsque vous utilisez le mode COOL ou HEAT, le réglage du volet à un angle trop vertical peut réduire les performances de l'unité en raison d'un débit d'air restreint.

NOTE : Conformément aux exigences des normes en vigueur, veuillez régler le volet de circulation d'air vertical sur son angle maximal lors du test de capacité de chauffage.

Réglage de l'angle horizontal du flux d'air

L'angle horizontal du flux d'air doit être réglé manuellement. Pincez la tige de déflecteur (voir la **figure B**) et ajuster-la manuellement dans la direction souhaitée.

Pour certaines unités, l'angle horizontal du flux d'air peut être réglé par la télécommande. Veuillez se référer au Manuel de Télécommande.

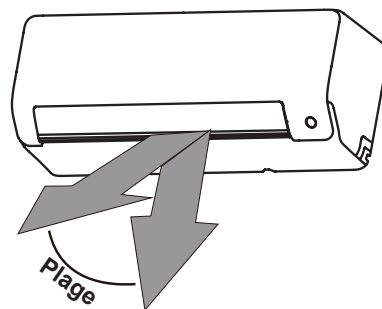
Fonctionnement manuel (sans télécommande)

ATTENTION

Le bouton manuel est destiné à des fins de test et de l'opération d'urgence uniquement. Ne pas utiliser cette fonction à moins que la télécommande soit perdue et c'est absolument nécessaire. Utilisez la télécommande à activer l'unité pour rétablir le fonctionnement normal, L'unité doit être éteinte avant le fonctionnement manuel.

Pour faire fonctionner votre unité manuellement :

1. Localisez le **bouton MANUAL CONTROL** sur le côté droit de l'appareil.
2. Appuyez une fois sur le **bouton MANUAL CONTROL** pour activer le mode FORCED AUTO.
3. Appuyez à nouveau sur le **bouton MANUAL CONTROL** pour activer le mode FORCED COOLING.
4. Appuyez une troisième fois sur le bouton MANUAL CONTROL pour éteindre l'unité.



NOTE : Ne pas déplacer le volet à la main. Cela entraînera la désynchronisation du volet. Si cela se produit, veuillez éteindre l'unité et le débrancher pendant quelques secondes, puis redémarrer l'unité. Cela réinitialisera le volet.

Fig. A

ATTENTION

Ne pas placer vos doigts dans ou près de la soufflerie et du côté d'aspiration de l'unité. Le ventilateur à grande vitesse à l'intérieur de l'unité peut causer des blessures.

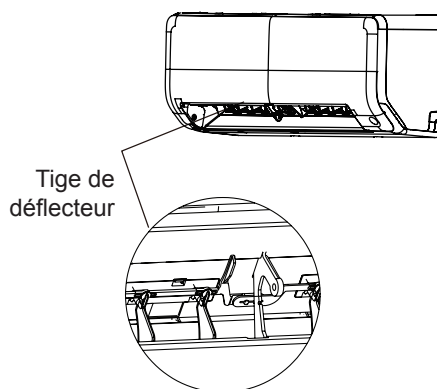


Fig. B

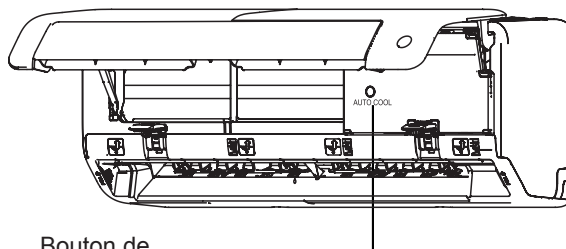


Fig. C

Entretien et maintenance

Nettoyage de l'unité intérieure

⚠ AVANT NETTOYAGE OU MAINTENANCE

ÉTEIGNEZ TOUJOURS VOTRE SYSTÈME DE CLIMATISATION ET DÉBRANCHEZ SON ALIMENTATION ÉLECTRIQUE AVANT TOUT NETTOYAGE OU ENTRETIEN.

⚠ ATTENTION

Utilisez uniquement un chiffon doux et sec pour essuyer l'appareil. Si l'appareil est trop sale, vous pouvez utiliser un chiffon imbibé d'eau tiède pour l'essuyer.

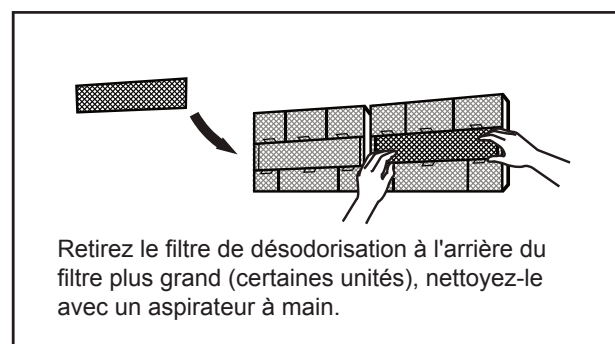
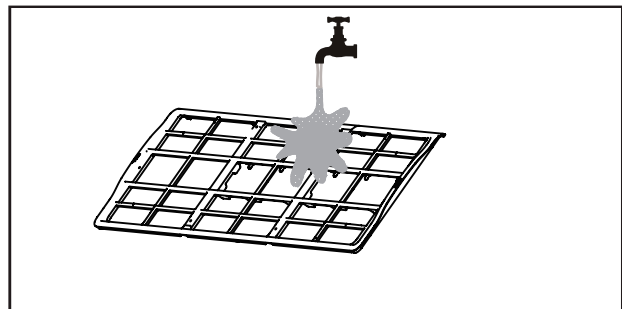
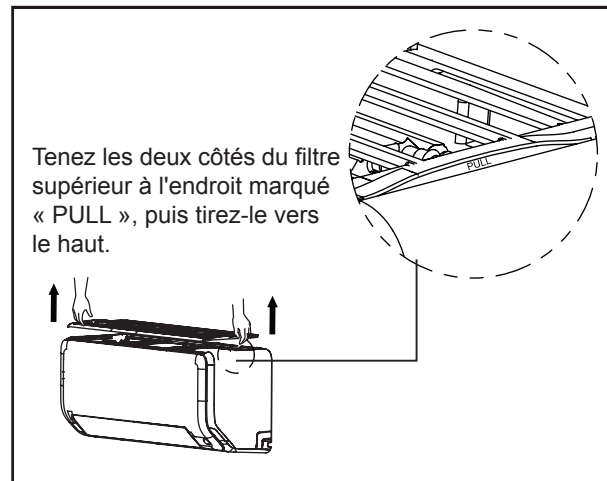
- **Ne pas** utiliser des produits chimiques ou des chiffons traités chimiquement pour nettoyer l'appareil.
- **Ne pas** utiliser du benzène, du diluant à peinture, de la poudre à polir ou d'autres solvants pour nettoyer l'appareil. Ils peuvent faire craquer ou déformer la surface en plastique.
- **Ne pas** utiliser de l'eau de plus de 40°C (104°F) pour nettoyer le panneau avant. Cela peut provoquer la déformation ou la décoloration du panneau.

Nettoyage de votre filtre à air

Un filtre à air bouché peut réduire l'efficacité du refroidissement de votre appareil, peut également rendre le flux d'air irrégulier et trop bruyant, alors veuillez nettoyer le filtre à air aussi souvent que nécessaire. Dès que vous entendez le bruit anormal du flux d'air, veuillez nettoyer immédiatement le filtre à air.

1. Le filtre à air se trouve sur le haut du climatiseur.
2. Tenez les deux côtés du filtre supérieur à l'endroit marqué « PULL », puis tirez-le vers le haut.
3. Si votre filtre est doté des petits filtres d'assainissement de l'air, veuillez les dégager du filtre plus grand. Nettoyez ces filtres de rafraîchissement de l'air avec un aspirateur à main.
4. Nettoyez le grand filtre d'air avec de l'eau chaude et savonneuse. Veillez à utiliser un détergent doux.

5. Rincez le filtre à l'eau douce, puis secouez l'excès d'eau.
6. Faites-le sécher dans un endroit frais et sec, et évitez de l'exposer à la lumière directe du soleil.
7. Après la déshumidification, remontez le filtre d'assainissement de l'air sur le filtre plus grand, puis réinstallez-le sur l'unité intérieure.





ATTENTION

- Avant de changer le filtre ou de nettoyer, éteignez l'appareil et débranchez son alimentation électrique.
- Lors du retrait du filtre, ne pas toucher les parties métalliques de l'appareil. Les bords métalliques tranchants peuvent vous couper.
- Ne pas utiliser l'eau pour nettoyer l'intérieur de l'appareil intérieure. Cela peut détruire l'isolation et provoquer un choc électrique.
- Ne pas exposer le filtre à la lumière directe du soleil lors de la déshumidification d'air. Cela peut détruire le filtre.

Rappels de filtre à air (optionnel)

Rappel de nettoyage de filtre à air

Après 240 heures d'utilisation, la fenêtre d'affichage de l'unité intérieure clignote en indiquant « CL ». Ceci est un rappel pour vous rappeler de nettoyer votre filtre. Après 15 secondes, l'appareil reviendra à son affichage précédent.

Pour réinitialiser le rappel, appuyez 4 fois sur le bouton **LED** de votre télécommande ou appuyez 3 fois sur le bouton **MANUAL CONTROL**. Si vous ne réinitialisez pas le rappel, l'indicateur «CL» clignotera à nouveau lorsque vous redémarrez l'appareil.

Rappel sur le remplacement du filtre à air

Après 2 880 heures d'utilisation, la fenêtre d'affichage de l'unité intérieure clignote en indiquant « nF ». Ceci est un rappel pour vous rappeler de remplacer votre filtre. Après 15 secondes, l'appareil reviendra à son affichage précédent.

Pour réinitialiser le rappel, appuyez 4 fois sur le bouton **LED** de votre télécommande ou appuyez 3 fois sur le bouton **MANUAL CONTROL**. Si vous ne réinitialisez pas le rappel, l'indicateur «nF» clignotera à nouveau lorsque vous redémarrez l'appareil.

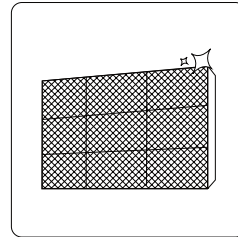


ATTENTION

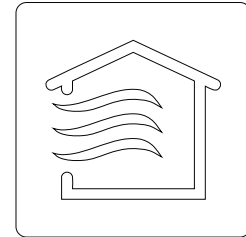
- Toute opération de maintenance et de nettoyage de l'unité extérieure doit être effectuée par un revendeur agréé ou un fournisseur de services agréé.
- Toute réparation de l'appareil doit être effectuée par un revendeur agréé ou un fournisseur de services agréé.

Maintenance - Longues périodes de non-utilisation

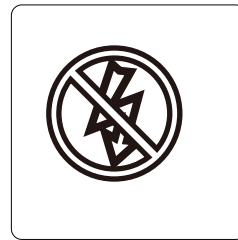
Si vous prévoyez de ne pas utiliser votre climatiseur pendant une période prolongée, procédez comme suit :



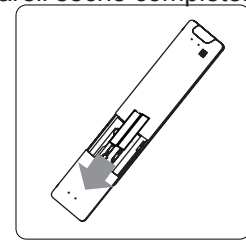
Nettoyez tous les filtres



Activez la fonction **VENTILATION** jusqu'à ce que l'appareil sèche complètement



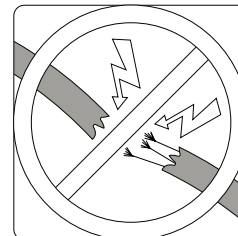
Éteignez l'appareil et débranchez l'alimentation



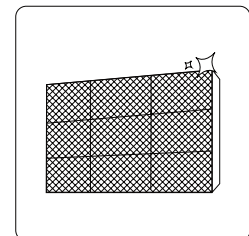
Enlevez les batteries de la télécommande

Maintenance – Inspection pré-saison

Après de longues périodes de non-utilisation, ou avant des périodes d'utilisation fréquente, veuillez faire ce qui suit :



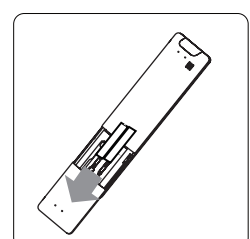
Vérifiez les fils endommagés



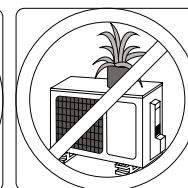
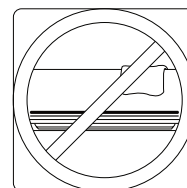
Nettoyez tous les filtres



Vérifiez les fuites



Remplacez les batteries



Assurez-vous que rien ne bloque toutes les entrées et sorties d'air

Dépannage



CONSIGNES DE SÉCURITÉ

Si vous rencontrez UNE des conditions suivantes, éteindre votre appareil immédiatement !

- Le câble d'alimentation est endommagé ou anormalement chaud
- Vous sentez une odeur de brûlé
- L'appareil émet de sons forts ou anormaux
- Un fusible d'alimentation se déclenche ou le disjoncteur se déclenche fréquemment
- De l'eau ou d'autres objets tombent dans ou hors de l'appareil

NE PAS ESSAYER DE LE RÉPARER PAR VOUS-MÊME ! CONTACTER UN FOURNISSEUR DE SERVICES AUTORISÉ IMMÉDIATEMENT !

Problèmes courants

Les problèmes suivants ne constituent pas un dysfonctionnement et, dans la plupart des cas, ne nécessitent aucune réparation.

Problème	Causes possibles
L'appareil ne s'allume pas lorsque vous appuyez sur le bouton MARCHÉ / ARRÊT	L'appareil a une fonction de protection de 3 minutes laquelle empêche l'appareil de surcharger. L'appareil ne peut pas être redémarré dans les trois minutes suivant la mise en arrêt.
L'appareil passe du mode FROID / CHAUD au mode VENTILATION	L'appareil peut changer son réglage pour empêcher la formation de gel sur l'appareil. Une fois la température est augmentée, l'appareil recommencera à fonctionner dans le mode précédemment sélectionné.
	La température réglée a été atteinte, à partir de laquelle l'appareil éteint le compresseur. L'appareil continuera à fonctionner lorsque la température fluctuera à nouveau.
L'unité intérieure émet une brume blanche	Dans les régions humides, une grande différence de température entre l'air dans la pièce et l'air condensé peut provoquer une brume blanche.
Les unités intérieures et extérieures émettent une brume blanche	Lorsque l'appareil redémarre en mode CHAUD après le dégivrage, une brume blanche peut être émise en raison de l'humidité générée par le processus de dégivrage.
L'unité intérieure fait du bruit	Un bruit d'air bruyant peut se produire lorsque le volet redéfinit sa position.
	Un bruit de grincement peut se produire après avoir fait fonctionner l'appareil en mode CHAUD en raison de l'expansion et de la contraction des pièces en plastique de l'appareil.
L'unité intérieure et l'unité extérieure font du bruit	Faible sifflement pendant le fonctionnement : Il est normal et est causé par le gaz réfrigérant circulant dans les unités intérieure et extérieure.
	Faible sifflement lorsque le système démarre, ou lors d'arrêter de fonctionner ou de dégivrer : Ce bruit est normal et provoqué par l'arrêt du gaz réfrigérant ou le changement de direction.
	Bruit de grincement : L'expansion et la contraction normales des pièces en plastique et en métal causées par des changements de température pendant le fonctionnement peuvent provoquer des grincements.

Problème	Causes possibles
L'unité extérieure fait du bruit	L'appareil fera des sons différents en fonction de son mode de fonctionnement actuel.
La poussière est émise par l'unité intérieure ou extérieure	L'appareil peut accumuler de la poussière pendant de longues périodes de non-utilisation, et celle-ci sera émise lorsque l'appareil est allumé. Cela peut être atténué en couvrant l'appareil pendant de longues périodes d'inactivité.
L'appareil émet une mauvaise odeur	L'appareil peut absorber les odeurs de l'environnement (les meubles, la cuisine, les cigarettes, etc.) lesquelles seront émises pendant le fonctionnement.
	Les filtres de l'appareil sont moisis et doivent être nettoyés.
Le ventilateur de l'unité extérieure ne fonctionne pas	Pendant le fonctionnement, la vitesse du ventilateur est contrôlée pour optimiser le fonctionnement du produit.
Le fonctionnement est erratique, imprévisible ou l'appareil ne répond pas	Les interférences provenant des tours de téléphone portable et des boosters à distance peuvent provoquer un dysfonctionnement de l'appareil. Dans ce cas, essayer ce qui suit : <ul style="list-style-type: none"> • Débrancher l'alimentation, puis reconnecter. • Appuyer sur le bouton MARCHÉ / ARRÊT de la télécommande pour redémarrer le fonctionnement.

NOTE : Si le problème persiste, contacter un revendeur local ou le centre de service clientèle le plus proche. Les rapporter avec une description détaillée du dysfonctionnement de l'appareil ainsi que votre numéro de modèle.

Dépannage

En cas de problème, veuillez vérifier les points suivants avant de contacter une entreprise de réparation.


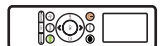

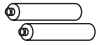


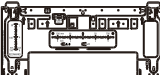




Problème	Causes possibles	Solution
Mauvaise performance de refroidissement	La configuration de la température peut être supérieure à la température ambiante	Abaisser le réglage de la température
	L'échangeur de chaleur de l'unité intérieure ou extérieure est sale	Nettoyer l'échangeur de chaleur concerné
	Le filtre à air est sale	Retirer le filtre et le nettoyer conformément aux instructions
	L'entrée ou la sortie d'air de l'un ou l'autre appareil est bloqué	Éteindre l'appareil, enlever l'obstruction et la rallumer
	Les portes et les fenêtres sont ouvertes	Assurer que toutes les portes et fenêtres soient fermées pendant le fonctionnement de l'appareil
	La chaleur excessive est générée par la lumière du soleil	Fermer les fenêtres et les rideaux pendant les périodes de forte chaleur ou de soleil
	Trop de sources de chaleur dans la pièce (les personnes, les ordinateurs, les appareils électroniques, etc.)	Réduire la quantité de sources de chaleur
	Faible réfrigérant dû à une fuite ou à une utilisation à long terme	Vérifier s'il y a des fuites, refermer si nécessaire et ajouter du réfrigérant
	La fonction SILENCE est activée (fonction optionnelle)	La fonction SILENCE peut réduire les performances du produit en réduisant la fréquence de fonctionnement. Désactiver la fonction SILENCE.

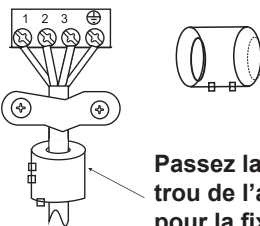
Problème	Causes possibles	Solution
L'appareil ne fonctionne pas	Panne de courant	Attendre que l'alimentation soit rétablie
	L'alimentation est coupée	Allumer l'appareil
	Le fusible est sauté	Remplacer le fusible
	Les batteries de la télécommande s'épuisent	Remplacer les batteries
	La protection de 3 minutes de l'appareil a été activée	Attendre trois minutes après le redémarrage de l'appareil
	La minuterie est activée	Désactiver la minuterie
L'appareil se démarre et s'arrête fréquemment	Il y a trop ou peu de réfrigérant dans le système	Vérifier les fuites et recharger le système avec du réfrigérant.
	Du gaz ou de l'humidité incompressible est entré dans le système.	Évacuer et recharger le système avec du réfrigérant.
	Le compresseur est cassé	Remplacer le compresseur
	La tension est trop élevée ou trop basse	Installer un manostat pour réguler la tension
Mauvaise performance de chauffage	La température extérieure est extrêmement basse	Utiliser un dispositif de chauffage auxiliaire
	L'air froid entre par les portes et les fenêtres	Assurer que toutes les portes et fenêtres soient fermées lors de l'utilisation
	Faible réfrigérant dû à une fuite ou à une utilisation à long terme	Vérifier s'il y a des fuites, refermer si nécessaire et ajouter du réfrigérant
Les voyants continuent à clignoter	L'appareil peut cesser de fonctionner ou continuer à fonctionner en toute sécurité. Si les voyants continuent à clignoter ou le code d'erreur apparaît, attendre d'environ 10 minutes. Le problème peut se résoudre lui-même.	
Le code d'erreur apparaît et commence par les lettres comme suit dans la fenêtre d'affichage de l'unité intérieure : <ul style="list-style-type: none"> • E (x), P (x), F (x) • EH (xx), EL (xx), EC (xx) • PH (xx), PL (xx), PC (xx) 	Sinon, débrancher le câble d'alimentation, puis le reconnecter. Allumer l'appareil. Si le problème persiste, débrancher l'alimentation et contacter le centre de service clientèle le plus proche.	

NOTE : Si votre problème persiste après avoir effectué les vérifications et les diagnostics ci-dessus, éteindre immédiatement votre appareil et contacter un centre de service agréé.

Accessoires

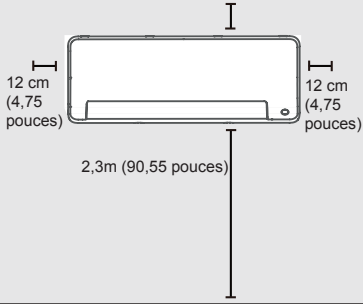
Le système de climatisation est livré avec les accessoires suivants. Utilisez toutes les pièces d'installation et tous les accessoires pour installer le climatiseur. Une mauvaise installation peut entraîner une fuite d'eau, un choc électrique et un incendie, ou provoquer une défaillance de l'équipement. Les articles qui ne sont pas inclus avec le climatiseur doivent être achetés séparément.

Désignation des accessoires	Qté (U)	Forme	Désignation des accessoires	Qté (pc)	Forme
Manuel	2-3		Télécommande	1	
Joint de drainage (pour les modèles de refroidissement et de chauffage)	1		Batterie	2	
Joint (pour le modèle de refroidissement & chauffage)	1		Support de télécommande (option)	1	
Plaque de montage	1		Vis de fixation pour support de la télécommande (option)	2	
Ancre	5 - 8 (selon les modèles)		Petit filtre (Doit être installé à l'arrière du filtre à air principal par le technicien autorisé lors de l'installation de la machine)	1~2 (selon les modèles)	
Vis de fixation de la plaque de montage	5~8 (selon les modèles)				

Désignation	Forme	Quantité (PC)	
Assemblage de tuyaux de raccordement	Côté liquide	ø6,35 (1/4 pouce)	Les pièces que vous devez acheter séparément. Consultez le revendeur pour connaître la taille de tuyau approprié de l'appareil que vous avez acheté.
		ø9,52 (3/8 pouce)	
	Côté gaz	ø9,52 (3/8 pouce)	
		ø12,7 (1/2 pouce)	
		ø16 (5/8 pouce)	
	ø19 (3/4 pouce)		
Anneau et ceinture magnétiques (s'il est fourni, veuillez vous référer au schéma de câblage pour l'installer sur le câble de connexion).	 <p>Passez la ceinture à travers le trou de l'anneau magnétique pour la fixer au câble</p>	Ils varient selon le modèle	

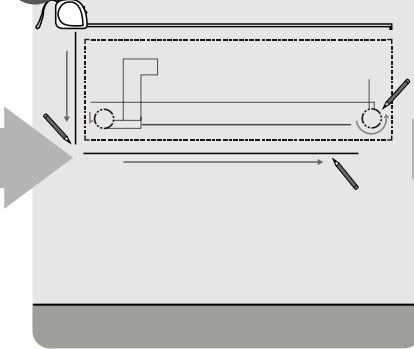
Résumé de l'installation - Unité Intérieure

1 La distance par rapport au plafond est déterminée par la méthode d'installation.



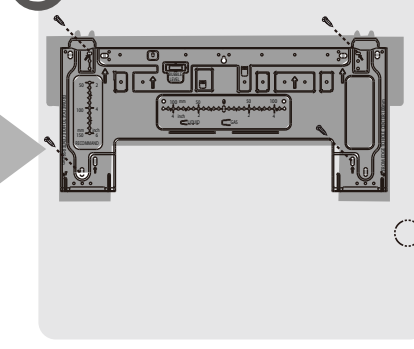
Sélectionnez l'emplacement d'installation

2



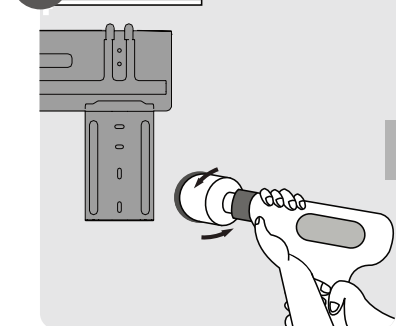
Déterminez la position du trou dans le mur

3



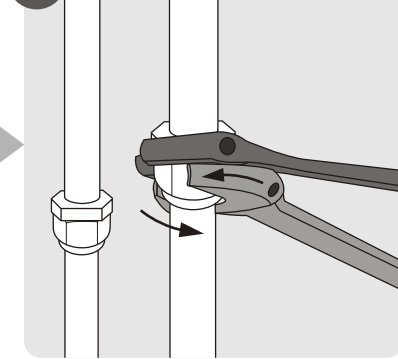
Fixez la plaque de montage

4



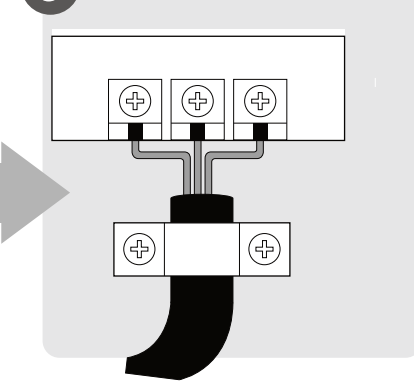
Percez un trou de mur

5



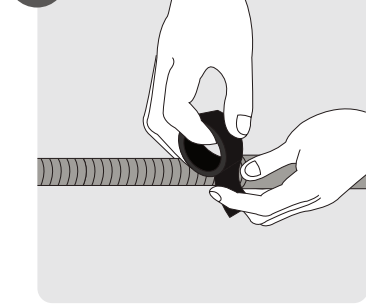
Connectez les tuyaux

6



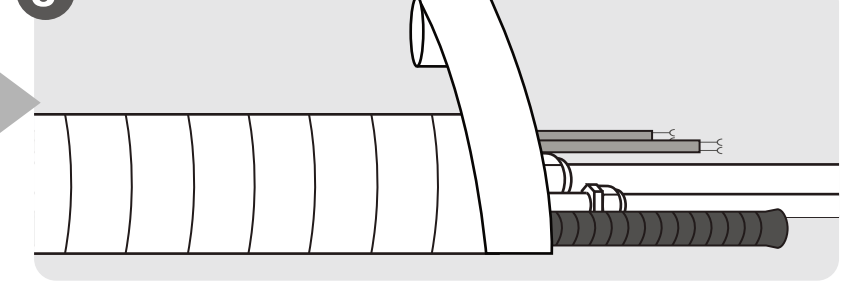
Connectez le câblage (non applicable pour certains endroits en Amérique du Nord)

7



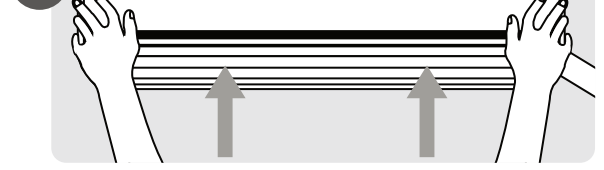
Préparez les tuyaux de drainage

8



Enroulez la tuyauterie et les câbles (non applicable pour certains endroits en Amérique du Nord)

9

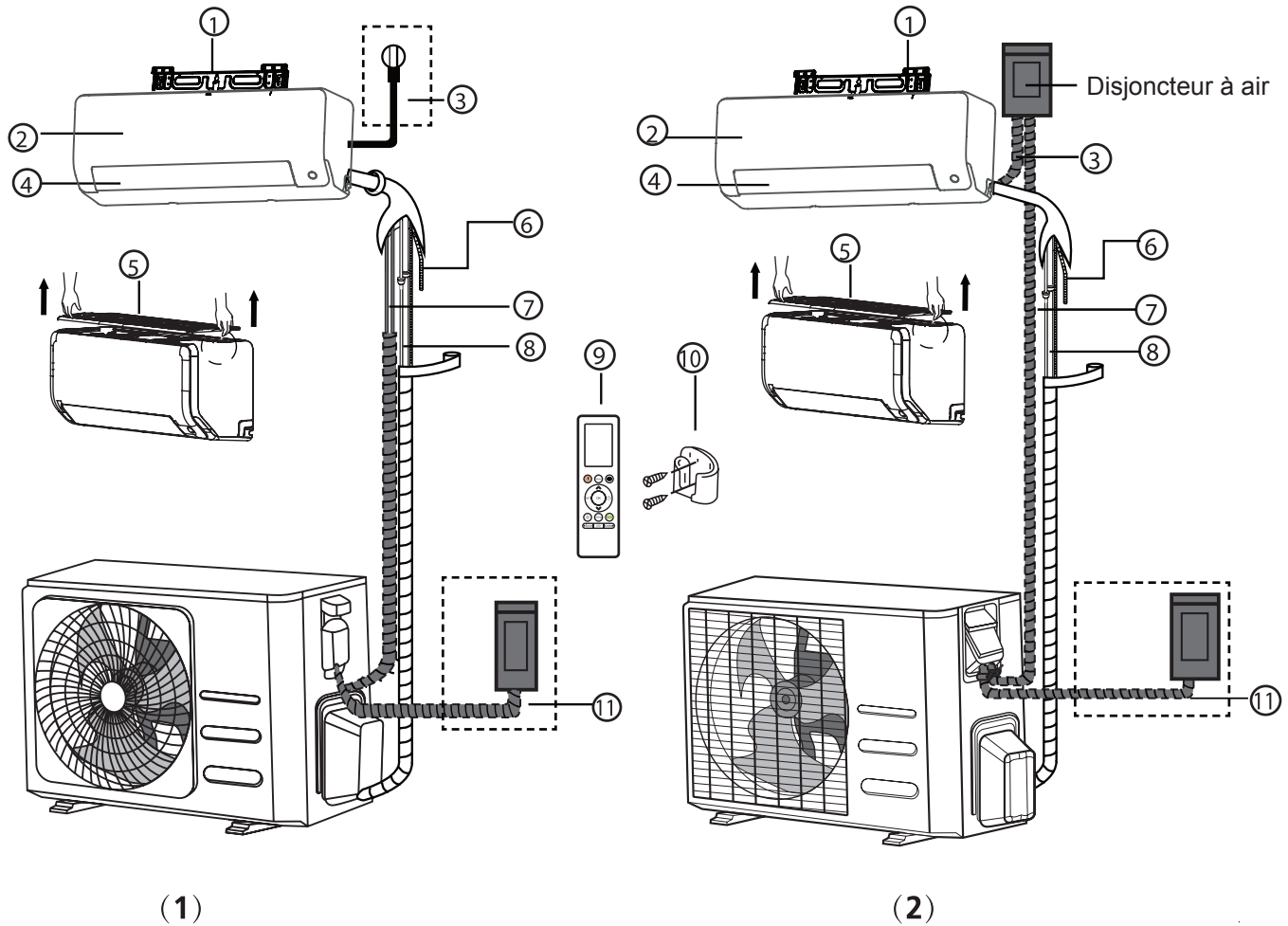


Installez l'unité intérieure

Aperçu de l'installation

Pièces de l'appareil

NOTE : L'installation doit être réalisée conformément aux exigences des normes locales et nationales. L'installation peut être légèrement différente selon les régions.



- ① Plaque de montage de mur
- ② Panneau avant
- ③ Câble d'alimentation (certaines unités)
- ④ Volet

- ⑤ Filtre à air (à retirer)
- ⑥ Tuyau de drainage
- ⑦ Câble de signal
- ⑧ Tuyauterie de réfrigérant

- ⑨ Télécommande
- ⑩ Support de télécommande (certaines unités)
- ⑪ Câble d'alimentation d'unité extérieure (certaines unités)

NOTE SUR LES ILLUSTRATIONS

Les illustrations de ce manuel sont à titre explicatif. La forme réelle de votre unité intérieure peut être légèrement différente. La forme réelle doit prévaloir.

Installation de l'unité intérieure

Instructions de l'installation - Unité intérieure

AVANT L'INSTALLATION

Avant d'installer l'unité intérieure, reportez-vous à l'étiquette figurant sur l'emballage du produit pour assurer que le numéro de modèle de l'unité intérieure correspond au numéro de modèle de l'unité extérieure.

Étape 1: Sélectionnez le lieu d'installation

Avant d'installer l'unité intérieure, vous devez choisir un emplacement approprié. Les normes suivantes vous aideront à sélectionner un emplacement approprié pour l'appareil.

Emplacement approprié d'installation doit répondre aux normes suivantes :

- Bonne circulation de l'air
- Drainage pratique
- Le bruit de l'appareil ne dérangera pas les autres
- Ferme et solide - l'emplacement ne vibre pas
- Suffisamment solide pour supporter le poids de l'appareil
- Un emplacement situé à au moins un mètre de tous les autres appareils électriques (par exemple, télévision, radio, ordinateur)

NE PAS installer l'appareil dans les endroits suivants :

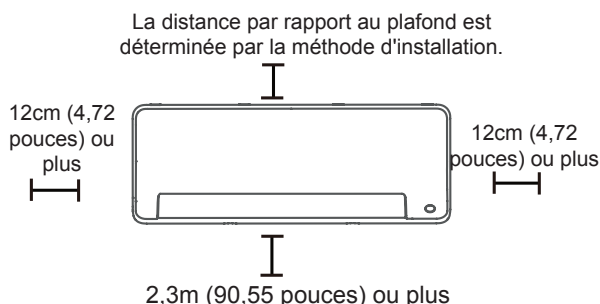
- À proximité de toute source de chaleur, de vapeur ou de gaz combustible
- À proximité d'articles inflammables tels que des rideaux ou des vêtements
- À proximité de tout obstacle susceptible de bloquer la circulation d'air
- Près de la porte
- Dans un endroit soumis à la lumière directe du soleil

NOTE SUR LE TROU DANS LE MUR :

S'il n'y a pas de tuyauterie frigorifique fixe :

Lorsque vous choisissez un emplacement, sachez que vous devez laisser suffisamment de place pour un trou dans le mur (voir l'étape **Percer un trou dans le mur pour la tuyauterie de connexion**) du câble de signal et de la tuyauterie de réfrigérant reliant les unités intérieures et extérieures. La position par défaut pour toute la tuyauterie est le côté droit de l'unité intérieure (en face de l'appareil). Cependant, l'appareil peut accueillir des tuyaux à gauche et à droite.

Consulter le diagramme suivant afin d'assurer la bonne distance avec les murs et le plafond :



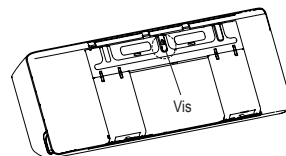
NOTE :

- **Si vous n'avez pas besoin du support arrière pour soutenir l'unité :**
Terminez les connexions des tuyaux et des câbles avant de monter l'unité intérieure sur le mur. Si la hauteur d'installation est limitée, une distance de 5 cm du plafond est autorisée, mais cela peut réduire les performances du produit. Pour garantir un espace suffisant pour installer et retirer le filtre à air supérieur, maintenez au moins 10 cm ou plus du plafond.
- **Si vous avez besoin du support arrière pour soutenir l'unité :**
Si le tuyau et le câble sont raccordés avec le panneau avant ouvert, la distance minimale du plafond est de 22 cm ou plus, si le tuyau et le câble sont raccordés sans le panneau avant (à enlever), la distance minimale du plafond est de 11 cm ou plus.

Étape 2 : Fixez la plaque de montage au mur

La plaque de montage est l'appareil sur lequel vous monterez l'unité intérieure.

- Retirez la vis qui fixe la plaque de montage à l'arrière de l'unité intérieure.



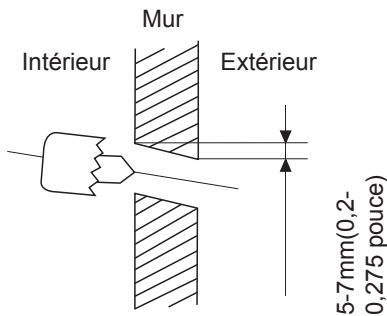
- Fixez la plaque de montage au mur avec les vis fournies. Assurez-vous que la plaque de montage est bien à plat contre le mur.

NOTE POUR LES MURS EN BÉTON OU EN BRIQUE :

Si le mur est en brique, béton, ou matériau similaire, percez des trous de diamètre de 5mm (diamètre 0,2 pouce) dans le mur et insérez les ancrages de manchon fournis. Puis fixez la plaque de montage au mur en serrant les vis directement dans les ancrages d'attache.

Étape 3 : Percez un trou dans le mur pour la tuyauterie de connexion

1. Déterminez l'emplacement du trou dans le mur en vous basant sur la position de la plaque de montage. Reportez aux **Dimensions de la plaque de montage**.
2. En utilisant un carottier de 65mm (2,5 pouces) ou 90mm (3,54 pouces) (selon les modèles), percez un trou dans le mur. Assurez-vous que le trou est percé à un angle légèrement descendant, de sorte que l'extrémité extérieure du trou soit plus basse que l'extrémité intérieure d'environ 5mm à 7mm (0,2 à 0,275 pouce). Cela assurera un bon drainage de l'eau.



NOTE : Lorsque le tuyau de raccordement à côté gaz est de $\Phi 16\text{mm}$ (5/8 pouce) ou plus, le trou dans le mur doit être de 90mm (3.54 pouces).

3. Placez le manchon de protection dans le trou. Cela protège les bords du trou et aidera à le sceller à la fin du processus d'installation.

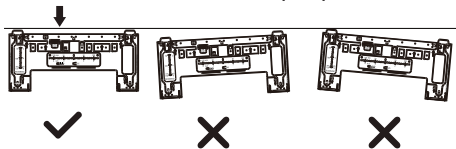
⚠ ATTENTION

Lors de percer le trou sur le mur, assurez-vous d'éviter les fils, la plomberie et les autres composants sensibles.

DIMENSIONS DE PLAQUE DE MONTAGE

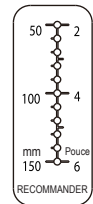
Différents modèles ont différentes plaques de montage. Pour faciliter l'installation, il y a un niveau à bulle, des dimensions gravées sur la plaque de montage. Veuillez installer la plaque et percer un trou dans le mur selon les indications de la plaque de montage. Voir les figures ci-dessous.

Orientation correcte de la plaque de montage

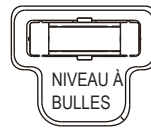


Unité : mm (pouce)

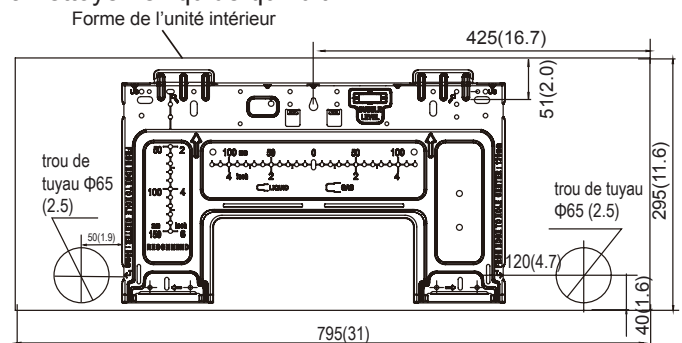
Règle de direction horizontale



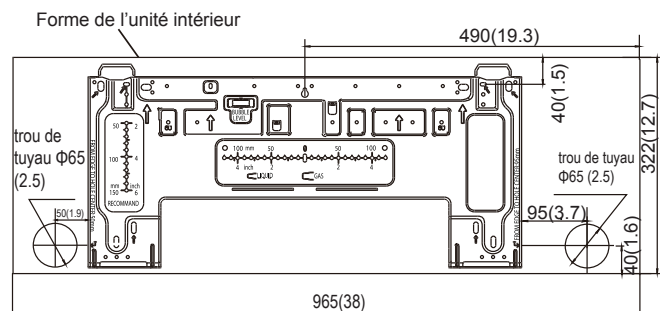
Règle de direction verticale



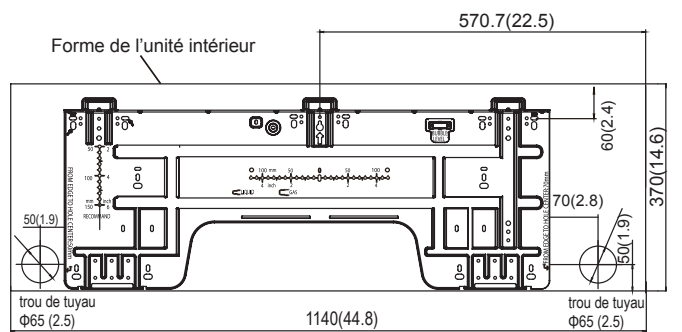
ATTENTION : Le niveau à bulle sur la plaque de montage ne peut pas être enlevé. S'il est cassé, veuillez à nettoyer le liquide qui fuit.



Modèle A



Modèle B



Modèle C

Installation de l'unité intérieure

Étape 4 : Préparez la tuyauterie de réfrigérant

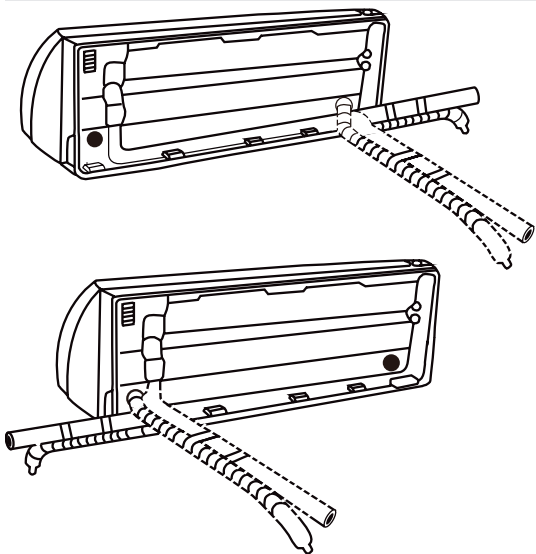
La tuyauterie de réfrigérant se trouve à l'intérieur d'un manchon isolant fixé à l'arrière de l'appareil. Vous devez préparer la tuyauterie avant de la faire passer par le trou dans le mur. Référez-vous à la section **Raccordement de la tuyauterie de réfrigérant** de ce manuel pour obtenir des instructions détaillées sur les conditions, les techniques, etc. de dérivation et de torque de tuyau.

NOTE SUR LES ANGLES DE TUYAUX

La tuyauterie de réfrigérant peut sortir de l'unité intérieure de quatre angles différents :

- Côté à gauche
- Arrière gauche
- Côté à droite
- Arrière droite

Voir les figures suivantes pour plus de détails.



NOTE SUR LE RACCORDEMENT DE LA TUYAUTERIE

- Dans certaines régions des États-Unis, un tube de conduite doit être utilisé pour connecter le câble. Pour garantir un espace suffisant pour le passage des tuyaux et pour que l'appareil soit contre le mur après l'installation, il est recommandé de fixer le tuyau de vidange sur le côté droit (lorsque vous êtes face à l'arrière de l'appareil).
- Lorsque vous choisissez une tuyauterie à gauche ou à droite, veuillez vous assurer que les tuyaux sortent horizontalement afin de ne pas affecter l'installation du panneau inférieur.

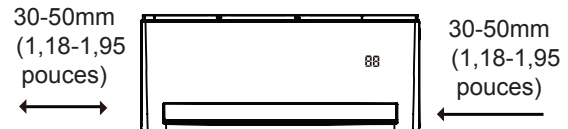
⚠ ATTENTION

Faites attention à ne pas déformer ou endommager la tuyauterie tout en les pliant loin de l'appareil. Toute fissure dans la tuyauterie affectera les performances de l'appareil.

Si aucune canalisation de réfrigérant n'est encastrée dans le mur, procédez comme suit :

Étape 1 : Accrochez l'unité intérieure sur la plaque de montage :

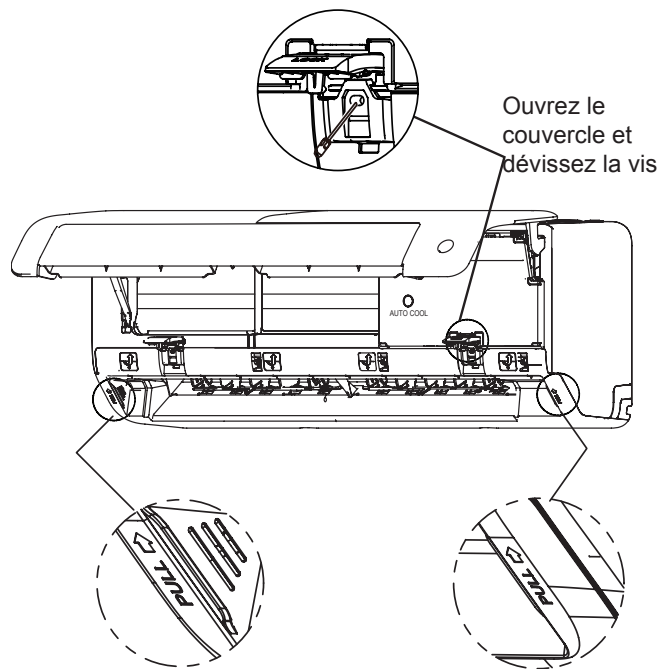
1. N'oubliez pas que les crochets de la plaque de montage sont plus petits que les trous à l'arrière de l'appareil. Si vous trouvez que vous n'avez pas assez de place pour raccorder des tuyaux encastrés à l'unité intérieure, l'unité peut être réglée à gauche ou à droite d'environ 30-50mm (1,18-1,95 pouces), selon le modèle.



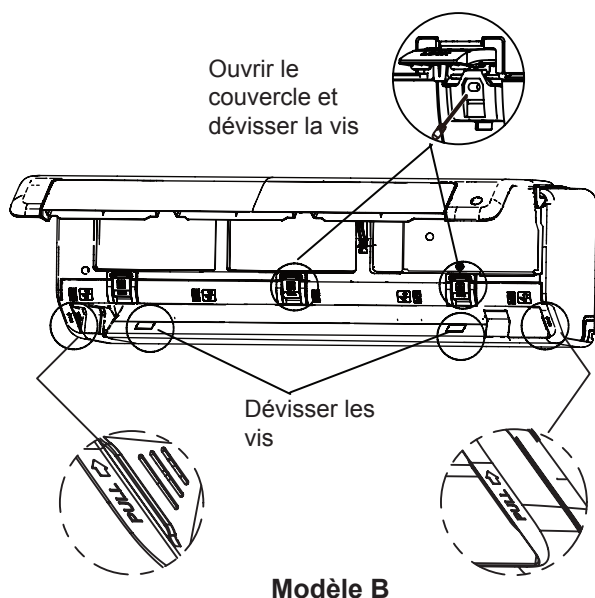
Déplacer à gauche ou à droite

Étape 2 : Préparez la tuyauterie de réfrigérant

1. Ouvrez et fixez la position du panneau, puis ouvrez les couvercles des deux blocs de verrouillage, dévissez la vis indiquée sur la photo ci-dessous, puis maintenez les deux côtés du panneau inférieur à l'endroit marqué « PULL », tirez vers le haut pour libérer les boucles, puis faites descendre le panneau inférieur.

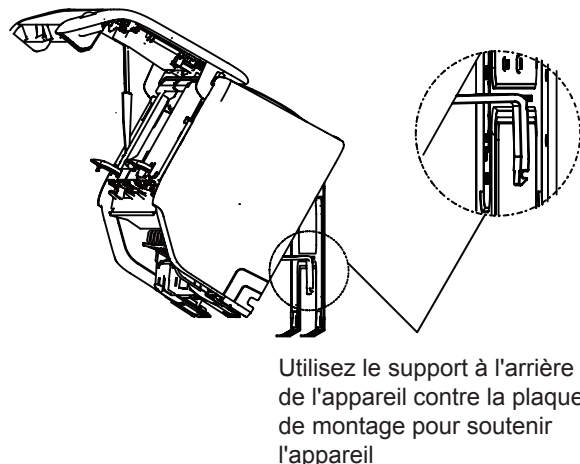


Modèle A



Modèle B

2. Utilisez le support à l'arrière de l'appareil pour soutenir l'appareil, ce qui vous donnera assez d'espace pour brancher la tuyauterie du réfrigérant, le câble de signalisation et le tuyau de vidange.



Utilisez le support à l'arrière de l'appareil contre la plaque de montage pour soutenir l'appareil

Étape 3. Connectez le tuyau de drainage et la tuyauterie de réfrigérant (référer à la section **Raccordement de la Tuyauterie de Réfrigérant** de ce manuel pour les instructions).

Étape 4. Maintenez le point de raccordement du tuyau exposé pour effectuer le test de fuite (voir la section **Vérifications électriques et vérifications de fuites** de ce manuel).

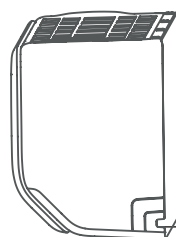
Étape 5. Après le test d'étanchéité, enveloppez le point de connexion avec du ruban isolant.

Étape 6. Retirez le support ou le coin qui supporte l'appareil.

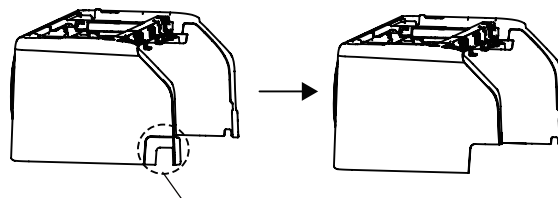
Étape 7. En exerçant une pression uniforme, appuyez sur la moitié inférieure de l'appareil. Continuez à pousser vers le bas jusqu'à ce que l'unité s'enclenche sur les crochets situés au bas de la plaque de montage.

Si aucune canalisation de réfrigérant n'est encastrée dans le mur, procédez comme suit :

1. En fonction de la position du trou mural par rapport à la plaque de montage, choisissez le côté par lequel la tuyauterie sortira de l'appareil.
2. Si le trou dans le mur se trouve derrière l'appareil, gardez le panneau knock-out en place. Si le trou dans le mur est situé sur le côté de l'unité intérieure, retirez le panneau knock-out en plastique de ce côté de l'appareil. (Voir la figure ci-dessous). Cela créera une fente à travers laquelle votre tuyau peut sortir de l'appareil. Utilisez une pince à bec effilé si le panneau en plastique est trop difficile à retirer à la main.



Panneau knock-out (découpé en fonction de la taille réelle nécessaire)



Si vous devez découper le panneau en plastique de grande taille, procédez comme indiqué ci-dessus.

3. Utilisez des ciseaux pour couper la longueur du manchon isolant afin de révéler environ 40mm (1,57 pouces) de tuyau de réfrigérant. Cela sert à deux fins:
 - Pour faciliter le processus de **Raccordement de la tuyauterie de réfrigérant**.
 - Pour faciliter les **Contrôles de fuites de gaz** et vous permettre de vérifier les bosses
4. Utilisez le support à l'arrière de l'appareil pour soutenir l'appareil, ce qui vous donnera assez d'espace pour brancher la tuyauterie du réfrigérant, le câble de signalisation et le tuyau de vidange.
5. Connectez la tuyauterie de réfrigérant de l'unité intérieure à la tuyauterie de raccordement qui permettra de relier les unités intérieures et extérieures. Veuillez référer à la section **Raccordement de la Tuyauterie de Réfrigérant** de ce manuel pour des instructions détaillées.
6. Basé sur la position du trou par rapport à la plaque de montage mural, déterminez l'angle nécessaire de votre tuyauterie.
7. Saisissez la tuyauterie de réfrigérant à la base du coude.
8. Lentement, avec une pression uniforme, pliez la tuyauterie vers le trou. **Ne pas** déformer ou endommager la tuyauterie au cours du processus.

Étape 5 : Connecter le tuyau de drainage

Par défaut, le tuyau de drainage est fixé à la gauche de l'appareil (lorsque vous êtes en face de l'appareil). Cependant, il peut également être fixé au côté droit. Pour assurer un bon drainage, fixez le tuyau de drainage du même côté que votre tuyauterie de réfrigérant quitte l'unité.

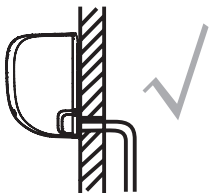
NOTE : Dans certaines régions des États-Unis, si le panneau de conduite est installé sur la machine, veuillez choisir le drainage au côté droit.

- Enveloppez fermement le point de connexion avec du ruban téflon pour assurer une bonne étanchéité et éviter les fuites.
- Enlevez le filtre à air et versez une petite quantité d'eau dans le bac de drainage pour vous assurer que l'eau s'écoule de l'appareil en douceur.

NOTE SUR LA POSITION DU TUYAU DE DRAINAGE

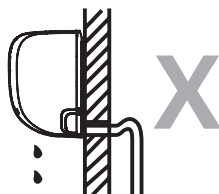
Veillez à disposer le tuyau de vidange selon les figures suivantes.

- ⊘ **Ne pas plier** le tuyau de vidange.
- ⊘ **Ne pas créer** provoquer de l'eau stagnante.
- ⊘ **Ne pas mettre** l'extrémité du tuyau de vidange dans de l'eau ou dans un récipient susceptible de recueillir l'eau.



CORRECT

Assurez-vous que le tuyau de drainage ne soit pas plié ou fissuré pour assurer un bon état.



INCORRECT

Un coude dans le tuyau de drainage peut provoquer de l'eau stagnante.



INCORRECT

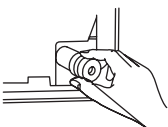
Des plis dans le tuyau de drainage créeront des pièges à eau.



INCORRECT

Ne pas mettre l'extrémité du tuyau de drainage dans de l'eau ou dans un récipient susceptible de recueillir l'eau. Cela empêchera un drainage adéquat.

BOUCHER LE TROU DE DRAINAGE INUTILISÉ



Pour éviter les fuites indésirables, vous devez boucher le trou de drainage non utilisé avec le bouchon en caoutchouc fourni.

AVANT D'EFFECTUER TOUTE OPÉRATION SOUS TENSION, LISEZ CES RÈGLEMENTS

1. Tout le câblage doit être conforme aux codes électriques locaux et nationaux et doit être installé par un électricien agréé.
2. Tous les raccordements électriques doivent être effectués conformément au schéma de raccordement électrique situé sur les panneaux des unités intérieure et extérieure.
3. En cas de problème de sécurité grave avec l'alimentation électrique, arrêtez immédiatement le travail. Expliquez votre raisonnement au client et refusez d'installer l'unité jusqu'à ce que le problème de sécurité soit correctement résolu.
4. La tension d'alimentation doit être comprise entre 90% et 110% de la tension nominale. Une alimentation insuffisante peut provoquer un dysfonctionnement, un choc électrique ou un incendie.
5. Si vous raccordez l'alimentation à un câblage fixe, il faut installer un parasurtenseur et un interrupteur principal.
6. Si vous raccordez l'alimentation à un câblage fixe, un interrupteur ou un disjoncteur qui déconnecte tous les pôles et présente une séparation de contact d'au moins 1/8 pouce (3mm) doit être intégré au câblage fixe. Le technicien qualifié doit utiliser un disjoncteur ou un interrupteur approuvé.
7. Ne branchez l'unité qu'à une prise de courant individuelle. Ne pas connecter une autre unité à cette prise.
8. Assurez-vous de bien mettre le climatiseur à la terre.
9. Chaque fil doit être fermement connecté. Un câblage desserré peut provoquer une surchauffe du terminal, entraînant un dysfonctionnement du produit et un risque d'incendie.
10. Ne pas laisser les câbles toucher ou reposer contre la tubulure de réfrigérant, le compresseur ou toute pièce mobile dans l'unité.
11. Si l'unité est équipée d'un réchauffeur électrique auxiliaire, elle doit être installée à au moins 1 mètre (40 pouces) de tout matériau combustible.
12. Pour éviter tout risque de choc électrique, ne jamais toucher les composants électriques immédiatement après la mise hors tension. Après la mise hors tension, attendez toujours 10 minutes ou plus avant de toucher les composants électriques.

AVERTISSEMENT

AVANT TOUTE OPÉRATION SOUS TENSION OU CÂBLAGE, COUPEZ L'ALIMENTATION PRINCIPALE DU SYSTÈME.

Étape 6 : Connecter les câbles de signal et d'alimentation

Le câble de signal permet la communication entre les unités intérieure et extérieure. Vous devez d'abord choisir la bonne taille de câble avant de le préparer pour la connexion.

Types de câbles

- Câble d'alimentation intérieur (le cas échéant) : H05VV-F ou H05V2V2-F
 - **Câble d'alimentation extérieur** : H07RN-F ou H05RN-F
 - **Câble de signal** : H07RN-F
- NOTE** : En Amérique du Nord, choisissez le type de câble en fonction des codes et réglementations électriques locaux.

Section minimale des câbles d'alimentation et de signaux (pour référence)

(Non applicable pour l'Amérique du Nord)

Courant nominal de l'unité (A)	Section transversale nominale (mm ²)
> 3 et ≤	0,75
> 6 et ≤ 1	1
> 10 et ≤ 1	1,5
> 16 et ≤ 2	2,5
> 25 et ≤ 3	4
> 32 et ≤ 4	6

CHOISIR LA BONNE TAILLE DU CÂBLE

La taille du câble d'alimentation, du câble de signal, du fusible et du commutateur nécessaires est déterminée par le courant maximal de l'unité. Le courant maximum est indiqué sur la plaque signalétique située sur le panneau latéral de l'unité. Veuillez référer à cette plaque signalétique pour choisir le bon câble, le bon fusible ou le bon commutateur.

NOTE: En Amérique du Nord, veuillez choisir la bonne taille de câble en fonction de l'intensité minimale du circuit indiquée sur la plaque signalétique de l'unité.

1. Ouvrez et fixez la position du panneau, puis ouvrez les couvercles des deux blocs de verrouillage, dévissez la vis, puis maintenez les deux côtés du panneau inférieur à l'endroit marqué « PULL », tirez vers le haut pour libérer les boucles, puis faites descendre le panneau inférieur (voir pages 22-23).
2. Ouvrez le couvercle de la boîte à fil pour connecter le câble.
3. Dévisser le serre-câble sous la boîte à borne et le placer sur le côté.
4. Face à l'arrière de l'unité, retirez le panneau en

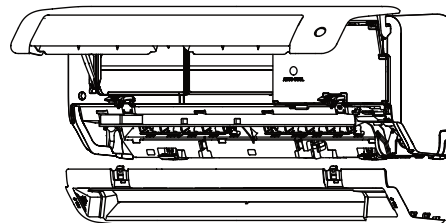
plastique situé en bas à gauche



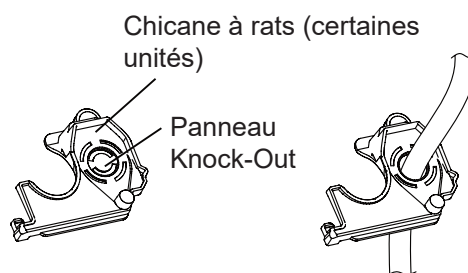
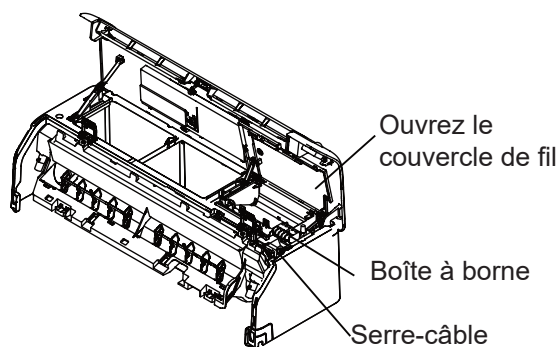
AVERTISSEMENT

TOUT LE CABLAGE DOIT ÊTRE RÉALISÉ STRICTEMENT CONFORMÉMENT AU DIAGRAMME DE CABLAGE SITUÉ À L'ARRIÈRE DU PANNEAU AVANT DE L'UNITÉ INTÉRIEURE.

5. Faites passer le fil de signal à travers cette fente, de l'arrière de l'unité vers l'avant.
6. Face à l'avant de l'appareil, reliez le fil selon le schéma de câblage de l'unité intérieure, connectez la patte en U et vissez fermement chaque fil à la borne correspondante.



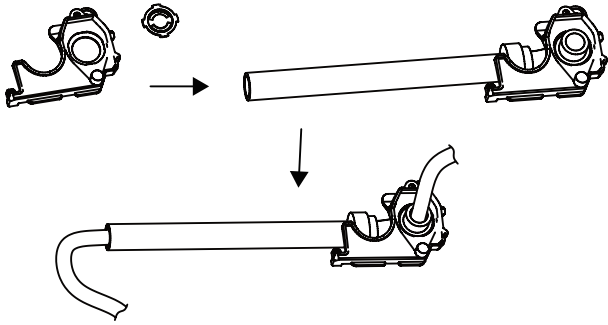
Ouvrez d'abord le panneau avant, puis retirez le panneau inférieur.



NOTE : Si la taille du câble est trop grande, retirez le petit panneau en plastique du milieu pour créer une fente par laquelle le câble peut sortir. Si vous souhaitez retirer le châssis ou le tuyau de vidange, veuillez d'abord retirer la chicane à rats.

En Amérique du Nord

Retirez d'abord le panneau d'ouverture pour créer une fente dans laquelle le tube de conduite peut s'installer. Ensuite, faites passer le câble par le tube de conduite et connectez-le à l'unité intérieure.



⚠ ATTENTION

NE PAS MÉLANGER LA LIGNE SOUS TENSION ET LA LIGNE NEUTRE

Ceci est dangereux et peut entraîner un dysfonctionnement du climatiseur.

- Après avoir vérifié que chaque connexion est sécurisée, utiliser le serre-câble pour attacher le câble de signal à l'appareil. Vissez fermement le serre-câble.
- Remettre en place le couvre-fil à l'avant de l'appareil et le panneau en plastique à l'arrière.

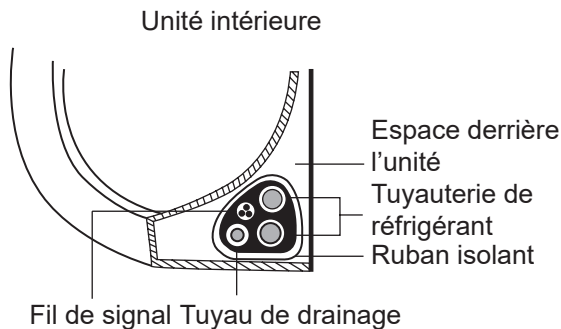
⚠ NOTE SUR LE CÂBLAGE

LE PROCESSUS DE CÂBLAGE PEUT DIFFÉRER LÉGÈREMENT ENTRE UNITÉS ET RÉGIONS

Étape 7 : Enveloppement et câblage

Avant de faire passer la tuyauterie, le tuyau de drainage et le câble de signal à travers le trou mural, vous devez les regrouper pour économiser de l'espace, les protéger et les isoler (Cela peut ne pas s'appliquer à certains emplacements aux États-Unis).

- Attacher le tuyau de drainage, les tuyaux de réfrigérant et le câble de signal comme indiqué ci-dessous :



LE TUYAU DE DRAINAGE DOIT ÊTRE EN BAS

Assurez-vous que le tuyau de drainage est au bas du paquet. Si vous placez le tuyau de vidange au sommet du faisceau, le bac de vidange risque de déborder, ce qui peut provoquer un incendie ou des dégâts d'eau.

NE PAS ENROULER LE CÂBLE DE SIGNAL AVEC D'AUTRES FILS

Lorsque vous réunissez ces éléments, n'entrelacez ni croisez le câble de signal avec aucun autre câblage.

- À l'aide de ruban adhésif en vinyle, fixez le tuyau de drainage au-dessous des tuyaux de réfrigérant.
- À l'aide de ruban isolant, enroulez le câble de signal, les tuyaux de réfrigérant et le tuyau de drainage ensemble. Double-vérifiez que tous les éléments sont regroupés.

NE PAS ENVELOPPER LES EXTRÉMITÉS DE TUYAUTERIE

Lorsque vous enveloppez le paquet, laissez les extrémités de la tuyauterie non enveloppées. **Vous devez y accéder pour rechercher des fuites à la fin du processus d'installation (voir la section Vérifications électriques et vérifications de fuites du présent manuel).**

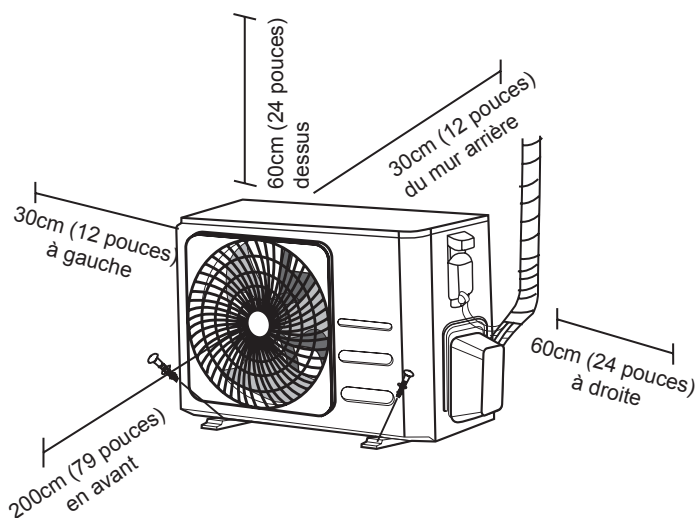
Étape 8 : Installation de l'unité intérieure

Si une nouvelle tuyauterie de connexion à l'unité extérieure, procéder aux étapes suivantes :

- Si vous avez déjà passé la tuyauterie de réfrigérant à travers le trou dans le mur, passez à l'étape 4.
- Sinon, vérifiez que les extrémités des tuyaux de réfrigérant sont scellées pour éviter que des saletés ou des matières étrangères ne pénètrent dans les tuyaux.
- Passez lentement le faisceau enveloppé de tuyaux de réfrigérant, le tuyau de drainage et le câble de signal à travers le trou dans le mur.
- Accrochez le haut de l'unité intérieure au crochet supérieur de la plaque de montage.
- Vérifiez que l'unité est bien accrochée lors du montage en appliquant une légère pression sur les côtés gauche et droit de l'unité. L'unité ne doit pas se trémousser ni se déplacer.
- En exerçant une pression uniforme, appuyez sur la moitié inférieure de l'unité. Continuez à pousser vers le bas jusqu'à ce que l'unité s'enclenche sur les crochets situés au bas de la plaque de montage.
- Là encore, vérifiez que l'unité est correctement montée en appliquant une légère pression sur les côtés gauche et droit de l'unité.

Installation de l'unité extérieure

Installez l'unité en suivant les codes et règlements locaux, il peut y avoir de légères différences entre les différentes régions.



Instructions d'installation - Unité extérieure

Étape 1 : Sélectionnez l'emplacement d'installation

Avant d'installer l'unité extérieure, vous devez choisir un emplacement approprié. Les normes suivantes vous aideront à sélectionner un emplacement approprié pour l'unité.

L'emplacement approprié d'installation doit répondre aux normes suivantes :

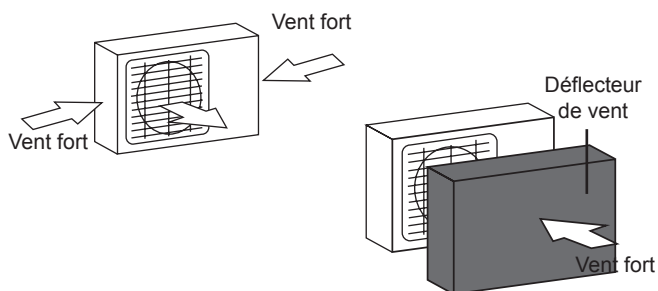
- Répondre à toutes les exigences spatiales indiquées dans la section Espace requis pour l'installation ci-dessus.
- Bonne circulation d'air et ventilation
- Ferme et solide — l'emplacement peut supporter l'unité et ne vibrera pas
- Le bruit de l'unité ne dérangera pas les autres
- Protégé contre les longues périodes de lumière directe du soleil ou de pluie
- Lorsque des chutes de neige sont prévues, prenez les mesures appropriées pour éviter l'accumulation de glace et les dommages aux serpents.

NE PAS installer l'unité dans les endroits suivants:

- ⊘ Près d'un obstacle qui bloquera les entrées et les sorties d'air
- ⊘ Près d'une rue publique, dans des endroits bondés ou lorsque le bruit de l'unité dérange les autres
- ⊘ Près d'animaux ou de plantes qui seront endommagés par la décharge d'air chaud
- ⊘ Près de toute source de gaz combustible
- ⊘ Dans un endroit exposé à de grandes quantités de poussière
- ⊘ Dans un endroit exposé à une quantité excessive d'air salé

CONSIDÉRATIONS SPÉCIALES POUR LE TEMPS EXTRÊME

Si l'unité est exposée à un vent fort :
Installez l'unité de sorte que l'extracteur d'air soit à un angle de 90° par rapport au vent. Si nécessaire, installez une barrière devant l'unité pour le protéger des vents extrêmement violents.
Voir les figures ci-dessous.



Si l'unité est fréquemment exposée à de fortes pluies ou à la neige :

Construisez un abri au-dessus de l'unité pour la protéger de la pluie ou de la neige. Veillez à ne pas obstruer le flux d'air autour de l'unité.

Si l'unité est fréquemment exposée à l'air salé (bord de la mer) :

Utilisez l'unité extérieure spécialement conçue pour résister à la corrosion.

Étape 2 : Installez le joint de drainage (appareil de pompe à chaleur uniquement)

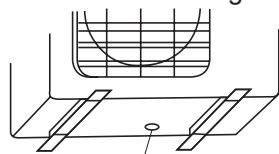
Avant de visser l'unité extérieure en place, vous devez installer le joint de drainage au bas de l'appareil. Il faut noter qu'il existe deux types différents de joints de drainage en fonction du type d'unité extérieure.

Si le joint de drainage est livré avec un joint en caoutchouc (figure A), procéder comme suit :

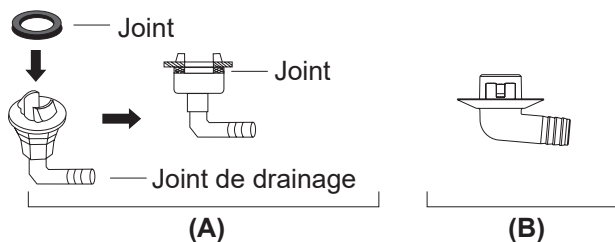
1. Installez le joint en caoutchouc à l'extrémité du joint de drainage qui se connectera à l'unité extérieure.
2. Insérez le joint de drainage dans le trou du plateau inférieur de l'appareil.
3. Faites pivoter le joint de vidange de 90° jusqu'à ce qu'il s'enclenche en place face à l'avant de l'appareil.
4. Connectez une rallonge de tuyau de drainage (non fournie) au joint de drainage pour rediriger l'eau de l'appareil en mode de chauffage.

Si le joint de drainage ne vient pas avec un joint en caoutchouc (Fig. B), procédez comme suit :

1. Insérez le joint de drainage dans le trou du plateau inférieur de l'appareil. Le joint de drainage est coincé en place.
2. Raccordez une rallonge de tuyau de vidange (non incluse) au raccord de vidange pour rediriger l'eau de l'appareil en mode chauffage.



Trou du plateau inférieur de l'unité extérieure

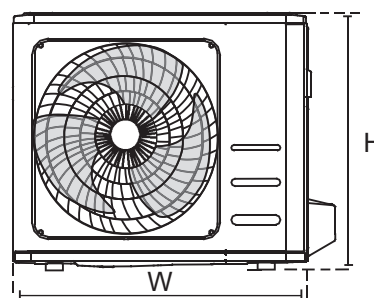
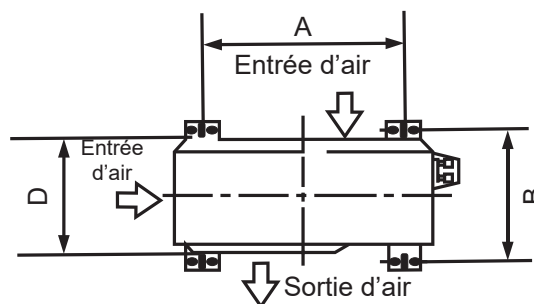


Étape 3 : Ancrage de l'unité intérieure

L'unité extérieure peut être ancrée au sol ou à un support mural avec boulon (M10). Préparez la base d'installation de l'appareil conformément aux dimensions ci-dessous.

DIMENSIONS DE MONTAGE DE L'APPAREIL

Vous trouverez ci-dessous une liste des différentes dimensions d'unités extérieures et de la distance entre leurs pieds de montage. Préparez la base d'installation de l'unité conformément aux dimensions ci-dessous



! SOUS CLIMAT FROID

Sous climat froid, assurez-vous que le tuyau de drainage est aussi vertical que possible pour assurer un drainage rapide de l'eau. Si l'eau s'écoule trop lentement, elle peut geler dans le tuyau et inonder l'appareil.

DIMENSIONS DE MONTAGE

Dimensions de l'unité extérieure (mm) W × H × D	Distance A (mm)	Distance B (mm)
681 × 434 × 285 (26.8" × 17.1" × 11.2")	460 (18.1")	292 (11.5")
700 × 550 × 270 (27.5" × 21.6" × 10.6")	450 (17,7")	260 (10,2")
700 × 550 × 275 (27,5" × 21,6" × 10,8")	450 (17,7")	260 (10,2")
720 × 495 × 270 (28,3" × 19,5" × 10,6")	452 (17,8")	255 (10,0")
728 × 555 × 300 (28,7" × 21,8" × 11,8")	452 (17,8")	302 (11,9")
765 × 555 × 303 (30,1" × 21,8" × 11,9")	452 (17,8")	286 (11,3")
770 × 555 × 300 (30,3" × 21,8" × 11,8")	487 (19,2")	298 (11,7")
805 × 554 × 330 (31,7" × 21,8" × 12,9")	511 (20,1")	317 (12,5")
800 × 554 × 333 (31,5" × 21,8" × 13,1")	514 (20,2")	340 (13,4")
845 × 702 × 363 (33,3" × 27,6" × 14,3")	540 (21,3")	350 (13,8")
890 × 673 × 342 (35,0" × 26,5" × 13,5")	663 (26,1")	354 (13,9")
946 × 810 × 420 (37,2" × 31,9" × 16,5")	673 (26,5")	403 (15,9")
946 × 810 × 410 (37,2" × 31,9" × 16,1")	673 (26,5")	403 (15,9")

Si vous souhaitez installer l'appareil sur le sol ou sur une plate-forme de montage en béton, procédez comme suit :

1. Marquez les positions pour quatre boulons d'expansion en fonction du plan des dimensions.
2. Pré-percez des trous pour les boulons d'expansion.
3. Placez un écrou à la fin de chaque boulon d'expansion.
4. Martelez les boulons d'expansion dans les trous pré-percés.
5. Retirez les écrous des boulons d'expansion et placez l'unité extérieure sur les boulons.
6. Mettez la rondelle sur chaque boulon d'expansion, puis remplacez les écrous.
7. À l'aide d'une clé, serrez chaque écrou jusqu'à ce qu'il soit bien ajusté.



AVERTISSEMENT

LA PROTECTION DES YEUX EST RECOMMANDÉE EN TOUT TEMPS LORS DU FORAGE DANS LE BÉTON.

Si vous souhaitez installer l'appareil sur un support mural, procédez comme suit :



ATTENTION

Assurez-vous que le mur est en brique solide, en béton ou en un matériau de résistance similaire. **Le mur doit pouvoir supporter au moins quatre fois le poids de l'appareil.**

1. Marquez la position des trous de fixation en vous basant sur le tableau des dimensions.
2. Pré-percez les trous pour les boulons d'expansion.
3. Placez une rondelle et un écrou à la fin de chaque boulon à expansion.
4. Vissez les boulons de dilatation à travers les trous des supports de fixation, mettez-les en place et enfoncez les boulons de dilatation dans le mur.
5. Vérifiez que les supports de montage sont plans.
6. Soulevez soigneusement l'appareil et placez ses pieds de montage sur des supports.
7. Boulonnez fermement l'appareil aux supports.
8. Si cela est autorisé, installez l'appareil avec des joints en caoutchouc pour réduire les vibrations et le bruit.

Étape 4 : Connectez les câbles de signal et d'alimentation.

Le bornier de l'unité extérieure est protégé par un couvercle de câblage électrique sur le côté de l'unité. Le schéma de câblage complet est imprimé à l'intérieur du couvercle de câblage.



AVERTISSEMENT

AVANT LA MISE EN OEUVRE DE TOUT TRAVAIL ÉLECTRIQUE OU DE CÂBLAGE, VEUILLEZ COUPER L'ALIMENTATION PRINCIPALE DU SYSTÈME.

1. Préparez le câble pour la connexion :

UTILISEZ LE CÂBLE CORRECT

Veillez choisir le bon câble, voir « Types de câbles » à la page 25.

CHOISIR LA BONNE TAILLE DU CÂBLE

La taille du câble d'alimentation, du câble de signal, du fusible et du commutateur nécessaires est déterminée par le courant maximal de l'unité. Le courant maximum est indiqué sur la plaque signalétique située sur le panneau latéral de l'unité.

NOTE : En Amérique du Nord, veuillez choisir la bonne taille de câble en fonction de l'intensité minimale du circuit indiquée sur la plaque signalétique de l'unité.

- a. À l'aide d'une pince à dénuder, dénudez la gaine en caoutchouc des deux extrémités du câble pour laisser apparaître environ 40 mm (1,57 po) de fils à l'intérieur.
- b. Dénudez l'isolation des extrémités des câbles.
- c. À l'aide d'une pince à sertir les fils, sertissez des pattes en U aux extrémités des câbles.

FAITES ATTENTION AUX CABLES SOUS TENSION

Lorsque vous sertissez des fils, veillez à distinguer clairement le fil sous tension (« L ») des autres fils.



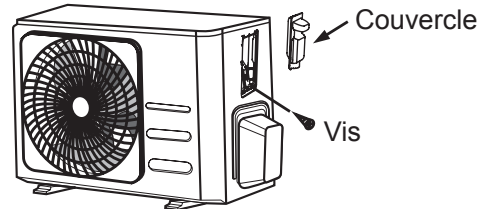
AVERTISSEMENT

TOUS LES TRAVAUX DE CÂBLAGE DOIVENT ÊTRE EFFECTUÉS EN RESPECTANT STRICTEMENT LE SCHÉMA DE CÂBLAGE SITUÉ À L'INTÉRIEUR DU COUVERCLE DES FILS DE L'UNITÉ EXTÉRIEURE.

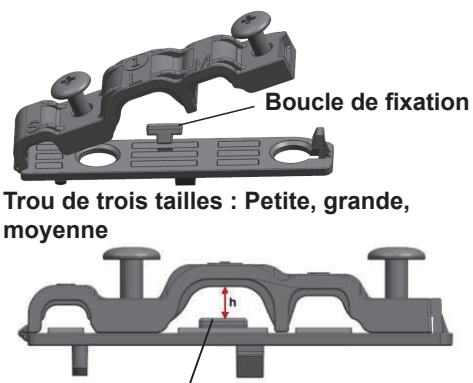
2. Dévissez le couvercle du câblage électrique et le retirez.
3. Dévissez le serre-câble sous la boîte à borne et le placez sur le côté.
4. Connectez le câble conformément au schéma de câblage et vissez fermement la patte en U de fixation de chaque câble au terminal correspondant.
5. Après avoir vérifié que chaque connexion est sécurisée, bouclez les câbles autour pour empêcher l'eau de pluie de s'écouler dans le

terminal.

6. À l'aide du serre-câble, fixez le câble à l'unité. Vissez fermement le serre-câble.
7. Isolez les câbles non utilisés avec du ruban électrique PVC. Disposez-les de manière à ce qu'elles ne touchent aucune pièce électrique ou métallique.
8. Remplacez le couvercle du câble sur le côté de l'unité et le vissez en place.



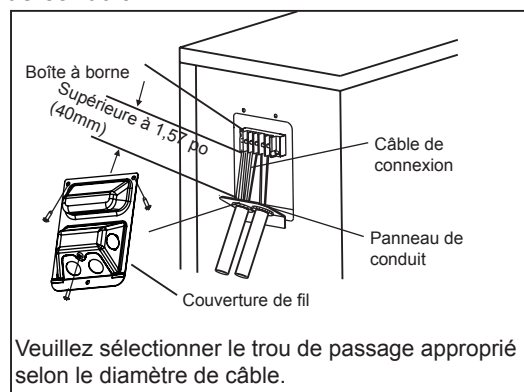
NOTE : Si le serre-câble ressemble à ce qui suit, veuillez sélectionner le trou de passage approprié en fonction du diamètre du fil.



Lorsque le câble n'est pas assez serré, utilisez la boucle de fixation pour le maintenir en place, afin qu'il puisse être bien serré.

En Amérique du Nord

1. Retirez le couvercle de câble de l'unité en desserrant les 3 vis.
2. Démontez les capuchons sur le panneau de conduit.
3. Montez provisoirement les tubes de conduit (non inclus) sur le panneau de conduit.
4. Connectez correctement l'alimentation électrique et les lignes basse tension aux bornes correspondantes du bornier.
5. Mettez l'unité à la terre conformément aux codes locaux.
6. Veillez à dimensionner chaque câble de manière à ce qu'il dépasse de plusieurs pouces la longueur requise pour le câblage.
7. Utilisez des écrous de blocage pour fixer les tubes de conduit.



Raccordement de la tuyauterie de réfrigérant

Lors du raccordement de la tuyauterie de réfrigérant, **ne pas** laisser aucune substance ni aucun gaz autre que le réfrigérant spécifié pénétrer dans l'appareil. La présence d'autres gaz ou substances réduira la capacité de l'appareil et peut entraîner une pression anormalement élevée dans le cycle de réfrigération. Cela peut provoquer l'explosion et la blessure.

Note sur la Longueur de Tuyau

La longueur de la tuyauterie de réfrigérant affectera les performances et l'efficacité énergétique de l'appareil. L'efficacité nominal est testé pour les appareils avec le tuyau d'une longueur de 5m (16,5 pieds) (en Amérique du Nord, la longueur du tuyau standard est de 7,5m (25')). Un tuyau minimum de 3m est requis pour minimiser les vibrations et le bruit excessif. En zone tropicale spéciale, pour les modèles de réfrigérant R290, aucun réfrigérant ne peut être ajouté et la longueur maximale du tuyau de réfrigérant ne doit pas dépasser 10m (32,8 pieds). Reporter au tableau ci-dessous pour connaître les spécifications relatives à la longueur maximale et à la hauteur de descente de la tuyauterie.

Longueur maximale et hauteur de descente de la tuyauterie de réfrigérant par modèle d'appareil.

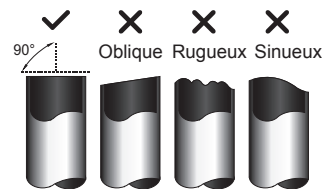
Modèle	Capacité (BTU/h)	Max. Longueur (m)	Max. Hauteur de descente (m)
Climatiseur split à FV R410A, R32	<15 000	25 (82 pieds)	10 (33 pieds)
	≥ 15 000 et < 24 000	30 (98,5 pieds)	20 (66 pieds)
	≥ 24 000 et < 36 000	50 (164 pieds)	25 (82 pieds)
Climatiseur split à vitesse fixe R22	<18 000	10 (33 pieds)	5 (16 pieds)
	≥ 18 000 et < 21 000	15 (49 pieds)	8 (26 pieds)
	≥ 21 000 et < 35 000	20 (66 pieds)	10 (33 pieds)
Climatiseur split à vitesse fixe R410A, R32	<18 000	20 (66 pieds)	8 (26 pieds)
	≥ 18 000 et < 36 000	25 (82 pieds)	10 (33 pieds)

Instructions de raccordement - Tuyauterie de réfrigérant

Étape 1 : Couper des tuyaux

Lors de la préparation des tuyaux de réfrigérant, prendre extra soin à les couper et les évaser correctement. Cela garantira un fonctionnement efficace et minimisera le besoin de maintenance future.

1. Mesurer la distance entre les unités intérieures et extérieures.
2. À l'aide d'un coupe-tube, couper le tuyau un peu plus long que la distance mesurée.
3. S'assurer que le tuyau est coupé à un angle parfait de 90°.



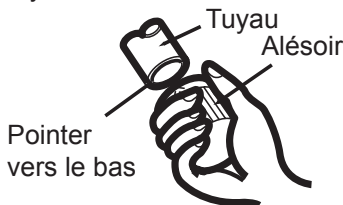
NE PAS DÉFORMER LE TUYAU LORS DU COUPAGE

Être vraiment prudent à ne pas endommager, bosseler ou déformer le tuyau lors du coupage. Cela réduira considérablement l'efficacité de chauffage de l'appareil.

Étape 2 : Enlever les bavures

Les bavures peuvent affecter le joint étanche à l'air de Raccordement de la Tuyauterie de Réfrigérant. Ils doivent être complètement enlevés.

1. Tenir le tuyau à un angle vers le bas pour éviter que des bavures ne tombent dans le tuyau.
2. À l'aide d'un alésoir ou d'un outil d'ébavurage, enlever toutes les bavures de la section coupée du tuyau.

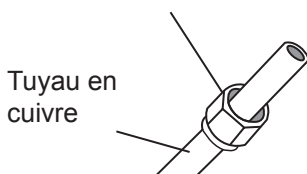


Étape 3 : Évaser les extrémités des tuyaux

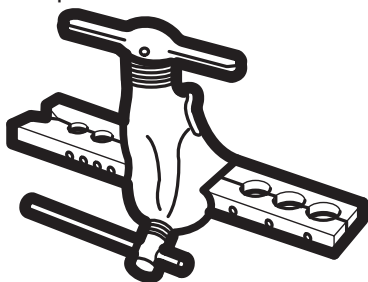
Un bon évasement est essentiel pour obtenir le joint étanche à l'air.

1. Après avoir enlevé les bavures du tuyau coupé, sceller les extrémités avec du ruban en PVC pour éviter l'entrée des corps étrangers dans le tuyau.
2. Gainer le tuyau avec un matériau isolant.
3. Placer les écrous à embase aux deux extrémités du tuyau. S'assurer qu'ils sont dans la bonne direction, car vous ne pouvez pas les mettre ou changer leur direction après les avoir évasés.

Écrou à embase



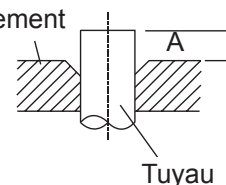
4. Enlever le ruban en PVC des extrémités du tuyau lorsque vous êtes prêt à effectuer le travail d'évasement.
5. Fixer la forme d'évasement au bout du tuyau. L'extrémité du tuyau doit dépasser du bord de la forme plate conformément aux dimensions indiquées dans le tableau ci-dessous.



EXTENSION DE TUYAUTERIE AU-DELA DU FORME D'ÉVASEMENT

Diamètre extérieur du tuyau (mm)	A (mm)	
	Min.	Max.
ø6,35 (ø0,25")	0,7 (0,0275")	1,3 (0,05")
ø9,52 (ø0,375")	1,0 (0,04")	1,6 (0,063")
ø12,7 (ø0,5")	1,0 (0,04")	1,8 (0,07")
ø16 (ø0,63")	2,0 (0,078")	2,2 (0,086")
ø19 (ø0,75")	2,0 (0,078")	2,4 (0,094")

Forme d'évasement



Tuyau

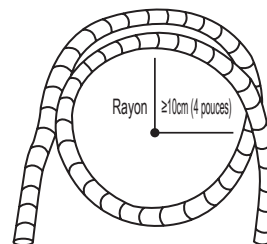
6. Placer l'outil d'évasement sur la forme.
7. Tourner la poignée de l'outil d'évasement dans le sens des aiguilles d'une montre jusqu'à ce que le tuyau soit complètement évasé.
8. Enlever l'outil d'évasement et la forme d'évasement, puis examiner l'extrémité du tuyau pour y déceler des fissures et même un évasement.

Étape 4 : Connecter des tuyaux

Lors du raccordement des tuyaux de réfrigérant, veiller à ne pas utiliser la torque excessive ni à déformer le tuyau de quelque manière que ce soit. Vous devez d'abord connecter le tuyau à basse pression, puis le tuyau à haute pression.

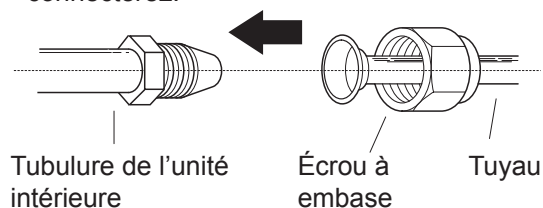
Rayon de courbure minimal

Lors du pliage d'une tuyauterie de réfrigérant connectif, le rayon de courbure minimal est de 10 cm.

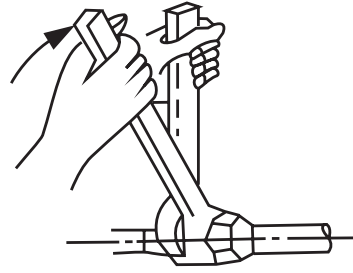


Instructions pour connecter la tuyauterie à l'unité intérieure

1. Aligner le centre des deux tuyaux que vous connecterez.



- Serrer à la main l'écrou à embase aussi fermement que possible.
- À l'aide d'une clé, pincer l'écrou sur la tubulure de l'appareil.
- Tout en serrant fermement l'écrou sur le tube de l'appareil, utiliser une clé dynamométrique pour serrer l'écrou à embase conformément aux valeurs de torque indiquées dans le tableau des **Exigences de torque** ci-dessous. Desserrer légèrement l'écrou évasé, puis resserrer à nouveau.



EXIGENCES DE TORQUE

Diamètre extérieur du tuyau (mm)	Couple de serrage (N.m)	Dimension d'évasement (B) (mm)	Forme d'évasement
ø6,35 (ø0,25")	18 - 20 (180 - 200kgf.cm)	8,4 - 8,7 (0,33 - 0,34")	
ø9,52 (ø0,375")	32 - 39 (320 - 390kgf.cm)	13,2 - 13,5 (0,52 - 0,53")	
ø12,7 (ø0,5")	49 - 59 (490 - 590kgf.cm)	16,2 - 16,5 (0,64 - 0,65")	
ø16 (ø0,63")	57 - 71 (570 - 710kgf.cm)	19,2 - 19,7 (0,76 - 0,78")	
ø19 (ø0,75")	67 - 101 (670 - 1010kgf.cm)	23,2 - 23,7 (0,91 - 0,93")	

NE PAS UTILISER LA TORQUE EXCESSIVE

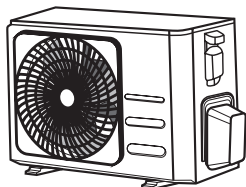
Une force excessive peut casser l'écrou ou endommager la tuyauterie de réfrigérant. Vous ne devez pas dépasser les exigences de torque indiquées dans le tableau ci-dessus.

Instructions pour connecter la tuyauterie à l'unité extérieure

- Dévisser le couvercle de la vanne à garniture sur le côté de l'unité extérieure.
- Enlever les capuchons de protection des extrémités des vannes.
- Aligner l'extrémité du tuyau d'évasement avec chaque vanne et serrer l'écrou à embase aussi fermement que possible à la main.
- À l'aide d'une clé, pincer le corps de la vanne. Ne pas pincer l'écrou qui ferme la vanne de service.
- Desserrer légèrement l'écrou évasé, puis resserrer à nouveau.
- Répéter les étapes 3 à 6 pour le tuyau restant.

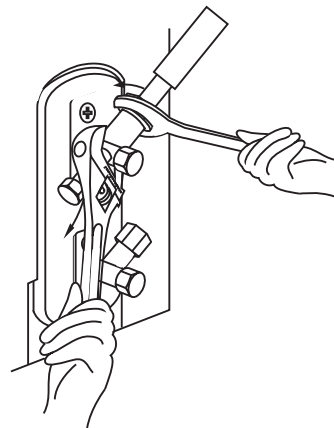
UTILISER LA CLÉ POUR PINCER LE CORPS PRINCIPAL DE LA VANNE

La torque pour le serrage de l'écrou à embase peut détacher d'autres parties de la vanne.



Couvercle de vanne

- Tout en tenant fermement le corps de la vanne, serrer l'écrou à embase à l'aide d'une clé de torque en fonction des valeurs de torque correctes.



Évacuation d'air

Préparation et précaution

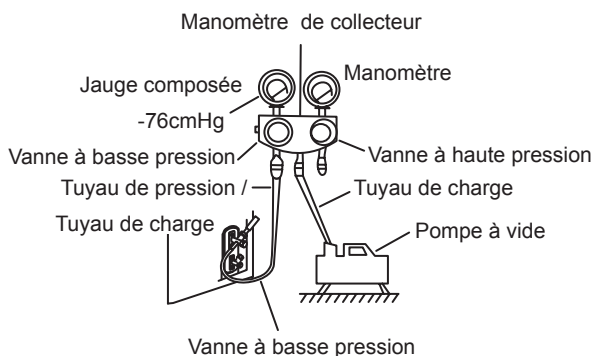
L'air et des corps étrangers dans le circuit de réfrigérant peuvent provoquer une augmentation anormale de la pression, ce qui peut endommager le climatiseur, réduire son efficacité et causer des blessures. Utilisez une pompe à vide et un manomètre de collecteur pour évacuer le circuit de réfrigérant, en éliminant tout gaz non condensable et toute humidité du système. L'évacuation doit être effectuée lors de l'installation initiale et lorsque l'appareil est déplacé.

AVANT D'EFFECTUER L'ÉVACUATION

- Vérifiez les tuyaux de connexion entre les unités intérieure et extérieure pour assurer qu'ils sont correctement connectés.
- Assurez-vous que tout le câblage est correctement connecté.

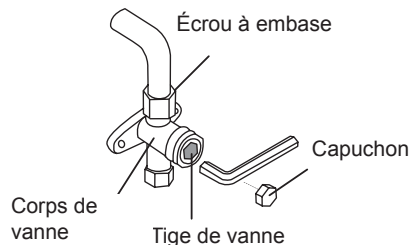
Instructions d'évacuation

1. Connectez le tuyau de charge du manomètre de collecteur au port d'entretien de la vanne de basse pression de l'unité extérieure.
2. Connectez un autre tuyau de charge du manomètre de collecteur à la pompe à vide.
3. Ouvrez le côté à Basse Pression du manomètre de collecteur. Gardez le côté à Haute Pression fermé.
4. Démarrez la pompe à vide pour évacuer le système.
5. Faites fonctionner à vide pendant au moins de 15 minutes ou jusqu'à ce que le débitmètre composé indique -76cmHG (-10^5Pa).



6. Fermez le côté à Basse pression du manomètre de collecteur et arrêtez la pompe à vide.
7. Attendez 5 minutes, puis vérifiez qu'il n'y a pas eu de changement dans la pression du système.

8. Si la pression du système change, consultez la section Vérification des fuites de gaz pour savoir comment vérifier les fuites. S'il n'y a pas de changement de pression dans le système, dévisser le capuchon de la vanne à garniture (vanne à haute pression).
9. Insérez une clé hexagonale dans la vanne à garniture (vanne haute pression) et ouvrez la vanne en tournant la clé d'un quart de tour dans le sens inverse des aiguilles d'une montre. Écoutez si du gaz sort du système, puis fermez la vanne au bout de 5 secondes.
10. Observez le Manomètre pendant une minute pour assurer qu'il n'y a pas de changement de pression. Le manomètre doit indiquer une pression légèrement supérieure à la pression atmosphérique.
11. Enlevez le tuyau de charge du port d'entretien.



12. À l'aide d'une clé hexagonale, ouvrez complètement les vannes à haute pression et à basse pression.
13. Serrez à la main les bouchons des trois soupapes (orifice de service, haute pression, basse pression). Vous pouvez le serrer davantage à l'aide d'une clé dynamométrique si nécessaire.

! OUVRIR DÉLICATEMENT DE TIGE DE VANNE

Lorsque vous ouvrez les tiges de vanne, tournez la clé hexagonale jusqu'à ce qu'elle frappe le bouchon. Ne pas essayer de forcer la vanne à l'ouvrir davantage.

Note relative à l'ajout de réfrigérant

Certains systèmes nécessitent une charge supplémentaire en fonction de la longueur du tuyau. La longueur standard du tuyau varie en fonction de la réglementation locale. Par exemple, en Amérique du Nord, la longueur standard des tuyaux est de 7,5 m (25').

Dans les autres zones, la longueur standard du tuyau est de 5 m (16'). Le réfrigérant doit être chargé à partir du port d'entretien situé sur la vanne à basse pression de l'unité extérieure. Le réfrigérant supplémentaire à charger peut être calculé à l'aide de la formule suivante :

RÉFRIGÉRANT SUPPLÉMENTAIRE PAR LONGUEUR DE TUYAU

Longueur du tuyau de raccordement (m)	Méthode de purge d'air	Réfrigérant supplémentaire	
≤ longueur standard du tuyau	Pompe à vide	N/A	
> longueur standard du tuyau	Pompe à vide	Côté liquide : ø6,35 (ø 0,25") R32 : (Longueur du tuyau - longueur standard) × 12g/m (Longueur du tuyau - longueur standard) × 0,13oz/pied R290 : (Longueur du tuyau - longueur standard) × 10g/m (Longueur de tuyau - longueur standard) × 0,10oz/pied R410A : (Longueur du tuyau - longueur standard) × 15g/m (Longueur du tuyau - longueur standard) × 0,16oz/pied R22 : (Longueur du tuyau - longueur standard) × 20g/m (Longueur de tuyau - longueur standard) × 0,21oz/pied	Côté liquide : ø 9,52 (ø 0,375") R32 : (Longueur du tuyau - longueur standard) × 24g/m (Longueur de tuyau - longueur standard) × 0,26oz/pied R290 : (Longueur du tuyau - longueur standard) × 18g/m (Longueur du tuyau - longueur standard) × 0,19oz/pied R410A : (Longueur du tuyau - longueur standard) × 30g/m (Longueur de tuyau - longueur standard) × 0,32oz/pied R22 : (Longueur du tuyau - longueur standard) × 40g/m (Longueur de tuyau - longueur standard) × 0,42oz/pied

Pour l'appareil de réfrigérant R290, la quantité totale de réfrigérant à charger ne dépasse pas :

387g(≤9000Btu/h), 447g(>9000Btu/h et ≤12000Btu/h), 547g(>12000Btu/h et ≤18000Btu/h), 632g(>18000Btu/h et ≤24000Btu/h).



ATTENTION NE PAS mélanger les types de réfrigérants.

Vérification des fuites de gaz et d'électricité

Avant la mise en service

N'effectuez la mise en service qu'après avoir suivi les étapes suivantes :

- **Contrôles de sécurité électrique** - Confirmez que le système électrique de l'appareil est sûr et fonctionne correctement
- **Vérification des fuites de gaz** - Vérifiez toutes les connexions d'écrous à embase et confirmez que le système n'a pas de fuite
- Confirmez que les vannes à gaz et à liquide (haute et basse pression) sont complètement ouvertes

Contrôles de sécurité électrique

Après l'installation, confirmez que tout le câblage électrique est installé conformément aux réglementations locales et nationales, et selon le manuel d'installation.

AVANT LA MISE EN SERVICE

Vérifiez le travail de mise à la terre

Mesurez la résistance de mise à la terre par détection visuelle et avec un testeur de résistance de terre. La résistance de mise à la terre doit être inférieure à $0,1\Omega$.

Note : Cela peut ne pas être nécessaire pour certains endroits en Amérique du Nord.

PENDANT LA MISE EN SERVICE

Vérifiez les fuites électriques

Pendant la mise en service, utilisez un probe électrique et un multimètre pour effectuer un test de fuite électrique complet.

Si une fuite d'électricité est détectée, éteignez immédiatement l'appareil et appeler un électricien agréé pour rechercher et résoudre le problème.

Note : Cela peut ne pas être nécessaire pour certains endroits en Amérique du Nord.

AVERTISSEMENT - RISQUE DE CHOC ÉLECTRIQUE

TOUT LE CÂBLAGE DOIT ÊTRE CONFORME AUX CODES ÉLECTRIQUES LOCAUX ET NATIONAUX ET DOIT ÊTRE INSTALLÉ PAR UN ÉLECTRICIEN AGRÉÉ.

Vérification des fuites de gaz

Il existe deux méthodes différentes pour vérifier les fuites de gaz.

Méthode de savon et d'eau

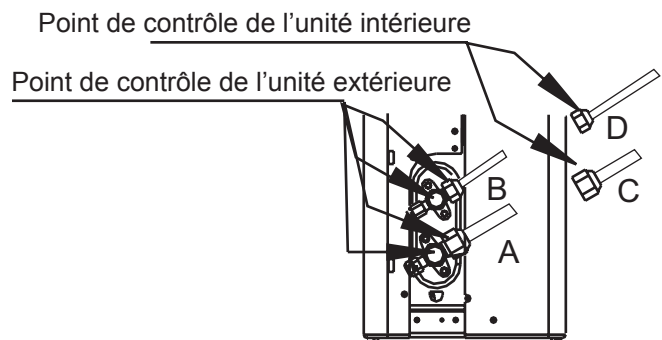
À l'aide d'une brosse douce, appliquer de l'eau savonneuse ou un détergent liquide sur tous les points de raccordement des tuyaux des unités intérieure et extérieure. La présence de bulles indique une fuite.

Méthode du détecteur de fuite

Si vous utilisez un détecteur de fuite, consultez le manuel d'utilisation du dispositif pour connaître les instructions d'utilisation appropriées.

APRÈS AVOIR RÉALISÉ DE VÉRIFICATION DES FUITE DE GAZ

Après avoir vérifié que tous les points de raccordement des tuyaux NE FUIENT PAS, remplacez le couvercle de la vanne sur l'unité extérieure.



A : Vanne d'arrêt basse pression

B : Vanne d'arrêt haute pression

C&D : Ecrus de fusée pour unité intérieure

Mise en service

Instructions de Mise en Service

Vous devez effectuer la **mise en service** pendant au moins 30 minutes.

1. Branchez l'alimentation à l'unité.
2. Appuyez sur le bouton **ON/OFF** de la télécommande pour l'allumer.
3. Appuyez sur le bouton **MODE** pour faire la tour des fonctions suivantes, une à la fois:
 - COOL- Sélectionnez la température la plus basse possible
 - HEAT - Sélectionnez la température la plus élevée possible
4. Laissez chaque fonction fonctionner pendant 5 minutes, et effectuez les vérifications suivantes :

Liste des contrôles à effectuer	RÉUSSITE/ÉCHEC	
Pas de fuite électrique		
L'unité est correctement mis à la terre		
Tous les terminaux électriques sont correctement couverts		
Les unités intérieures et extérieures sont solidement installées		
Tous les points de raccordement des tuyaux ne fuient pas	Extérieur (2) :	Intérieur (2) :
L'eau s'écoule correctement du tuyau de vidange		
Toute la tuyauterie est correctement isolée		
L'unité assure correctement la fonction COOL		
L'unité assure correctement la fonction HEAT		
Les volets de l'unité intérieure tournent correctement		
L'unité intérieure répond à la télécommande		

DOUBLE CONTRÔLE AUX RACCORDEMENTS DE TUYAUX

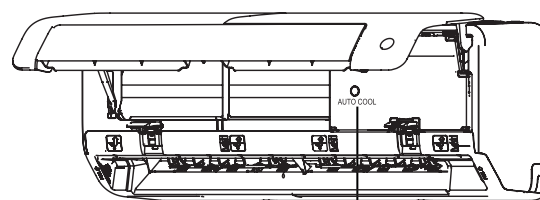
Pendant le fonctionnement, la pression du circuit réfrigérant augmente. **Cela peut révéler des fuites qui n'étaient pas présentes lors de votre contrôle initiale.** Prenez le temps, pendant la mise en service, de vérifier que tous les points de raccordement des conduites de réfrigérant ne présentent pas de fuites. Veuillez reporter à la section **Vérification des fuites de gaz** pour les instructions.

5. Une fois que la mise en service est terminée avec succès et que vous avez confirmé que tous les points de contrôle de la liste des contrôles à effectuer sont passés, procédez comme suit :
 - a. **À l'aide de la télécommande, ramenez l'unité à sa température normale de fonctionnement.**
 - b. **À l'aide de ruban isolant, enveloppez les raccords des tuyaux de réfrigérant intérieur que vous avez laissés découverts lors de l'installation de l'unité intérieure.**

SI LA TEMPÉRATURE AMBIANTE EST INFÉRIEURE À 17°C (62°F)

Vous ne pouvez pas utiliser la télécommande pour activer la fonction COOL lorsque la température ambiante est inférieure à 17°C. Dans ce cas, vous pouvez utiliser le bouton **MANUAL CONTROL** pour tester la fonction COOL.

1. Le bouton MANUAL CONTROL est situé sur le panneau latéral droit de l'appareil.
2. Appuyez deux fois sur le bouton pour sélectionner la fonction COOL.
3. Effectuez une la mise en service normalement.



Bouton de commande manuelle

Emballage et déballage de l'unité

Instructions pour l'emballage et le déballage de l'appareil :

Déballage :

Unité intérieure :

1. Coupez le ruban d'étanchéité sur le carton avec un couteau, une coupe à gauche, une coupe au milieu et une coupe à droite.
2. Utilisez l'étau pour retirer les clous de fermeture sur le dessus du carton.
3. Ouvrez le carton.
4. Retirez la plaque de support centrale si elle est incluse.
5. Sortez l'emballage des accessoires et le fil de connexion s'il est inclus.
6. Sortez la machine du carton et posez-la à plat.
7. Retirez la mousse d'emballage gauche et droite ou la mousse d'emballage supérieure et inférieure, détachez le sac d'emballage.

Unité extérieure :

1. Coupez la ceinture d'emballage.
2. Sortez l'appareil du carton.
3. Retirez la mousse de l'unité.
4. Retirez le sac d'emballage de l'appareil.

Emballage :

Unité intérieure :

1. Mettez l'unité intérieure dans le sac d'emballage.
2. Fixez les mousses d'emballage gauche et droite ou les mousses d'emballage supérieure et inférieure à l'unité.
3. Placez l'appareil dans le carton, puis placez l'emballage des accessoires.
4. Fermez le carton et scellez-le avec le ruban adhésif.
5. Utilisez la ceinture d'emballage si nécessaire.

Unité extérieure :

1. Mettez l'unité extérieure dans le sac d'emballage.
2. Mettez la mousse du fond dans la boîte.
3. Placez l'appareil dans le carton, puis mettez la mousse d'emballage supérieure sur l'appareil.
4. Fermez le carton et scellez-le avec le ruban adhésif.
5. Utilisez la ceinture d'emballage si nécessaire.

NOTE : Veuillez conserver tous les éléments d'emballage si vous en avez besoin à l'avenir.

La conception et les spécifications sont sujettes à changement sans préavis pour l'amélioration du produit. Veuillez consulter l'agence de vente ou le fabricant pour plus de détails. Toute mise à jour du manuel sera téléchargée sur le site web du service, veuillez vérifier la dernière version.

CS014UI-EP(B)
