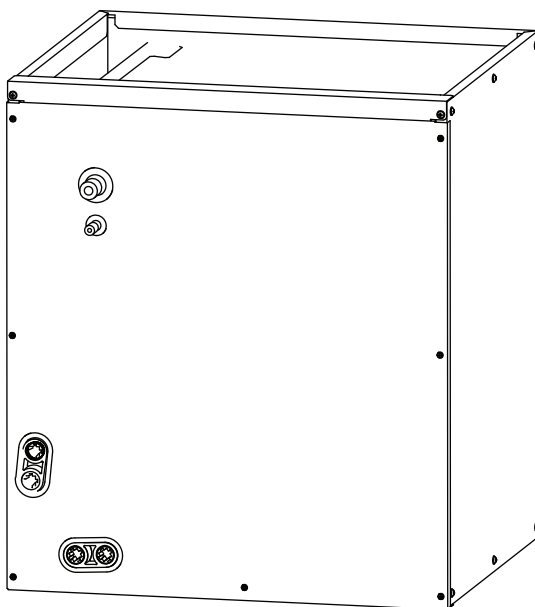


Multi position Heat Pump Evaporator with TXV - R410A

---

# Owner's Manual & Installation Manual



MODEL: AZPN/B24WAC  
AZPN/C36WAC



**IMPORTANT NOTE:**

Read this manual carefully before installing or operating your new air conditioning unit. Make sure to save this manual for future reference.



# Table of Contents

<b>SAFETY PRECAUTIONS .....</b>	<b>04</b>
<b>INTRODUCTION .....</b>	<b>07</b>
<b>INSTALLATION .....</b>	<b>08</b>
1. INSPECT EQUIPMENT .....	08
2. INSTALLATION OF EVAPORATOR COILS .....	08
3. REFRIGERANT LINE CONNE .....	10
4. CONNECT REFRIGERA .....	10
5. REFRIGERANT METERING DEVICE .....	11
6. CONDENSATE DRAIN LINE CONNECTION .....	11
7. WASTE LINE CONNECTION .....	12
<b>CARE AND MAINTENANCE .....</b>	<b>13</b>

# SAFETY PRECAUTIONS

## Read Safety Precautions Before Operation and Installation

**Incorrect installation due to ignoring instructions can cause serious damage or injury.** The seriousness of potential damage or injuries is classified as either a **WARNING** or **CAUTION**.



### WARNING

This symbol indicates the possibility of personnel injury or loss of life.



### CAUTION

This symbol indicates the possibility of property damage or serious consequences.



## WARNING

This appliance can be used by children aged from 8 years and above and persons with reduced physical, sensory or mental capabilities or lack of experience and knowledge if they have been given supervision or instruction concerning use of the appliance in a safe way and understand the hazards involved. Children shall not play with the appliance. Cleaning and user maintenance shall not be made by children without supervision.

This appliance is not intended for use by persons (including children) with reduced physical, sensory or mental capabilities, or lack of experience and knowledge, unless they have been given supervision or instruction concerning use of the appliance by a person responsible for their safety. Children should be supervised to ensure that they do not play with the appliance.



## WARNINGS FOR PRODUCT USE

- If an abnormal situation arises (like a burning smell), immediately turn off the unit and disconnect the power. Call your dealer for instructions to avoid electric shock, fire or injury.
- **Do not** insert fingers, rods or other objects into the air inlet or outlet. This may cause injury, since the fan may be rotating at high speeds.
- **Do not** use flammable sprays such as hair spray, lacquer or paint near the unit. This may cause fire or combustion.
- **Do not** operate the air conditioner in places near or around combustible gases. Emitted gas may collect around the unit and cause explosion.
- **Do not** operate your air conditioner in a wet room such as a bathroom or laundry room. Too much exposure to water can cause electrical components to short circuit.
- **Do not** expose your body directly to cool air for a prolonged period of time.
- **Do not** allow children to play with the air conditioner. Children must be supervised around the unit at all times.
- If the air conditioner is used together with burners or other heating devices, thoroughly ventilate the room to avoid oxygen deficiency.
- In certain functional environments, such as kitchens, server rooms, etc., the use of specially designed air-conditioning units is highly recommended.
- Improper installation, adjustment, alteration, service or maintenance can cause property damage, personal injury or loss of life. Installation and service must be performed by a licensed professional HVAC installer or equivalent, service agency, or the gas supplier.

## CLEANING AND MAINTENANCE WARNINGS

- Turn off the device and disconnect the power before cleaning. Failure to do so can cause electrical shock.
- **Do not** clean the air conditioner with excessive amounts of water.
- **Do not** clean the air conditioner with combustible cleaning agents. Combustible cleaning agents can cause fire or deformation.

### CAUTION

- Turn off the air conditioner and disconnect the power if you are not going to use it for a long time.
- Turn off and unplug the unit during storms.
- Make sure that water condensation can drain unhindered from the unit.
- **Do not** operate the air conditioner with wet hands. This may cause electric shock.
- **Do not** use device for any other purpose than its intended use.
- **Do not** climb onto or place objects on top of the outdoor unit.
- **Do not** allow the air conditioner to operate for long periods of time with doors or windows open, or if the humidity is very high.
- As with any mechanical equipment, contact with sharp sheet metal edges can result in personal injury. Take care while handling this equipment and wear gloves and protective clothing.

### ELECTRICAL WARNINGS

- Only use the specified power cord. If the power cord is damaged, it must be replaced by the manufacturer, its service agent or similarly qualified persons in order to avoid a hazard.
- Keep power plug clean. Remove any dust or grime that accumulates on or around the plug. Dirty plugs can cause fire or electric shock.
- **Do not** pull power cord to unplug unit. Hold the plug firmly and pull it from the outlet. Pulling directly on the cord can damage it, which can lead to fire or electric shock.
- **Do not** modify the length of the power supply cord or use an extension cord to power the unit.
- **Do not** share the electrical outlet with other appliances. Improper or insufficient power supply can cause fire or electrical shock.
- The product must be properly grounded at the time of installation, or electrical shock may occur.
- For all electrical work, follow all local and national wiring standards, regulations, and the Installation Manual. Connect cables tightly, and clamp them securely to prevent external forces from damaging the terminal. Improper electrical connections can overheat and cause fire, and may also cause shock. All electrical connections must be made according to the Electrical Connection Diagram located on the panels of the indoor and outdoor units.
- All wiring must be properly arranged to ensure that the control board cover can close properly. If the control board cover is not closed properly, it can lead to corrosion and cause the connection points on the terminal to heat up, catch fire, or cause electrical shock.
- If connecting power to fixed wiring, an all-pole disconnection device which has at least 3mm clearances in all poles, and have a leakage current that may exceed 10mA, the residual current device(RCD) having a rated residual operating current not exceeding 30mA, and disconnection must be incorporated in the fixed wiring in accordance with the wiring rules.

## TAKE NOTE OF FUSE SPECIFICATIONS

The air conditioner's circuit board (PCB) is designed with a fuse to provide overcurrent protection. The specifications of the fuse are printed on the circuit board ,examples of such are T5A/250VAC and T10A/250VAC.

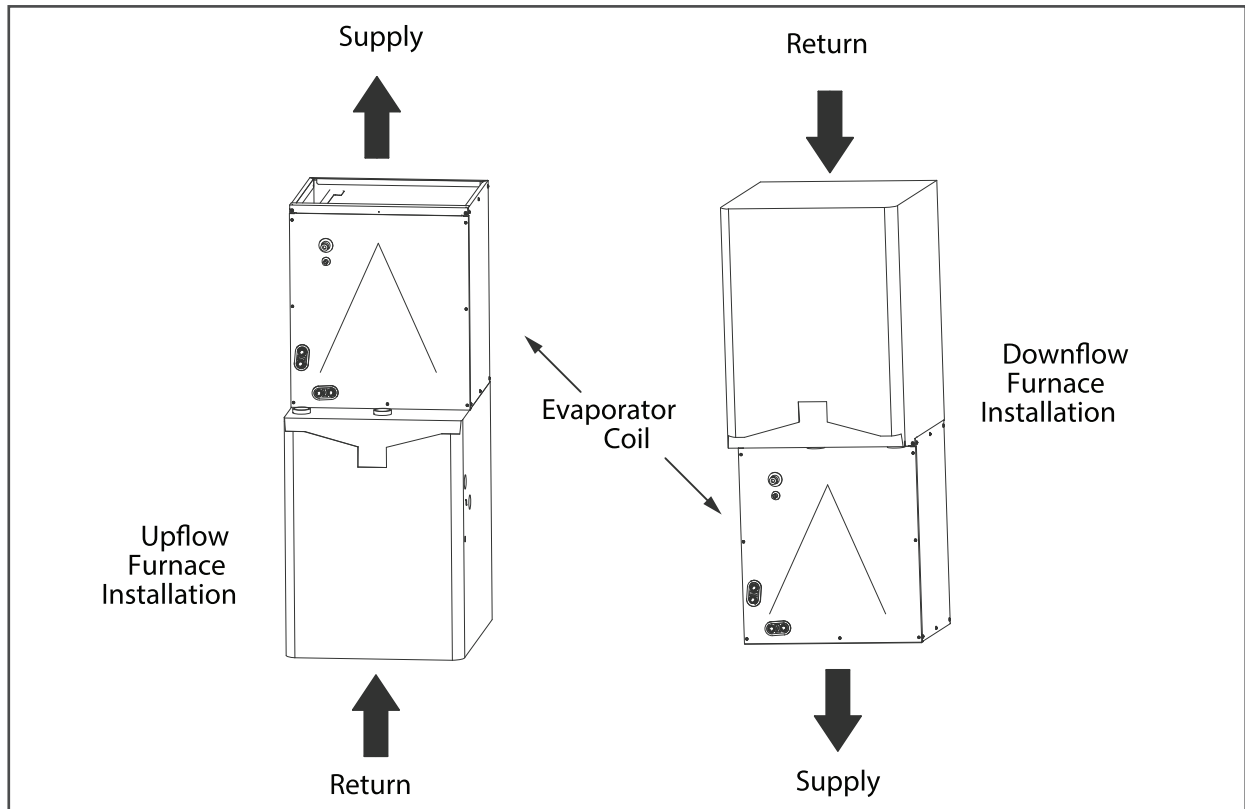
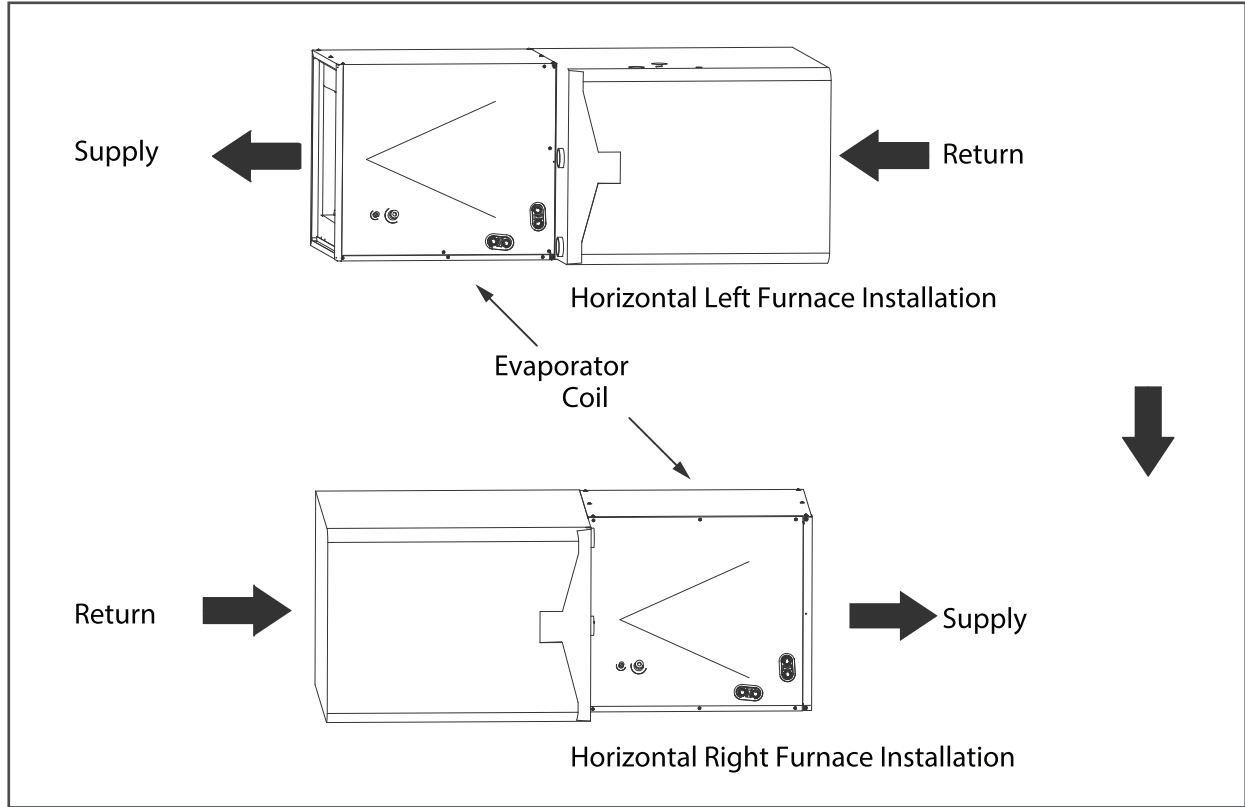


## WARNINGS FOR PRODUCT INSTALLATION

1. Installation must be performed by an authorized dealer or specialist. Defective installation can cause water leakage, electrical shock, or fire.
2. Installation must be performed according to the installation instructions. Improper installation can cause water leakage, electrical shock, or fire.  
(In North America, installation must be performed in accordance with the requirement of NEC and CEC by authorized personnel only.)
3. Contact an authorized service technician for repair or maintenance of this unit. This appliance shall be installed in accordance with national wiring regulations.
4. Only use the included accessories, parts, and specified parts for installation. Using non-standard parts can cause water leakage, electrical shock, fire, and can cause the unit to fail.
5. Install the unit in a firm location that can support the unit's weight. If the chosen location cannot support the unit's weight, or the installation is not done properly, the unit may drop and cause serious injury and damage.
6. Install drainage piping according to the instructions in this manual. Improper drainage may cause water damage to your home and property.
7. For units that have an auxiliary electric heater, **do not** install the unit within 1 meter (3 feet) of any combustible materials.
8. **Do not** install the unit in a location that may be exposed to combustible gas leaks. If combustible gas accumulates around the unit, it may cause fire.
9. Do not turn on the power until all work has been completed.
10. When moving or relocating the air conditioner, consult experienced service technicians for disconnection and reinstallation of the unit.
11. Follow all safety codes. Wear safety glasses, protective clothing, and work gloves. Use quenching cloth for brazing operations. Have fire extinguisher available.
12. Excessive Weight Hazard - Use two or more people when moving and installing the unit. Failure to do so can result in back or other type of injury.
13. Take precautions to ensure Aluminum tubes do not come in direct contact or allow for condensate run off with a dissimilar metal. Dissimilar metals can cause galvanic corrosion and possible premature failure.
14. Failure to follow this caution may result in personal injury.  
Sheet metal parts may have sharp edges or burrs. Use care and wear appropriate protective clothing and gloves when handling parts.

# INTRODUCTION

Use this instruction manual to install indoor coil on multipoise furnaces.  
The coil is enclosed in a casing.



Typical Coil Installation on Furnace

# INSTALLATION

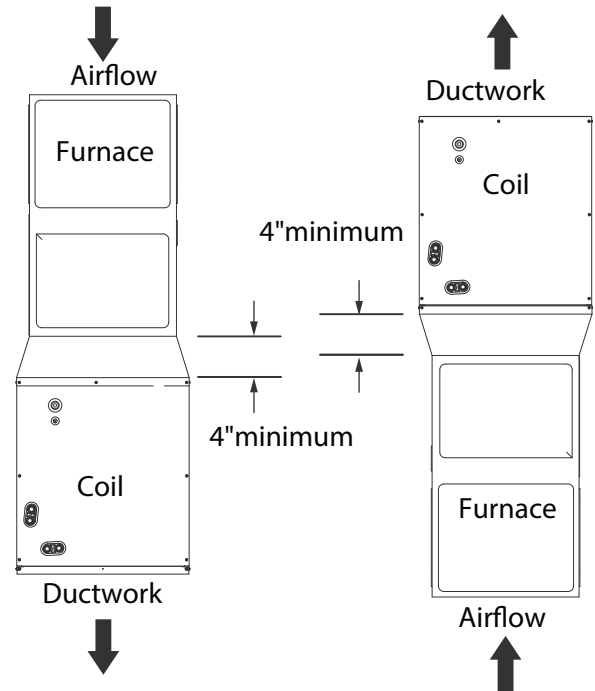
## INSTALLATION OF EVAPORATOR COILS

### Upflow coil installation

The cased coil is designed to fit furnaces of the same width.

1. Set coil in place on upflow furnace discharge air opening.
2. Ensure coil is level for proper condensate drainage. Do not tip coil toward condensate drain. Coil casing need not be fastened or screwed to furnace.
3. When installing wider coil on narrow furnace, create field fabricated adapter.

Installation

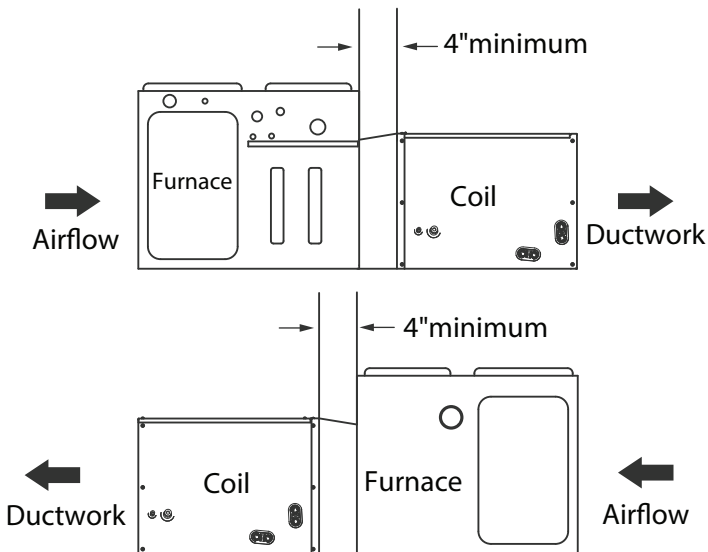


Vertical Upflow & Downflow Installation

Adapter(s) Installation When Coil Overhangs Furnace

NOTE: On upflow installations where the indoor coil is placed in an unconditioned space, a 6" wide piece of insulation should be applied and wrapped around the outside of coil casing and supply duct contact point.

NOTE: Consult the furnace installation instructions for any special requirements when installing the coil to the furnace.

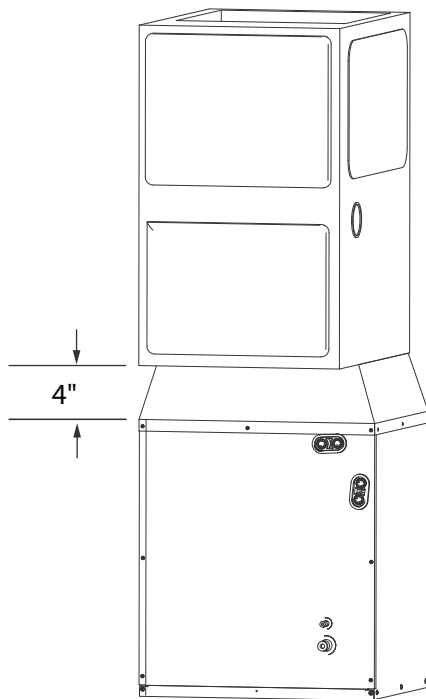


Horizontal Right & Left Installation



## Downflow Coil Installation

**IMPORTANT:** Installing "A" coils rotated 90 degrees from the front of the furnace in downflow applications can cause water blow off or coil freeze up. This is due to the concentration of air on one coil slab or lack of air on the opposite coil slab. If the airflow is high due to ductwork or other causes, and there is a chance for water blow off, it is recommended that a 4-in. minimum field-supplied adapter be placed between the coil and the furnace to allow the air to distribute evenly to both coil slabs.



### Downflow Installation with Coil Rotated 90°

4. Set cased coil on supply duct opening.
5. Place field fabricated 4-in. minimum adapter on coil casing. Adapter should be tapered to fit coil/furnace combination when one of them is larger than the other.
6. Set furnace on adapter.

**NOTE:** In downflow installation with a 4-way multipoise furnace, break off perforated duct flanges on furnace. See furnace installation instructions.

## Horizontal Coil Installation

The unit can be installed on a work platform, secured to roof truss in attic, suspended from hangers on floor joists in crawl space, or installed on blocks. It is designed to allow airflow in either direction, to mate with horizontal-left or horizontal-right furnace installations. Ensure coil cabinet is level side to side and front to back. It is allowable to add up to 1/2-in. additional slope over length and depth of coil cabinet in the direction of drain pan connection.

### Horizontal Right Installation

1. Use field fabricated attachment plates to secure coil to furnace.
2. Use self-tapping screws to mount attachment plates to coil casing.
3. Connect furnace snugly against coil casing.
4. Use self-tapping screws to attach furnace.
5. Seal joint between coil casing and furnace to create an air tight seal using locally approved materials.
6. Use cork tape to create air seal between the undersides of the pan extension and front of the vertical drain pan as shown below.
7. Install included condensate pan extension and two corner screws as shown below.
8. If coil is wider than furnace, use 4-in minimum transition and self tapping screws to attach furnace.

### Horizontal Left Installation

1. Unbend the 4 tabs at the right side of the casing.
2. Connect furnace snugly against coil casing.
3. Use self-tapping screws to attach furnace.
4. Seal joint between coil casing and furnace to create air tight seal using locally approved materials.
5. If coil is wider than furnace, use 4-in. Minimum transition and self tapping screws to attach furnace.

## REFRIGERANT LINE CONNECTIONS

### WARNING

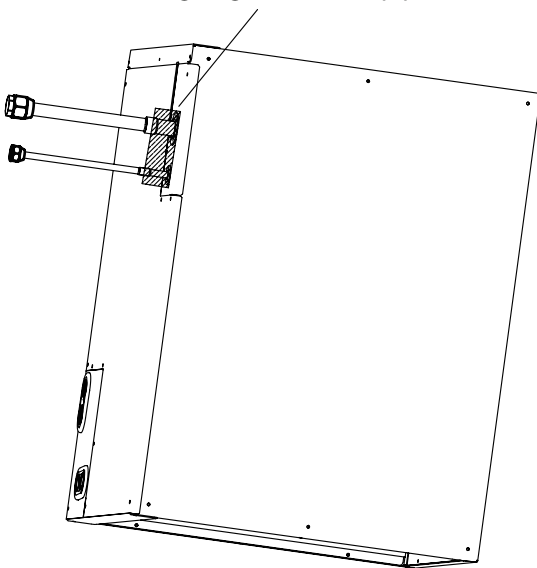
- Failure to follow this warning could result in personal injury. Wear eye protection.
- Coil is factory charged with 15 psi nitrogen. The coil is under pressure and TXV screen is in place behind liquid line plug. **DO NOT** remove liquid line plug first, always remove the suction line plug first to depressurize the coil.

NOTE: Factory nitrogen charge may escape past rubber plugs during storage. This does not indicate a leaking coil nor warrant return of the coil.

Size and install refrigerant lines according to information provided with outdoor unit. Coil connection tube sizes are shown in Table . Route refrigerant lines to the coil in a manner that will not obstruct service access to the unit or removal of the filter.

Do not use damaged, dirty, or contaminated tubing because it may plug refrigerant flow-control device. **ALWAYS** evacuate the coil and field-supplied tubing before opening outdoor unit service valves.

Please cover it with a wet towel when you are going to weld the pipe.



## CONNECT REFRIGERANT, LIQUID, and SUCTION LINES

For matched systems, use line sizes recommended in outdoor unit Installation Instructions.

### CAUTION

Failure to follow this caution may result in property damage. Take precautions to ensure Aluminum tubes do not come in direct contact or allow for condensate run off with a dissimilar metal. Dissimilar metals can cause galvanic corrosion and possible premature failure.

The coil can be connected to outdoor units using field-supplied tubing of refrigerant grade.

Always evacuate tubing and reclaim refrigerant when making connections or flaring tubing. Leak check connections before insulating entire suction line.

See Table for coil connection tube size.

1. Remove cabinet access door.
2. Remove rubber plugs, suction plug then liquid plug, from coil stubs using a pulling and twisting motion. Hold coil stubs steady to avoid bending or distorting.
3. Remove tubing plate with rubber grommets and slide plate with grommets onto the refrigerant lines (field line-set), away from braze joints.
4. Fit refrigerant lines into coil stubs. Wrap a heat sinking material such as a wet cloth behind braze joints.
5. Wrap TXV and nearby tubing with a heat-sinking material such as a wet cloth.
6. Use 1/2 psig Nitrogen purge in the suction and out the the liquid line.
7. Braze using a Sil-Fos or Phos-copper alloy. Do not use soft solder.

8. After brazing, allow joints to cool. Carefully remove TXV bulb insulation and verify that the TXV bulb is securely fastened with hose clamp. Tighten screw a half-turn past hand tight with TXV bulb placed in the indentation with full contact with the vapor line tube. Re-wrap TXV bulb with insulation.
9. Leak check connections before insulating entire suction line.
10. Slide tubing plate with rubber grommets over joints. Position tubing at center of each grommet to ensure an air seal around the tube. Reinstall cabinet door.

### CAUTION

Failure to follow this caution may result in product damage.  
To avoid valve damage to the refrigerant control device while brazing, valves must be wrapped with a heat-sinking material such as a wet cloth.

### REFRIGERANT METERING DEVICE

These Coils have a factory installed zero bleed TXV for use with R-410A refrigerant. Use only with outdoor units designed for R-410A.

NOTE: ALL TXV'S HAVE A FACTORY PRESET SUPERHEAT AND ARE NOT FIELD ADJUSTABLE.

### CAUTION

Failure to follow this caution may result in product damage.  
DO NOT BURY MORE THAN 36 IN. OF REFRIGERANT TUBING IN GROUND. If any section of tubing is buried, there must be a 6 in. vertical rise to the valve connections on the outdoor unit. If more than the recommended length is buried, refrigerant may migrate to cooler buried section during extended periods of unit shutdown, causing refrigerant slugging and possible compressor damage at start-up

### CONDENSATE DRAIN LINE CONNECTION

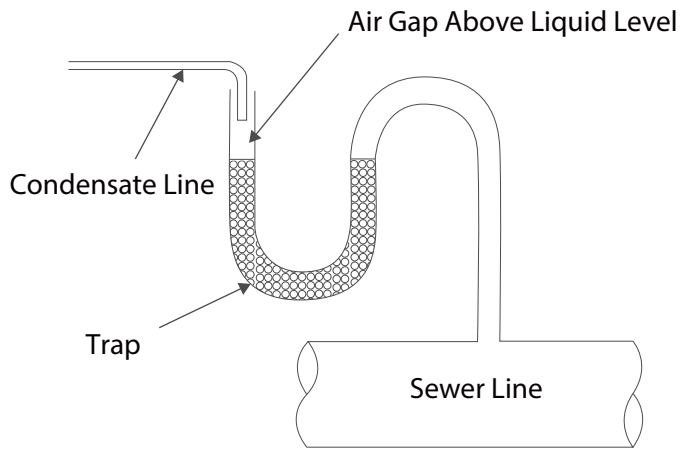
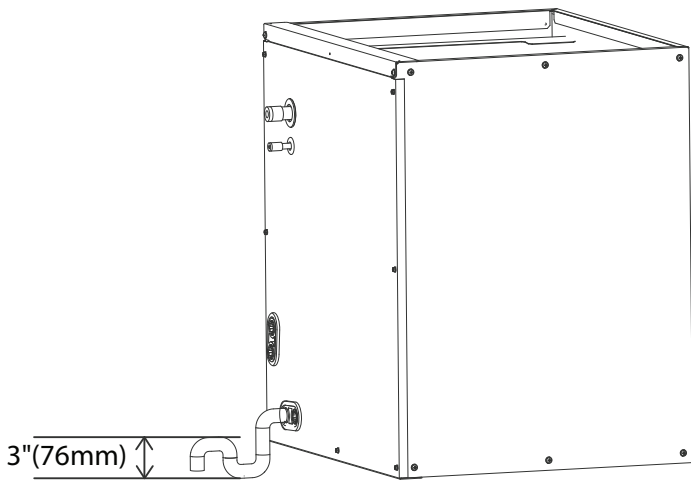
#### CAUTION

Failure to follow this caution may result in property damage.  
When installing over a finished ceiling and/or living area, install a field-fabricated secondary condensate pan under the entire unit.

The coil is designed to dispose of accumulated water through built-in condensate drain fittings. It is recommended that PVC fittings be used on the condensate pan. Do not over-tighten. Finger tighten plus 1-1/2 turns. Be sure to install plastic plug in unused condensate drain fitting. Two 3/4 inch female threaded pipe connections are provided in each coil condensate pan. A trap is not necessary on the condensate line if on the supply air side of furnace. Consult local codes for additional restrictions or precautions. If local codes require a trap then the following guidelines are suggested to assure proper drainage. Install a trap in condensate line of coil as close to the coil as possible. Make trap at least 3 inches (76 mm) deep and no higher than the bottom of unit condensate drain opening. Pitch condensate line 1 inch (25.4 mm) for every 10 ft. of length to an open drain or sump. Make sure that the outlet of each trap is below its connection to condensate pan to prevent condensate from overflowing the drain pan. Prime all traps, test for leaks, and insulate traps and lines if located above a living area.

#### WARNING

- Failure to follow this warning could result in personal injury or death.  
Provide trap with air gap in drain line when connecting to waste (sewer) line.



## WASTE LINE CONNECTION

NOTE: If unit is located in or above a living space, where damage may result from condensate overflow, a field-supplied, external condensate pan should be installed underneath the entire unit, and a secondary condensate line (with appropriate trap) should be run from the unit into the pan. Any condensate in this external condensate pan should be drained to a noticeable place. As an alternative to using an external condensate pan, some localities may allow the running of a separate 3/4 inch (19 mm) condensate line (with appropriate trap) per local code to a place where the condensate will be noticeable. The owner of the structure must be informed that when condensate flows from secondary drain or external condensate pan, the unit requires servicing or water damage will occur. To further protect against water damage, install a float switch to shut the unit off if the water in the secondary pan gets too high.

If the condensate line is to be connected to a waste (sewer) line, an open trap must be installed ahead of the waste line to prevent escape of sewer gases.

# CARE AND MAINTENANCE

To continue high performance and minimize possible equipment failure, it is essential that periodic maintenance be performed on this equipment. Consult your local dealer as to the proper frequency of maintenance, but it should be done at least annually.

The ability to properly perform maintenance on this equipment requires certain mechanical skills and tools. If you do not possess these, contact your dealer for maintenance. The only consumer service recommended or required is filter replacement or cleaning on a monthly basis.



## CAUTION

Failure to follow this caution may result in environmental damage.

Remove and recycle all components or materials (i.e., oil, refrigerant, etc.) before unit final disposal.





**The design and specifications are subject to change without prior notice for product improvement. Consult with the sales agency or manufacturer for details. Any updates to the manual will be uploaded to the service website, please check for the latest version.**

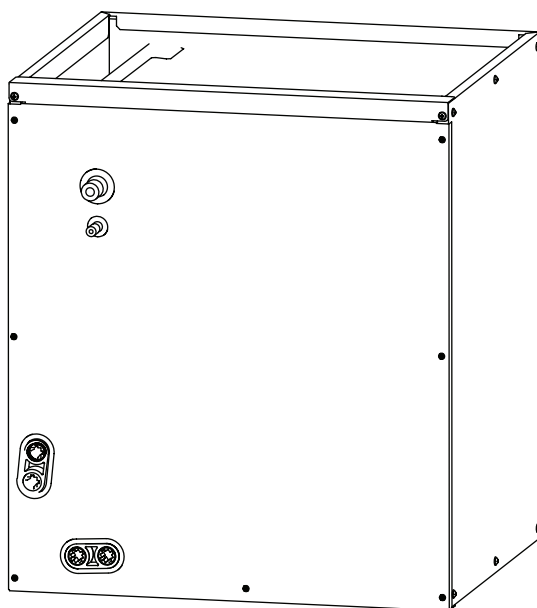


Évaporateur multi position pour thermopompe  
avec TXV - R410A

---

# Manuel d'utilisateur & Manuel d'installation

 **EPLER**



MODÈLE: AZPN/B24WAC  
AZPN/C36WAC

**REMARQUE IMPORTANTE :**



Lisez attentivement ce manuel avant  
d'installer ou d'utiliser votre nouveau  
climatiseur. Veillez à conserver ce manuel  
pour toute référence ultérieure.



# Table des matières

<b>PRÉCAUTIONS DE SÉCURITÉ .....</b>	<b>04</b>
<b>INTRODUCTION .....</b>	<b>07</b>
<b>INSTALLATION.....</b>	<b>08</b>
1. INSPECTER L'ÉQUIPEMENT.....	08
2. INSTALLATION DES SERPENTINS DE L'ÉVAPORATEUR.....	08
3. CONNEXION DE LA LIGNE DE RÉFRIGÉRANT.....	10
4. CONNEXION DU RÉFRIGÉRATEUR.....	10
5. DISPOSITIF DE DOSAGE DU RÉFRIGÉRANT .....	11
6. CONNEXION DE LA LIGNE D'ÉVACUATION DES CONDENSATS .....	11
7. CONNEXION DE LA LIGNE DE DÉCHETS.....	12
<b>ENTRETIEN ET MAINTENANCE .....</b>	<b>13</b>

# PRÉCAUTIONS DE SÉCURITÉ

## Lisez les consignes de sécurité avant l'utilisation et l'installation

Une installation incorrecte en raison d'instructions non respectées peut causer de graves dommages ou des blessures.

La gravité des dommages ou blessures potentiels est classée soit par **AVERTISSEMENT** ou par **ATTENTION**.



### AVERTISSEMENT

Ce symbole indique la possibilité de blessures ou de pertes de vie.



### ATTENTION

Ce symbole indique la possibilité de dommages matériels ou de conséquences graves.



## AVERTISSEMENT

Cet appareil peut être utilisé par des enfants à partir de 8 ans, des personnes ayant des capacités physiques, mentales ou sensorielles limitées, ainsi qu'un manque d'expérience ou de connaissances, uniquement si elles ont reçu au préalable des consignes concernant la sécurité de fonctionnement, si elles sont surveillées et à condition qu'elles comprennent les dangers inhérents à l'usage de cet appareil. Les enfants ne doivent pas jouer avec l'appareil. Le nettoyage et la maintenance ne doivent pas être effectués par des enfants sans surveillance.

Cet appareil n'est pas destiné à être utilisé par des personnes (y compris des enfants) ayant des capacités physiques ou mentales réduites, ou manquant d'expérience et de connaissances, à moins qu'une personne responsable de leur sécurité ne les ait supervisées ou instruites. Les enfants doivent être surveillés pour assurer qu'ils ne jouent pas avec l'appareil.



## AVERTISSEMENTS POUR L'UTILISATION DU PRODUIT

- En cas d'anomalie (comme une odeur de brûlure), il faut éteindre immédiatement l'unité et débrancher l'alimentation. Appelez votre revendeur pour des instructions afin d'éviter le choc électrique, l'incendie ou les blessures.
- **N'insérez pas** les doigts, les tiges ou autres objets dans l'entrée ou la sortie d'air. Cela peut causer des blessures, car le ventilateur peut tourner à haute vitesse.
- **N'utilisez pas** de sprays inflammables tels que la laque pour les cheveux, la laque ou la peinture près de l'unité. Cela peut provoquer un incendie ou une combustion.
- **Ne faites pas** fonctionner le climatiseur à proximité ou autour des gaz combustibles. Les gaz émis peuvent s'accumuler autour de l'unité et provoquer une explosion.
- **Ne faites pas** fonctionner le climatiseur dans une salle humide telle qu'une salle de bain ou une buanderie. Une exposition excessive à l'eau peut provoquer un court-circuit des composants électriques.
- **N'exposez pas** votre corps directement à l'air frais pendant une période de temps prolongée.
- **Ne laissez pas** les enfants jouer autour du climatiseur. Les enfants doivent être surveillés à tout moment autour de l'unité.
- Si le climatiseur est utilisé avec des brûleurs ou d'autres unités de chauffage, aérez entièrement la salle pour éviter une carence en oxygène.
- Dans certains environnements fonctionnels, tels que les cuisines, les salles de serveurs, etc., l'utilisation d'unités de climatisation spécialement conçues est fortement recommandée.
- Une installation, un réglage, une modification, un service ou une maintenance incorrects peuvent provoquer des dommages matériels, des blessures ou des morts. L'installation et l'entretien doivent être effectués par un installateur professionnel agréé HVAC ou équivalent, une agence de service ou le fournisseur de gaz.

## AVERTISSEMENTS DE NETTOYAGE ET DE MAINTENANCE

- Éteignez le dispositif et débranchez l'alimentation avant le nettoyage. La négligence de cette opération peut provoquer un choc électrique.
- **Ne nettoyez pas** le climatiseur avec une quantité excessive d'eau.
- **Ne nettoyez pas** le climatiseur avec des produits de nettoyage inflammables. Les produits de nettoyage combustibles peuvent provoquer un incendie ou une déformation.



### ATTENTION

- Éteignez le climatiseur et débranchez l'alimentation si vous ne l'utilisez pas pendant une longue période.
- Éteignez et débranchez l'unité pendant les tempêtes.
- Assurez-vous que la condensation de l'eau puisse s'écouler sans entrave de l'unité.
- **Ne faites pas** fonctionner le climatiseur avec les mains mouillées. Cela peut provoquer un choc électrique.
- **N'utilisez pas** l'appareil à d'autres fins que l'utilisation prévue.
- **Ne montez pas** sur ou ne placez pas des objets sur le dessus de l'unité extérieure.
- **Ne laissez pas** le climatiseur fonctionner pendant de longues périodes avec des portes ou des fenêtres ouvertes, ou lorsque l'humidité est très élevée.
- Comme pour tout équipement mécanique, le contact avec des bords de tôle tranchants peut entraîner des blessures corporelles. Faites attention lors des opérations de cet équipement et portez des gants et des vêtements de protection.



### AVERTISSEMENTS ÉLECTRIQUES

- Utilisez uniquement le câble d'alimentation spécifié. Si le câble d'alimentation est endommagé, ce câble doit être remplacé par le fabricant, son agent de service ou des personnes de qualification similaire pour éviter tout risque.
- Gardez la fiche d'alimentation propre. Enlevez toute la poussière ou la saleté s'accumulant sur ou autour de la fiche. Des fiches sales peuvent provoquer un incendie ou un choc électrique.
- **Ne tirez pas** le câble d'alimentation pour débrancher l'unité. Tenez fermement la fiche et retirez-la de la prise. Le tirage direct sur le câble peut l'endommager, et provoquer un incendie ou un choc électrique.
- **Ne modifiez pas** la longueur du câble d'alimentation ou n'utilisez pas un câble de rallonge pour alimenter l'unité.
- **Ne partagez pas** la prise électrique avec d'autres appareils. Alimentation incorrecte ou insuffisante peut provoquer un incendie ou un choc électrique.
- Le produit doit être mis à la terre au moment de l'installation, sinon, le choc électrique peut-être se produire.
- Pour tous les opérations sous tension, veuillez suivre toutes les normes de câblage locales et nationales, les réglementations et le manuel d'installation. Connectez les câbles étroitement et les serrez fermement pour éviter que des forces externes n'endommagent le terminal. Des connexions électriques incorrectes peuvent surchauffer et provoquer un incendie, ainsi que des chocs. Tous les raccordements électriques doivent être effectués conformément au schéma de raccordement électrique situé sur les panneaux des unités intérieures et extérieures.
- Tout le câblage doit être correctement disposé pour que le couvercle du tableau de commande puisse se fermer correctement. Si le couvercle du panneau de commande n'est pas correctement fermé, cela peut entraîner de la corrosion et provoquer les points de connexion sur la borne à chauffer, s'enflammer ou provoquer un choc électrique.
- Si vous raccordez l'alimentation à un câblage fixe, un dispositif de déconnexion tout pôle ayant au moins 3mm d'espacement dans tous les pôles et un courant de fuite pouvant dépasser 10mA, le dispositif à courant différentiel résiduel ayant un courant de fonctionnement résiduel nominal ne dépassant pas 30mA, et la déconnexion doit être intégrée au câblage fixe conformément aux règles de câblage.

## PRENEZ NOTE DES SPÉCIFICATIONS DU FUSIBLE

La carte de circuit imprimé du climatiseur est conçue avec un fusible pour fournir une protection contre les surintensités.

Les spécifications du fusible sont imprimées sur la carte de circuit, par exemple T5A/250VAC et T10A/250VAC.



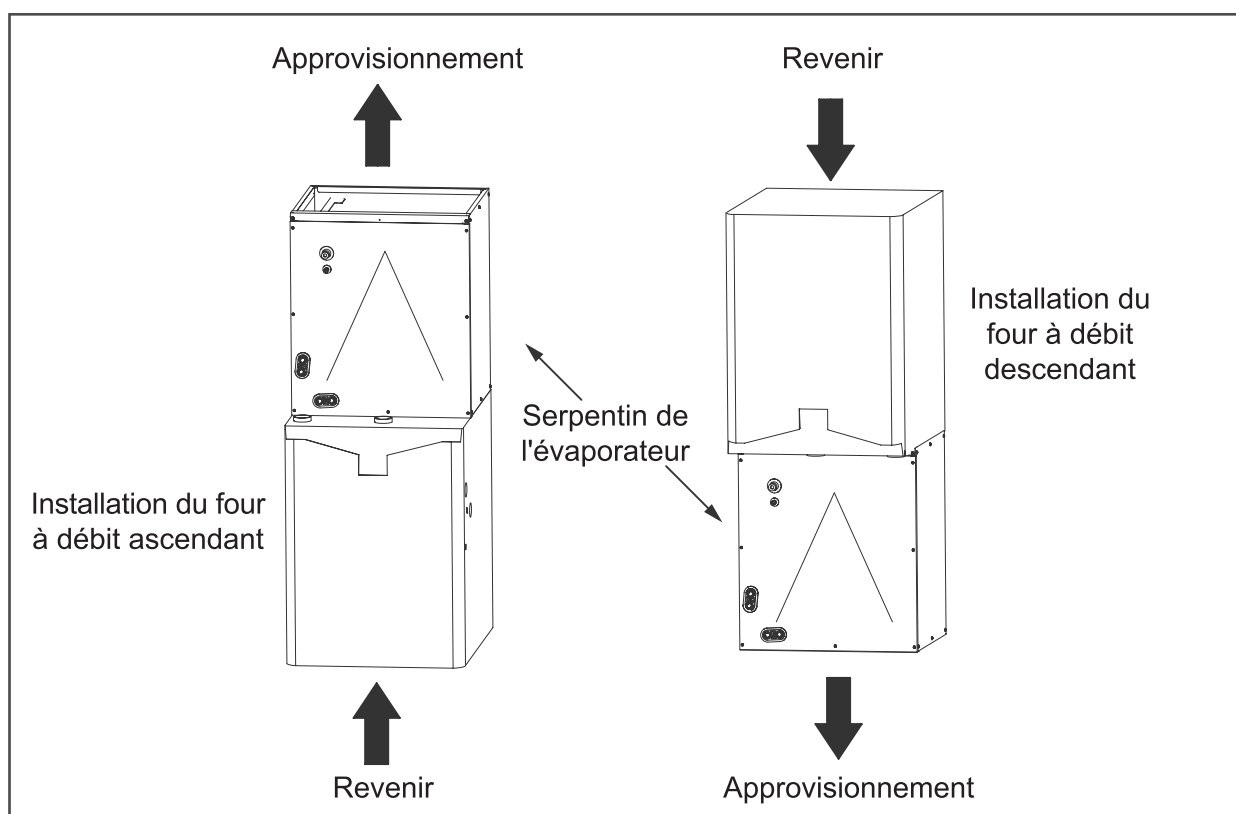
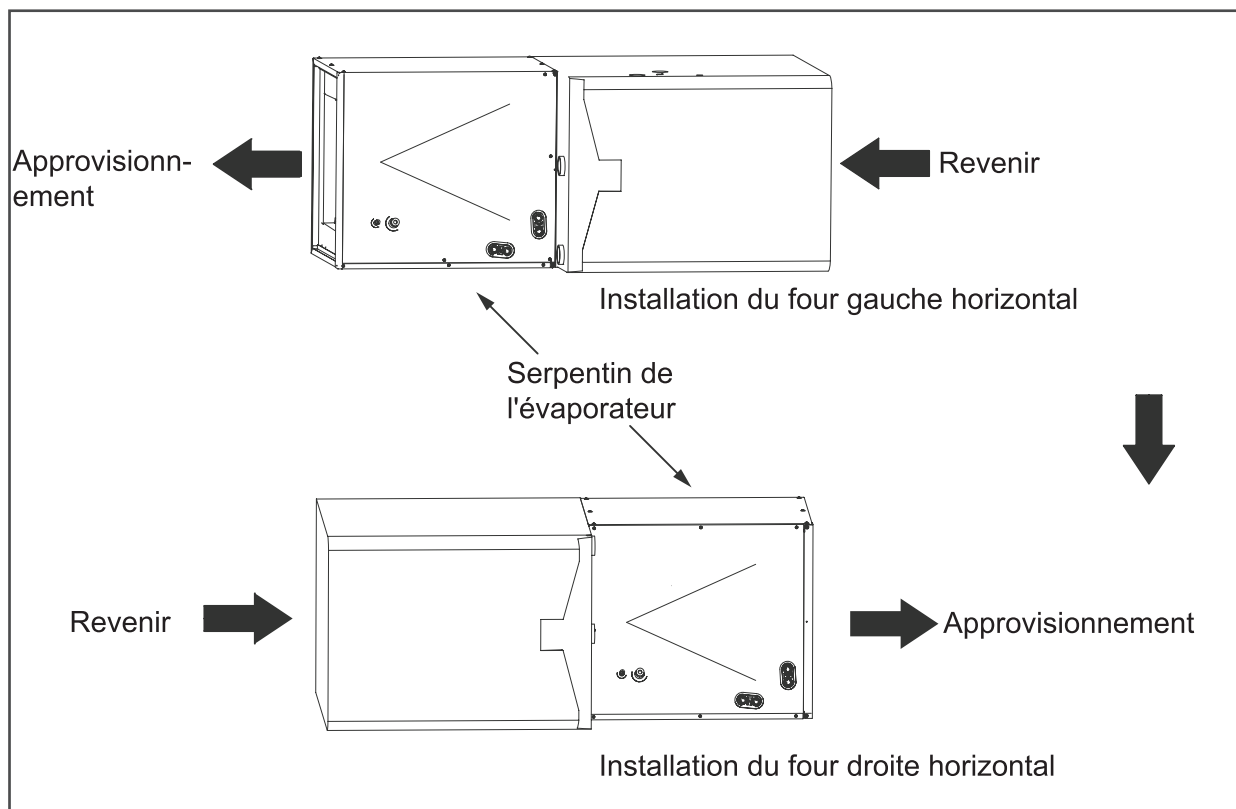
## AVERTISSEMENTS POUR L'INSTALLATION DU PRODUIT

1. L'installation doit être effectuée par un revendeur agréé ou un spécialiste. Une installation défectueuse peut provoquer une fuite d'eau, un choc électrique ou un incendie.
2. L'installation doit être effectuée conformément aux instructions d'installation. Une installation incorrecte peut provoquer une fuite d'eau, un choc électrique ou un incendie.  
(En Amérique du Nord, l'installation doit être uniquement effectuée conformément aux exigences de NEC et CEC par un personnel autorisé.)
3. Contactez un technicien de service autorisé pour la réparation ou la maintenance de la présente unité. L'appareil doit être installé conformément aux réglementations de câblage nationales.
4. Utilisez uniquement les accessoires et les pièces fournis, ainsi que les outils spécifiés pour l'installation. L'utilisation de pièce non standard peut provoquer des fuites d'eau, des chocs électriques, des incendies et des dommages à l'unité.
5. Installez l'unité dans un emplacement ferme étant capable de supporter son poids. Si l'emplacement choisi ne peut pas supporter le poids de l'unité ou si l'installation n'est pas effectuée correctement, l'unité peut tomber et subir des blessures graves et des dommages.
6. Installez la tuyauterie de drainage conformément aux instructions de ce manuel. Un drainage insuffisant peut provoquer des dégâts d'eau à votre maison et vos biens.
7. Pour les unités équipées d'un chauffage électrique auxiliaire, **n'installez pas** l'unité à moins de 1 mètre (3 pieds) de tout matériau combustible.
8. **N'installez pas** l'unité dans un endroit pouvant être exposé à fuite des gaz combustibles. Si le gaz combustible s'accumule autour de l'unité, cela peut provoquer l'incendie.
9. Ne démarrez pas l'unité que lorsque tous les travaux sont terminés.
10. Lors du déplacement de climatiseur, consultez des techniciens de service expérimentés pour le débrancher et le réinstaller.
11. Respectez tous les codes de sécurité. Portez des lunettes de sécurité, des vêtements de protection et des gants de travail. Utilisez un tissu de trempe pour les opérations de brasage. Disposez d'un extincteur.
12. Risque de poids excessif - Faites appel à deux personnes ou plus pour déplacer et installer l'unité. Le non-respect de cette consigne peut entraîner des blessures au dos ou d'autres types.
13. Prenez des précautions pour vous assurer que les tubes en aluminium n'entrent pas en contact direct ou ne permettent pas l'écoulement du condensat avec un métal dissemblable. Des métaux dissemblables peuvent provoquer une corrosion galvanique et une éventuelle défaillance prématurée.
14. Le non-respect de cet avertissement peut entraîner des blessures corporelles.  
Les pièces en tôle peuvent présenter des arêtes vives ou des bavures. Faites attention et portez des vêtements et des gants de protection appropriés lorsque vous manipulez des pièces.

# INTRODUCTION

Utilisez ce manuel d'instructions pour installer le serpentin intérieur sur les fours multifonctionnels.

Le serpentin est enfermé dans un boîtier.



Installation typique d'un serpentin sur le four

# INTRODUCTION

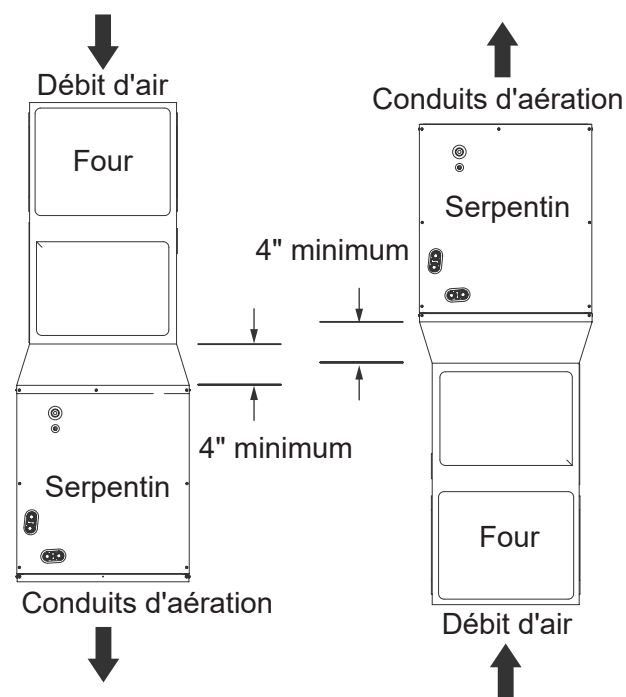
## INSTALLATION DES SERPENTINS DE L'ÉVAPORATEUR

### Installation d'un serpentin à débit ascendant

Le serpentin tubulaire est conçu pour s'adapter aux fours de la même largeur.

1. Mettez le serpentin en place sur l'ouverture d'air de décharge du four à écoulement ascendant.
2. Assurez-vous que le serpentin est de niveau pour une bonne évacuation des condensats. N'inclinez pas le serpentin vers l'évacuation des condensats. L'enveloppe du serpentin ne doit pas être fixée ou vissée au four.
3. Lors de l'installation d'un serpentin plus large sur un four étroit, créez un adaptateur fabriqué à l'ancienne.

Installation

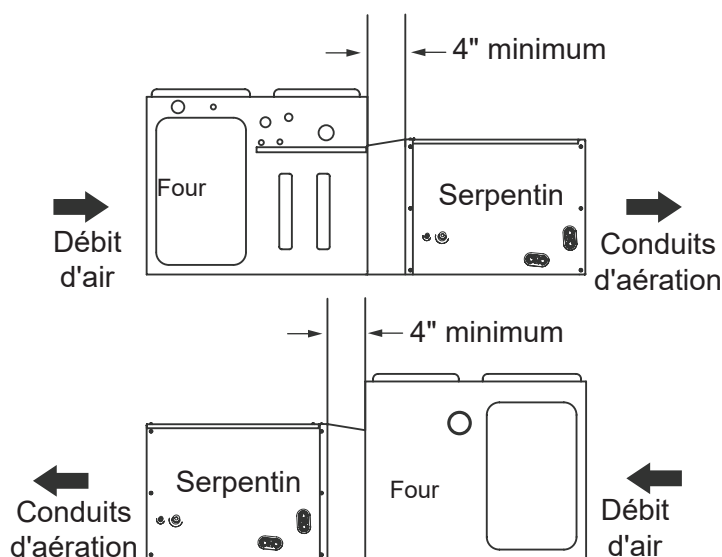


Installation verticale de débit ascendant et descendant

Adaptateur(s) Installation lorsque le serpentin surplombe le four

**REMARQUE :** Sur les installations à débit ascendant où le serpentin intérieur est placé dans un espace non conditionné, un morceau d'isolation de 6" de large doit être appliqué et enroulé autour de l'extérieur du boîtier du serpentin et du point de contact du conduit d'alimentation.

**REMARQUE :** Consultez les instructions d'installation de la fournaise pour toute exigence particulière lors de l'installation du serpentin au four.

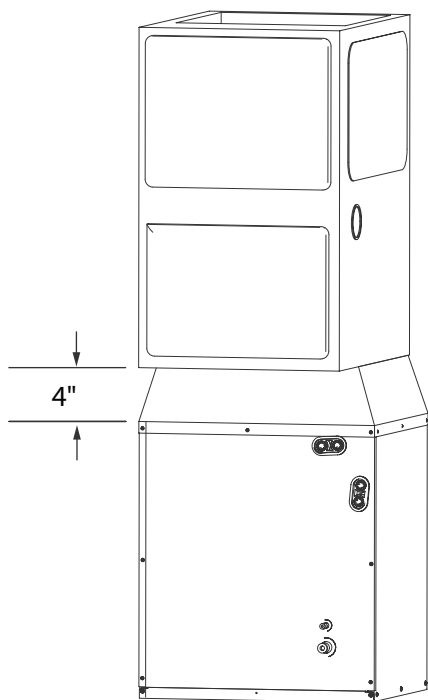


Installation horizontale à droite et à gauche



## Installation d'un serpentín de descente

**IMPORTANT :** L'installation de serpentins « A » tournés à 90 degrés par rapport à l'avant du four dans des applications à débit descendant peut provoquer une fuite d'eau ou le gel du serpentín. Ceci est dû à la concentration d'air sur une plaque de batterie ou au manque d'air sur la plaque de batterie opposée. Si le débit d'air est élevé en raison de la présence de conduits ou d'autres causes, et qu'il y a un risque d'expulsion d'eau, il est recommandé de placer un adaptateur de 4 pouces minimum fourni sur place entre le serpentín et le four pour permettre à l'air de se répartir uniformément sur les deux dalles du serpentín.



Installation en aval avec le serpentín tourné de 90°.

- Placez le serpentín à gaine sur l'ouverture du conduit d'alimentation.
- Placez l'adaptateur de 4 pouces minimum fabriqué sur place sur l'enveloppe du serpentín. L'adaptateur doit être effilé pour s'adapter à la combinaison serpentín/four lorsque l'un d'eux est plus grand que l'autre.
- Placez le four sur l'adaptateur.

**REMARQUE :** Dans le cas d'une installation à débit descendant avec un four multifonctionnel à 4 voies, rompez les brides de conduit perforées sur la chaudière. Voir les instructions d'installation du four.

## Installation de serpentins horizontaux

L'unité peut être installée sur une plateforme de travail, fixée à la ferme du toit dans le grenier, suspendue à des cintres sur les solives du plancher dans le vide sanitaire,

ou installée sur des blocs. Il est conçu pour permettre la circulation de l'air dans les deux sens, afin de s'adapter aux installations de fours horizontaux à gauche ou à droite. Assurez-vous que l'armoire à serpentins est de niveau d'un côté à l'autre et de l'avant à l'arrière. Il est permis d'ajouter jusqu'à 1/2 pouce de pente supplémentaire sur la longueur et la profondeur de l'armoire du serpentín dans la direction du raccordement du bac de vidange.

## Installation horizontale droite

- Utilisez des plaques de fixation fabriquées sur place pour fixer le serpentín au four.
- Utilisez des vis autotaraudeuses pour monter les plaques de fixation sur le boîtier du serpentín.
- Raccordez le four à l'enveloppe du serpentín en le serrant bien.
- Utilisez des vis autotaraudeuses pour fixer le four.
- Scellez le joint entre l'enveloppe du serpentín et le four pour créer un joint étanche à l'air en utilisant des matériaux approuvés localement.
- Utilisez du ruban de liège pour créer un joint d'étanchéité à l'air entre le dessous de l'extension du bac et l'avant du bac de drainage vertical, comme illustré ci-dessous.
- Installez la rallonge de bac à condensat incluse et les deux vis d'angle comme indiqué ci-dessous.
- Si le serpentín est plus large que le four, utilisez une transition de 4 pouces minimum et des vis autotaraudeuses pour fixer la fournaise.

## Installation horizontale gauche

- Dépliez les 4 languettes sur le côté droit du boîtier.
- Raccordez le four à l'enveloppe du serpentín en le serrant bien.
- Utilisez des vis autotaraudeuses pour fixer le four.
- Scellez le joint entre l'enveloppe du serpentín et le four pour créer un joint étanche à l'air en utilisant des matériaux approuvés localement.
- Si le serpentín est plus large que le four, utilisez une transition minimale de 4 pouces et des vis autotaraudeuses pour fixer la fournaise.

## CONNEXIONS DES LIGNES DE RÉFRIGÉRANT



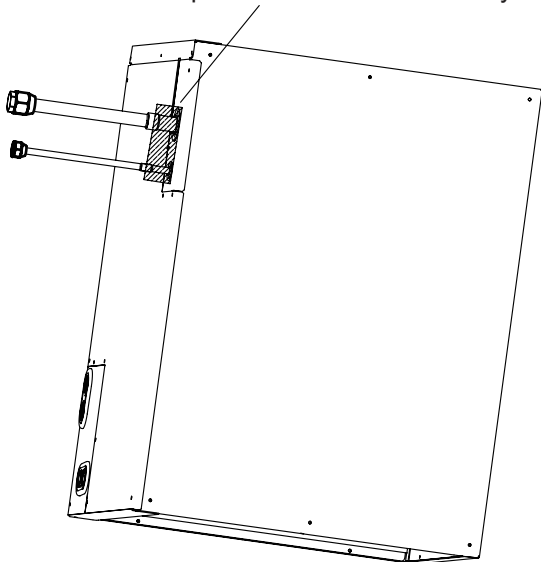
### AVERTISSEMENT

- Le non-respect de cet avertissement peut entraîner des blessures corporelles. Portez des lunettes de protection.
- Le serpentin est chargé en usine avec de l'azote à 15 psi. Le serpentin est sous pression et l'écran TXV est en place derrière le bouchon de la ligne liquide. NE PAS retirer le bouchon de la conduite de liquide en premier, mais toujours le bouchon de la conduite d'aspiration en premier pour dépressuriser le serpentin.

REMARQUE : La charge d'azote de l'usine peut s'échapper des bouchons en caoutchouc pendant le stockage. Cela n'indique pas que le serpentin fuit et ne justifie pas le retour du serpentin.

Dimensionnez et installez les conduites de réfrigérant conformément aux informations fournies avec l'unité extérieure. Les dimensions des tubes de raccordement des serpentins sont indiquées dans le tableau. Acheminez les conduites de réfrigérant vers le serpentin de manière à ne pas entraver l'accès à l'unité pour l'entretien ou le retrait du filtre. N'utilisez pas de tuyaux endommagés, sales ou contaminés, car ils pourraient boucher le dispositif de contrôle du débit de réfrigérant. Évacuez TOUJOURS le serpentin et les tuyaux fournis par le client avant d'ouvrir les vannes de service de l'unité extérieure.

Recouvrez-le d'une serviette humide lorsque vous allez souder le tuyau.



## CONNECTEZ LES LIGNES DE REFRIGERANT, DE LIQUIDE, ET D'ASPIRATION

Pour les systèmes appariés utilisez les tailles de ligne recommandées dans les instructions d'installation de l'unité extérieure.



### ATTENTION

Le non-respect de cet avertissement peut entraîner des dommages matériels. Prenez des précautions pour vous assurer que les tubes en aluminium n'entrent pas en contact direct ou ne permettent pas l'écoulement du condensat avec un métal dissemblable. Des métaux dissemblables peuvent provoquer une corrosion galvanique et une éventuelle défaillance prématurée.

Le serpentin peut être raccordé aux unités extérieures à l'aide de tubes de qualité réfrigérante fournis sur place. Faites toujours le vide dans les tuyaux et récupérez le réfrigérant lorsque vous effectuez des raccordements ou que vous évasez des tuyaux. Vérifiez l'étanchéité des raccords avant d'isoler toute la ligne d'aspiration. Voir le tableau pour la taille du tube de connexion du serpentin.

1. Retirez la porte d'accès à l'armoire.
2. Retirez les bouchons en caoutchouc, le bouchon d'aspiration puis le bouchon de liquide, des bouts de serpentin en les tirant et en les tournant. Tenez les bouts de serpentin de manière stable pour éviter de les plier ou de les déformer.
3. Retirez la plaque de tubes avec les passe-fils en caoutchouc et faites glisser la plaque avec les passe-fils sur les lignes de réfrigérant (jeu de lignes de terrain), à l'écart des joints de brasage.
4. Installez les conduites de réfrigérant dans les raccords du serpentin. Enveloppez un matériau absorbant la chaleur, tel qu'un chiffon humide, derrière les joints de brasure.
5. Enveloppez le TXV et les tuyaux à proximité avec un matériau absorbant la chaleur tel qu'un chiffon humide.
6. Utilisez une purge d'azote à 1/2 psig dans l'aspiration et dans la conduite de liquide.
7. Brasez en utilisant un alliage Sil-Fos ou Phos-cuivre. N'utilisez pas de soudure tendre.

8. Après le brasage, laissez les joints refroidir. Retirez avec précaution l'isolation de la poire TXV et vérifiez que la poire TXV est bien fixée avec un collier de serrage. Serrez la vis d'un demi-tour au-delà du serrage à la main avec la poire du TXV placée dans l'indentation en contact total avec le tube de la conduite de vapeur. Enveloppez à nouveau l'ampoule du TXV avec de l'isolant.
9. Vérifiez l'étanchéité des raccords avant d'isoler toute la ligne d'aspiration.
10. Faites glisser la plaque de tubage avec les œilletons en caoutchouc sur les joints. Placez le tube au centre de chaque œilleton pour assurer l'étanchéité autour du tube. Réinstallez la porte de l'armoire.



### ATTENTION

Le non-respect de cet avertissement peut entraîner des dommages au produit. Pour éviter d'endommager le dispositif de contrôle du réfrigérant lors du brasage, les vannes doivent être enveloppées d'un matériau absorbant la chaleur, tel qu'un chiffon humide.

### DISPOSITIF DE DOSAGE DU RÉFRIGÉRANT

Ces serpentins sont équipés d'un détendeur thermostatique sans purge installé en usine pour l'utilisation du réfrigérant R-410A utiliser uniquement avec les unités extérieures conçues pour le réfrigérant R-410A.

REMARQUE : TOUS LES DÉTENDEURS THERMOSTATIQUES ONT UNE SURCHAUFFE PRÉDÉFINIE EN USINE ET NE SONT PAS RÉGLABLES SUR PLACE.



### ATTENTION

Le non-respect de cet avertissement peut entraîner des dommages au produit. **NE PAS ENTERRER PLUS DE 36 POUCES DE TUBES DE RÉFRIGÉRANT DANS LE SOL.** Si une section du tuyau est enterrée, il doit y avoir une élévation verticale de 6 pouces jusqu'aux raccords de la vanne sur l'unité extérieure. Si la longueur d'enfouissement est supérieure à la longueur recommandée, le réfrigérant peut migrer vers la section enfouie la plus froide pendant les périodes d'arrêt prolongées de l'unité, provoquant une accumulation de réfrigérant et une détérioration possible du compresseur au démarrage.

## CONNEXION DE LA LIGNE D'ÉVACUATION DES CONDENSATS



### ATTENTION

Le non-respect de cet avertissement peut entraîner des dommages matériels.

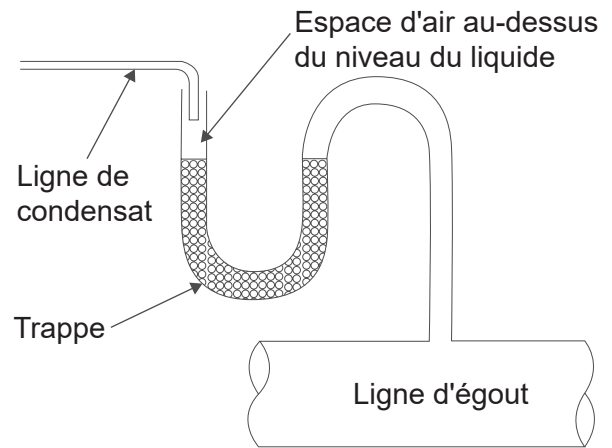
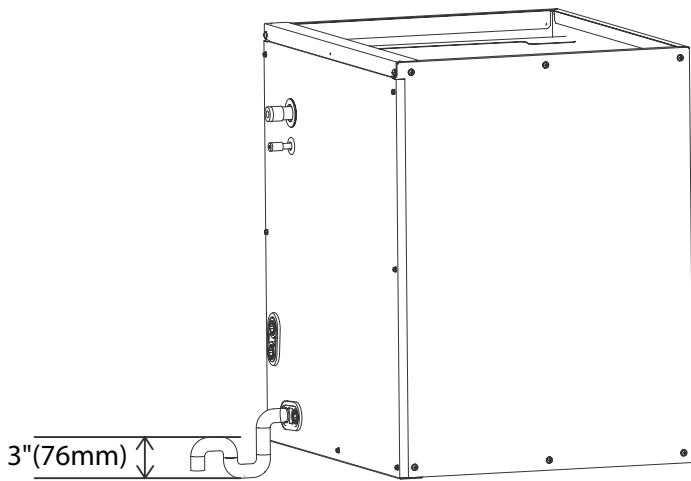
En cas d'installation au-dessus d'un plafond fini et/ou d'une zone de vie, installez un bac à condensats secondaire fabriqué sur place sous l'ensemble de l'unité.

Le serpentin est conçu pour évacuer l'eau accumulée grâce à des raccords intégrés de purge des condensats. Il est recommandé d'utiliser des raccords en PVC sur le bac à condensats. Ne pas trop serrer. Serrez à la main plus 1-1/2 tour. Veillez à installer un bouchon en plastique dans le raccord de vidange du condensat non utilisé. Deux raccords de tuyau filetés femelle de 3/4 pouce sont prévus dans chaque bac à condensat de serpentin. Il n'est pas nécessaire d'installer un piège sur la conduite de condensat si elle se trouve du côté de l'air d'alimentation du four. Consultez les codes locaux pour connaître les restrictions ou les précautions supplémentaires. Si les codes locaux exigent un piège, les directives suivantes sont suggérées pour assurer un drainage correct. Installez un piège dans la conduite de condensat du serpentin, aussi près que possible du serpentin. Le piège doit avoir une profondeur d'au moins 3 pouces (76 mm) et ne doit pas être plus haut que le fond de l'orifice d'évacuation des condensats de l'unité. Faites un pas de 1 pouce (25,4 mm) dans la conduite de condensat pour chaque 10 pieds de longueur vers un drain ouvert ou un puisard. Veillez à ce que la sortie de chaque purgeur se trouve en dessous de son raccordement au bac à condensats pour éviter que les condensats ne débordent du bac. Amorcez tous les pièges, testez les fuites et isolez les pièges et les conduites s'ils sont situés au-dessus d'une zone d'habitation.



### ATTENTION

- Le non-respect de cet avertissement peut entraîner des blessures corporelles ou la mort. Prévoir un piège avec un espace d'air dans la conduite d'évacuation lors du raccordement à la conduite d'évacuation (égout).



**REMARQUE :** Si l'unité est située dans ou au-dessus d'une pièce d'habitation, où des dommages peuvent être causés par un débordement de condensat, un bac à condensat externe fourni sur place doit être installé sous l'ensemble de l'unité, et une conduite de condensat secondaire (avec un piège approprié) doit être acheminée de l'unité au bac. Tout condensat présent dans ce bac à condensat externe doit être évacué vers un endroit visible. Comme alternative à l'utilisation d'un bac à condensat externe, certaines localités peuvent autoriser le passage d'une conduite de condensat séparée de 3/4 de pouce (19 mm) (avec un piège approprié) conformément au code local vers un endroit où le condensat sera visible. Le propriétaire de la structure doit être informé que lorsque le condensat s'écoule du drain secondaire ou du bac à condensat externe, l'unité doit être réparée ou un dégât des eaux se produira. Pour une protection supplémentaire contre les inondations, installez un interrupteur à flotteur pour arrêter l'unité si l'eau dans le bac secondaire devient trop élevée.

## CONNEXION DE LA LIGNE DE DÉCHETS

Si la conduite de condensat doit être raccordée à une conduite d'évacuation (égout), un piège ouvert doit être installé en amont de la conduite d'évacuation pour empêcher les gaz d'égout de s'échapper.

# ENTRETIEN ET MAINTENANCE

Pour maintenir des performances élevées et minimiser les éventuelles défaillances de l'équipement, il est essentiel d'effectuer une maintenance périodique de cet équipement. Consultez votre revendeur local pour connaître la fréquence appropriée de l'entretien, mais celui-ci doit être effectué au moins une fois par an.

La capacité d'effectuer correctement l'entretien de cet équipement exige certaines compétences mécaniques et certains outils. Si vous ne les possédez pas, contactez votre revendeur pour la maintenance. Le seul service au consommateur recommandé ou requis est le remplacement ou le nettoyage du filtre sur une base mensuelle.



## ATTENTION

Le non-respect de cet avertissement peut entraîner des dommages à l'environnement. Retirez et recyclez tous les composants ou matériaux (c'est-à-dire l'huile, le réfrigérant, etc.) avant l'élimination finale de l'unité.





**La conception et les spécifications sont sujettes à changement sans préavis pour l'amélioration du produit. Veuillez consulter l'agence de vente ou le fabricant pour plus de détails. Toute mise à jour du manuel sera téléchargée sur le site web du service, veuillez vérifier la dernière version.**